



# Lighting Systems 24V

Flexible solutions for commercial vehicles



## Contents

Introduction - Ermax Lighting Systems	4
Overview and introduction to plug connections	6
Overview plug type, designation & dimension	8
Contact allocation	11
Material- and symbols explanation	14
Tail lights	15
License plate lights	51
Outer end marker lights	55
Marker lights - position & side markers	63
Rear bumper	70
Reflex reflectors	83
Interior lighting	87
Reverse- and working lights	91
Rear reverse alarm	103
Warning lights	105
Warning beacons	109
SIMAC solutions	115
Cables	119
Wide load marker signs	161
Accessories, cable	171
Junction box	175
Electronic control box	189
Plugs and sockets	197
Cable configuration	205
BPW subsidiaries and agencies	213
Index	217



## ERMAX® - YOUR PARTNER FOR COMPLETE LIGHTING SYSTEMS

### ERMAX A/S

- develops, manufactures and distributes a wide range of products within lighting, junction boxes and cable systems for commercial vehicles and industrial applications.

A unique set-up with a combination of our factory in Denmark and licensed production with our own tools at a number of selected and exclusively certified partners worldwide, offers an extensive, highly competitive and qualitative range of products.

### The Brand - ERMAX®

Founded in 1948 the Ermax® lighting technology has been manufactured for the automotive industry for almost 7 decades.

Ermax is the partner, when it comes to understanding and fulfilling the needs of lighting; with tail lights, warning lights, beacons, side markers or work lights – nowadays bulb, LED as well as in hybrid technologies. These lighting components are being offered within a complete solution concept of ADR approved

cables and, where required, junction boxes as well as mounting hardware. All cable sets are configured with multiple connector types to ensure the best lifetime service ability.

### Why Ermax® Lighting Systems ?

Partnership through quality, reliability and competence.

Our competence in partnering with you, is our extensive experience in being an OEM partner with quality and on time delivery as daily focus to ensure expectations and execution match entirely with your requirements.

All our products hold the necessary certifications for E-marking, IP-protection, ADR-approval and design predecions to ensure exclusive design and durability as well as non-violation of patents.

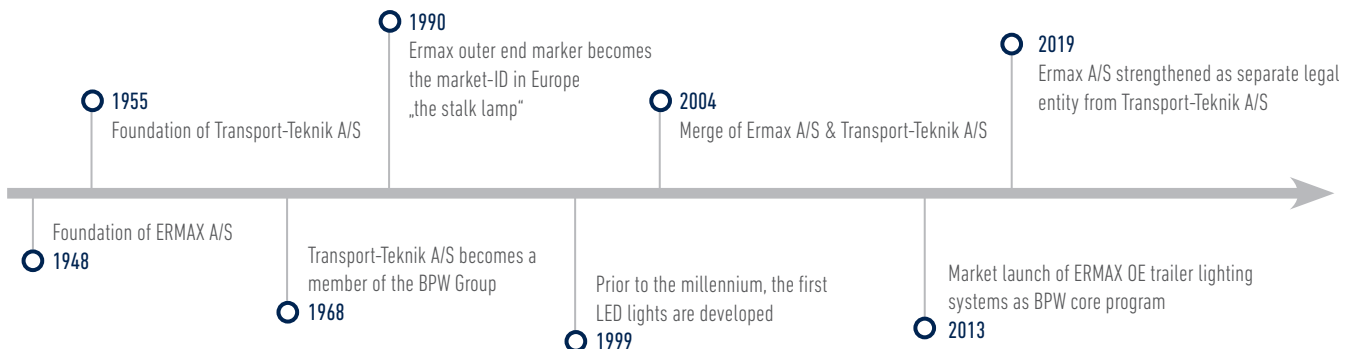
**With reliable and planned processes you will reach your goal safely with us as partner.**



ERMAX A/S, Kolding, Denmark



ERMAX A/S, Copenhagen, Denmark



## DISTRIBUTION NETWORK WORLDWIDE

### Always close to you

As a member of the BPW Group, which operates worldwide, we have an unique sales and distribution network with local offices and support for the benefit of all of our business partners.



## SOLUTIONS - AS INDIVIDUAL AS YOUR TASKS AND REQUIREMENTS

As ERMAL customer you will achieve the following

- High quality for every area
- Vehicle-customised solutions
- Focus at the newest technology and innovative products with recognisable design
- Production companies with development competence under one roof
- Europe-wide after-sales-servicenent

ERMAL lighting systems

- Wide palette including cables, plugs and lights – all built according to customer requirements
- LED and SIMAC control unit built-in tail light
- ADR approved cable kits with 7 pole AMP 1.5 and Super Seal plugs
- Unbeatable, impact resistant and long life solutions

## ERMAX CABLE SYSTEMS FOR 24V

### Overview and introduction to plug connections

Ermax connections consist of 2 poled, 7 poled and 15 poled connections and plug connections – connections of high quality making it easy and simple to mount and maintain. These connections are used in Ermax cable- and lighting systems for trailer 24V and can be combined according to individual requirements from our customers.

All connections are re-moulded and tested according to IP Rating 69K and ADR approved.

#### 2 poled Super Seal



##### 2 poled Super Seal plug and socket

Make mounting of position lights, side marking lights, marking lights and other 2 poled components easy and simple.

100% waterproof

- Easy and simple mounting
- Easy change when damage on the lamp

#### 2 poled Click-in



##### 2 poled click-in

Makes mounting of position lights, side marking lights, marking lights and other 2 poled components easy and simple.

- Easy and simple mounting
- Fast positioning
- Time-consuming parts replacement

#### 7 poled AMP 1.5



7 poled 1.5 used for connecting Ermax rear lights to the cable system. The plug can be used when connecting other extra equipment as e.g. working lights

- Rounded off pin-legs
- Extremely durable connection
- Standard plug connection - usual in the market

## 15 poled Ermax Bayonet



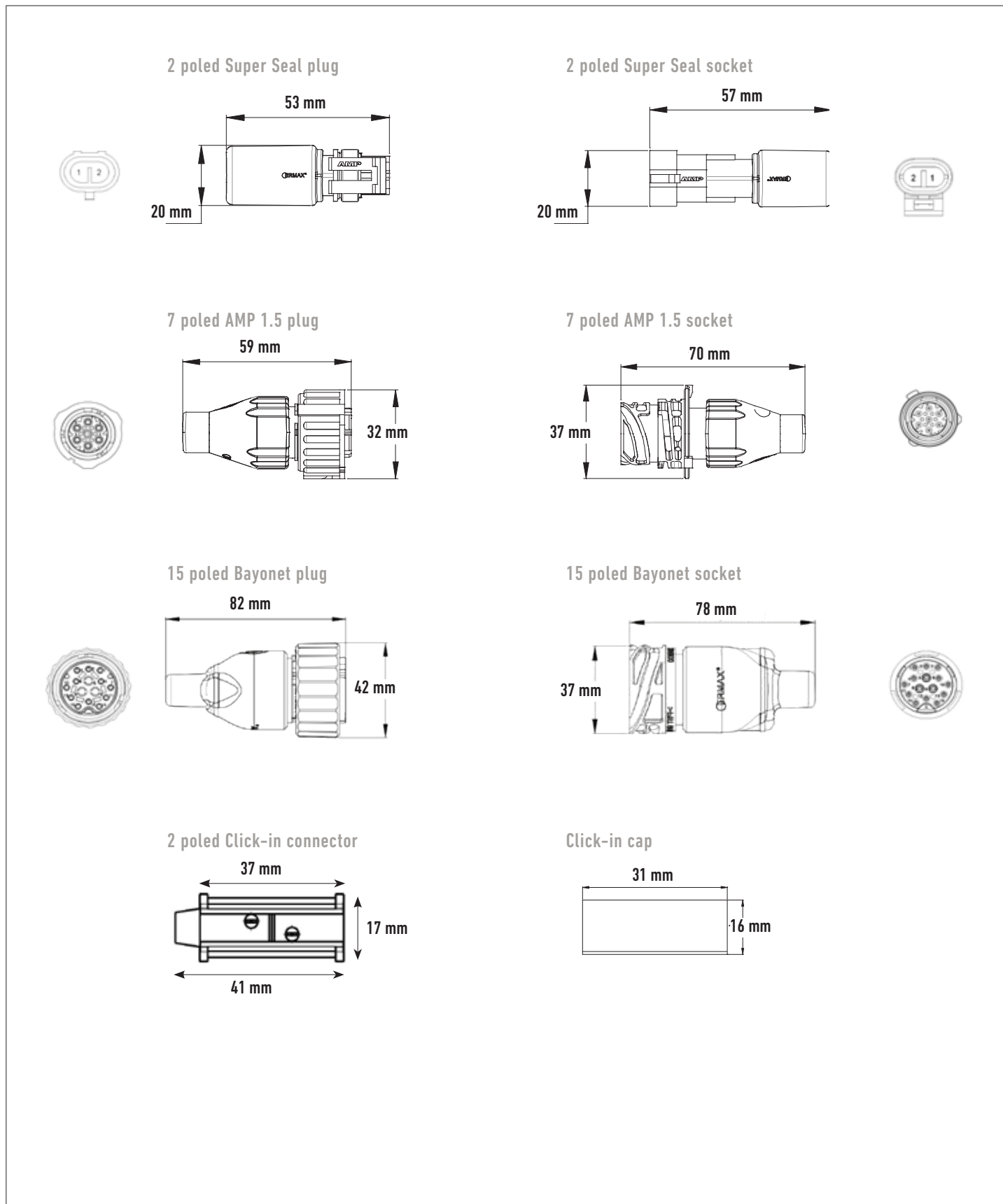
### 15 poled bayonet /ADR

Used for connecting front box, main cable and rear cable and e.g. mounting of connection box.

- Rounded off pin-legs
- Extremely durable connection
- Standard plug connection - usual in the market

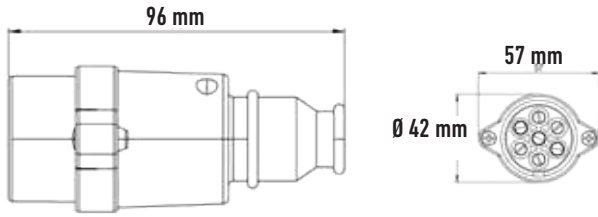
**OVERVIEW - PLUG CONNECTIONS FOR ERMAX OE LIGHTING SYSTEMS**

**Plug type, designation and dimension**

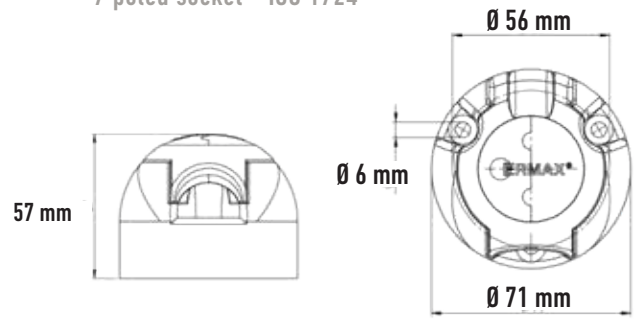




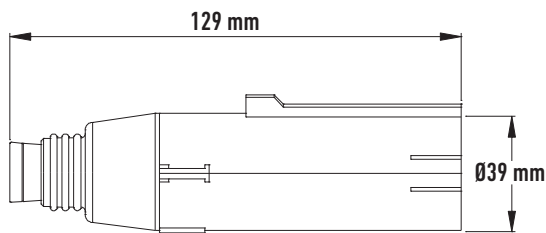
7 poled plug - ISO 1724



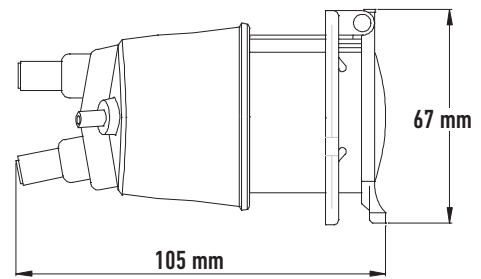
7 poled socket - ISO 1724



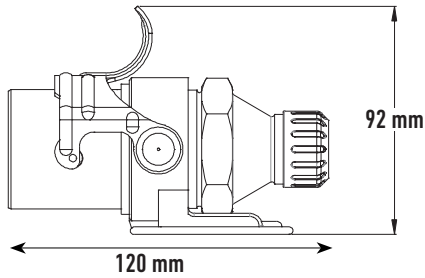
7 poled plug - ISO 3731 / ISO 1185



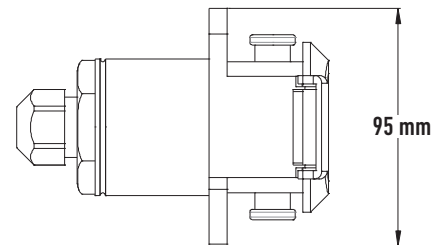
7 poled socket - ISO 3731 / ISO 1185



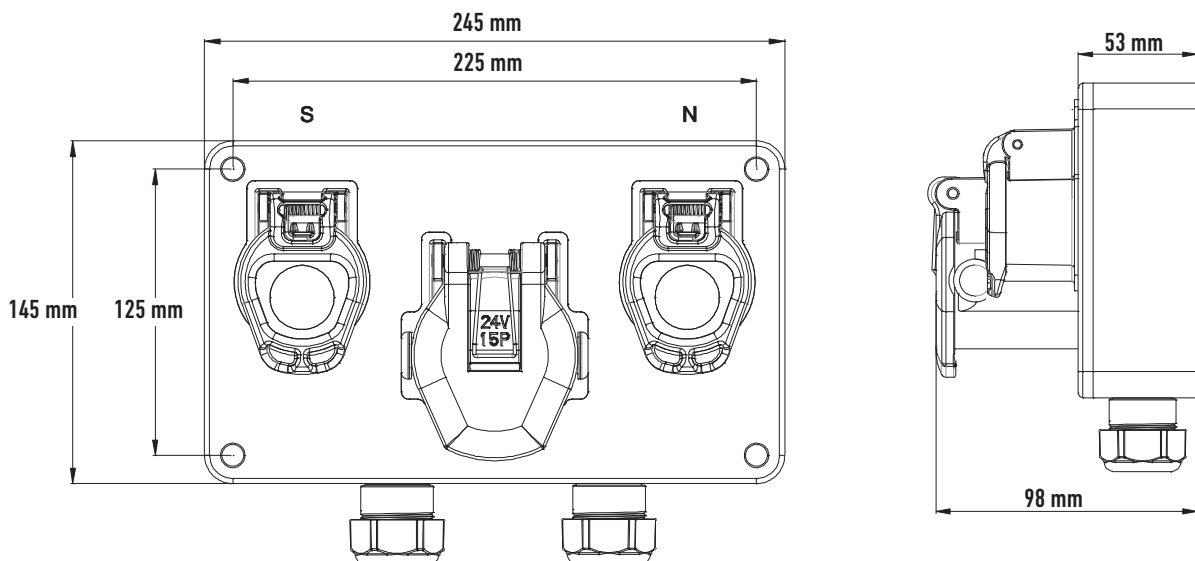
15 poled ADR plug - ISO 12098



15 poled ADR socket - ISO 12098



Frontbox





# CONTACT ALLOCATION

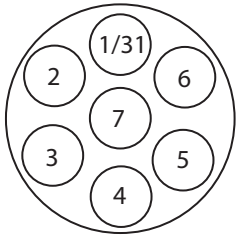


**Pin configuration Type N 24V, 7 poled ISO 1185**

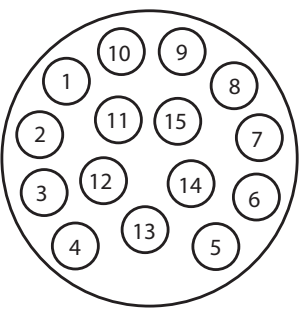
		Colour	Description
	1 / 31	White	Ground
	2 / 58L	Black	Position light left <sup>1)</sup>
	3 / L	Yellow	Direction indicator left
	4 / 54	Red	Stop light
	5 / R	Green	Direction indicator right
	6 / 58R	Brown	Position light right <sup>1)</sup>
	7	Blue	Aux2 / Stop control for trailer

<sup>1)</sup> The license plate must be connected so that no lights of this illumination have common connection with contact 2 and 6

**Pin configuration Type S 24V, 7 poled ISO 3731**


		Colour	Description
	1 / 31	White	Ground for Pin 9-15 ( ISO 12098 )
	2	Black	No allocation ( CANH, Data communication )
	3	Yellow	Reverse light
	4	Red	Permanent power supply (+)
	5	Green	No allocation ( CANL, Data communication )
	6	Brown	Aux3 / lift axle
	7	Blue	Rear fog light

**Pin configuration 24V, 15 poled ISO 12098**

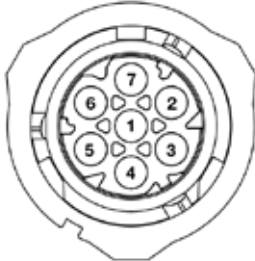
		Colour	Description
	1	Yellow	Direction indicator left
	2	Green	Direction indicator right
	3	Blue	Rear fog light
	4	White	Ground
	5	Black	Position light left <sup>1)</sup>
	6	Brown	Position light right <sup>1)</sup>
	7	Red	Stop light
	8	Pink	Reverse light
	9	Amber	Permanent power supply (+)
	10	Grey	Aux1 / Brake-wear sensor
	11	White/Black	Aux2 / Stop control for trailers
	12	White/Blue	Aux3 / lift axle
	13	White/Red	Ground for Pin 9-15 ( ISO 12098 )
	14	White/Green	CANH / Data communication
	15	White/Brown	CANL / Data communication

<sup>1)</sup> The license plate illumination must be connected so that no lights of this illumination have a common connection with contract nr. 5 and nr. 7


### Pin configuration Ermax 15 poled bayonet plug

		Colour	Description
	1	Black	Position light left
	2	Yellow	Direction indicator left
	3	Red	Stop light
	4	White/Green	CANH / Data communication
	5	White	Ground
	6	Pink	Reverse light
	7	White/ Black	Aux2 / Stop control for trailers
	8	White/Red	Ground for Pin 9-15 ( ISO 12098 )
	9	amber	Permanent power supply (+)
	10	Blue	Rear fog light
	11	Grey	Aux1 / Brake-wear sensor
	12	White/Brown	CANL / Data communication
	13	Brown	Position light right
	14	White/Blue	Aux3 / lift axle
	15	Green	Direction indicator right

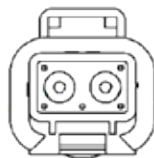
### Pin configuration 7 poled AMP plug

		Colour	Description
	1	White	Ground
	2	Green	Position light
	3	Brown	Reverse light
	4	Yellow	Indicator
	5	Red	Stop light
	6	Blue	Rear fog light
	7	-	-

### Pin configuration Deutsch (DT2) plug 2 poled



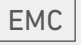



		Colour	Description
	1	Black	Ground
	2	Red	Permanent power supply (+)

### Pin configuration Super Seal plug 2 poled

		Colour	Description
	1	Brown	Ground
	2	Blue	Permanent power supply (+)

## Material- and symbol explanation Ermax lighting

Material explanation	
PMMA	Acrylic plastic (polymethylmethacrylate) The maximum working temperature is 70-110 °C. Melting point 160°
PP	Polypropylene. The maximum working temperature is 80-90°C. Melting point 165°
PC	Impact resistant polycarbonat. The maximum working temperature is 135°C Melting point 300°C
ABS	Termoplast - Black plastic The maximum working temperature is 80-105°C

Symbol explanation	
	ECE Approved
	ECE Approved R65
	Electromagnetic test according to R10
	CE Approved
	ADR/GGVS - Approved for use on vehicles carrying dangerous goods
	Meets guidelines for the use of retro reflective safety markings on heavy vehicles
XA1 / XA2	X - Direction flashing unit A - Amber 1 - Class 1 2 - Class 2



## TAIL LIGHTS

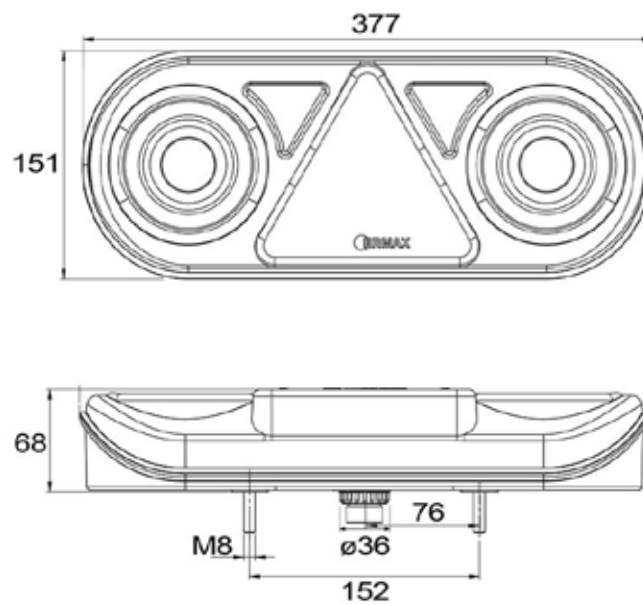
## TM 1 LED Tail lights 24V



Pos.1



Pos. 2



## Description

Lens:	PMMA
Housing:	ABS
Dimension:	380 x 150 x 70 mm
Bolt hole distance:	152 mm / M8



**TM 1 LED Tail lights 24V**

**Functions**

Operation voltage	IP Rating	Left ← Right →	Position Stop Dir. indicator Reverse Rear fog Reflex reflector	License plate	Side marker	Outer end marker	Connection 7 poled AMP socket	Pos.	Article No.
24V	IP69K	←	✓				✓	1	<b>098 216 701</b> 92.0000.1515
24V	IP69K	→	✓				✓	1	<b>098 216 702</b> 92.0000.1516
24V	IP69K	←	✓	✓	✓		✓	1	<b>098 216 707</b> 95.0000.0001
24V	IP69K	→	✓	✓	✓		✓	1	<b>098 216 708</b> 95.0000.0084
24V	IP69K	←	✓			✓	✓	2	<b>098 216 713</b> 92.0000.1519
24V	IP69K	→	✓			✓	✓	2	<b>098 216 714</b> 92.0000.1520
24V	IP69K	←	✓	✓		✓	✓	2	<b>098 216 718</b> 92.0000.1522
24V	IP69K	→	✓	✓		✓	✓	2	<b>098 216 717</b> 92.0000.1521

**Spare parts**


Pos. 1



Pos. 2

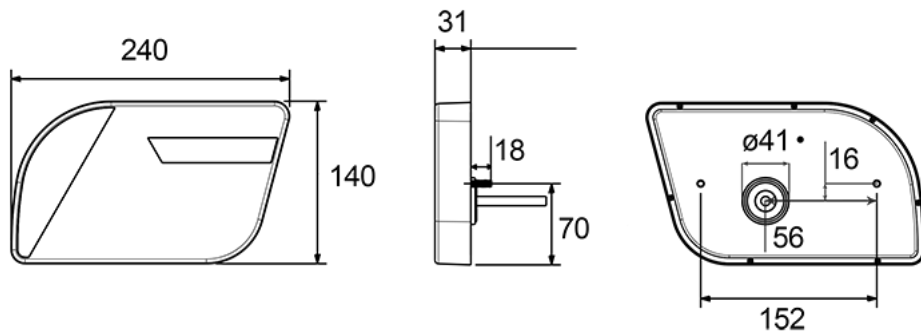


Pos. 3

Protection cover for tail lights		1	<b>098 296 710</b> 92.0000.6877
LED Outer end marker – left		2	<b>098 241 470</b> 92.0000.7347
LED Outer end marker - right		3	<b>098 241 471</b> 92.0000.7348

**TM 3 LED Tail lights with Eternal Light™ 12/24V**

Ⓔ EMC

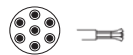


**Description**

Position light with Eternal Light™

Lens: Polycarbonate  
 Housing: ABS  
 Dimension: 240 x 140 x 31 mm  
 Bolt hole distance: 152 mm / M6

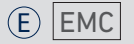
\*) NB - The covers 098296710 are not to be used in combination with angled 7-pin connectors.  
 By use of covers, please choose straight 7-pin connectors



**Functions**

Operation voltage	IP Rating	Left ← Right →	Position Stop Dir. indicator	Reverse Rear fog Reflex reflector	Connection	Cable length	Article No.
12/24V	IP69K	→	✓	✓	7 poled AMP socket		<b>098 215 235 *</b> 92.0000.5463
12/24V	IP69K	←	✓	✓	7 poled AMP socket		<b>098 215 237 *</b> 92.0000.5464
12/24V	IP69K	←	✓	✓	Open end	2.000 mm	<b>098 215 232</b> 92.0000.5476
12/24V	IP69K	→	✓	✓	Open end	2.000 mm	<b>098 215 234</b> 92.0000.5477

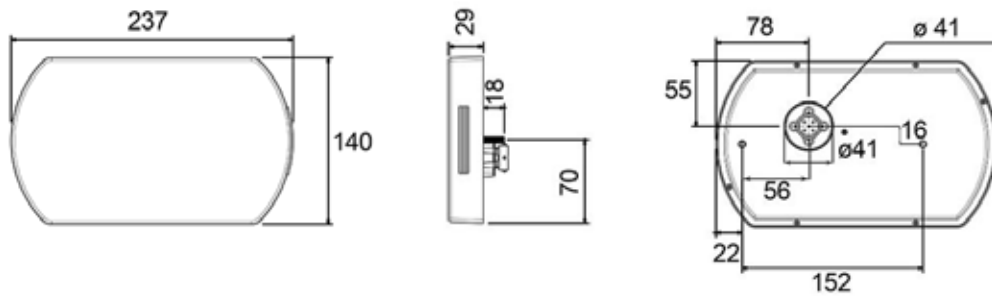
**TM 9 LED Tail lights 12/24V**



Left



Right



**Description**

Lens: Polycarbonate  
 Housing: ABS  
 Dimension: 237 x 140 x 29 mm  
 Bolt hole distance: 152 mm / M6

\*) NB - The covers 098296710 are not to be used in combination with angled 7-pin connectors.  
 By use of covers, please choose straight 7-pin connectors



Functions									
Operation voltage	IP Rating	Left ← Right →	Position Stop Dir. indicator	Reverse	Rear fog	License plate	Reflex reflector	Connection 7 poled AMP socket	Article No.
12/24V	IP69K	←	✓		✓	✓	✓	✓	<b>098 215 171 *</b> 92.0000.6619
12/24V	IP69K	→	✓	✓		✓	✓	✓	<b>098 215 173 *</b> 92.0000.6620

**TM 10 Tail lights 24V - Hybrid or Full-LED for trailer**



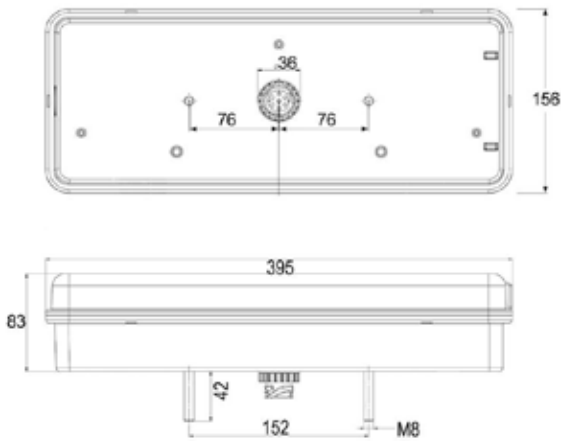
Eternal Light<sup>®</sup>



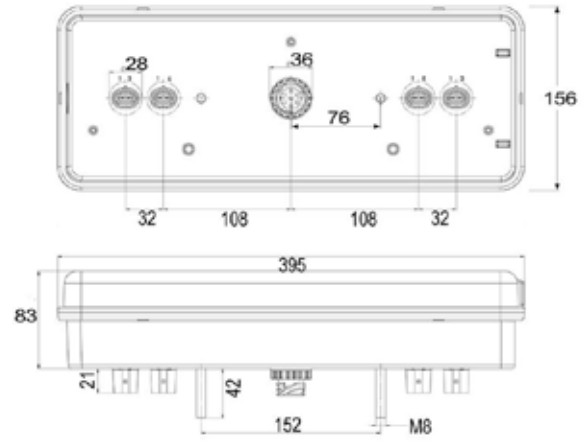
Hybrid



Full-LED

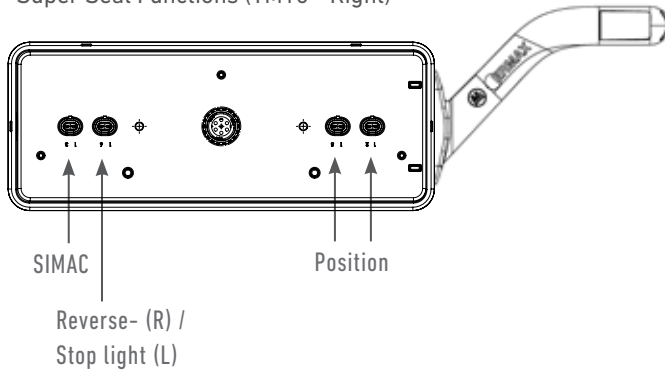


AMP socket placed at the back



AMP socket and 2x2 Super Seal placed at the back

Super Seal Functions (TM10 - Right)



Ex: TM10 with outer end marker light, screw mounted on the side  
098 216 430 / 431  
098 216 530 / 531

**Description**

Lens:	Impact resistant polycarbonate
Housing:	Polypropylen (PP)
Dimension:	390 x 155 x 80 mm
Bolt hole distance:	152 mm / M8



\*) Super Seal Functions for 3 x Position light, 1 x Stop (L) & Reverse (R)

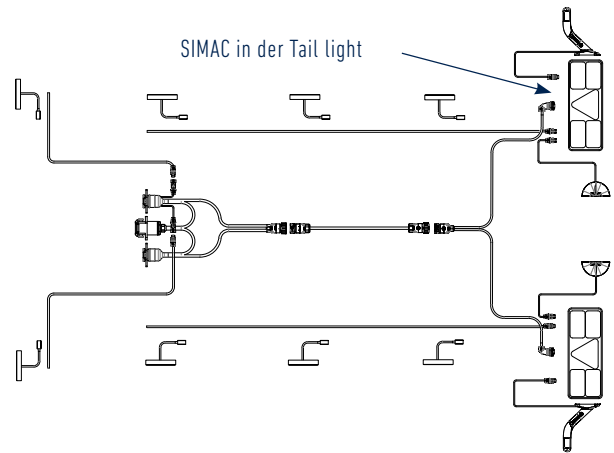
**Outer end marker** (098 241 438 / 098 241 439 (R/L) ) with 300 mm connection cable and Super Seal plug are mounted at the side of the tail light. This allows the outer end marker to be connected to the tail lights or the rear cable with the Super Seal connection.

**TM 10 Tail lights 24V - Hybrid or Full-LED for Trailer**

**Functions**

Type	Operation voltage	IP Rating	Right → Left ←	Position Stop	Dir. indicator	Reverse	Rear fog	Side marker	Reflex reflector	License plate	Outer end marker	Connection 7 poled AMP socket Direction:	2x2 Super Seal Placed at the back*	Article No.
Hybrid	24V	IP54	→			✓						Rear		<b>098 216 400</b> 92.0000.6367
Hybrid	24V	IP54	←			✓						Rear		<b>098 216 401</b> 92.0000.6368
Hybrid	24V	IP54	→			✓				✓		Rear		<b>098 216 402</b> 92.0000.6369
Hybrid	24V	IP54	←			✓				✓		Rear		<b>098 216 403</b> 92.0000.6370
Hybrid	24V	IP54	→			✓						Rear	✓	<b>098 216 404</b> 92.0000.6371
Hybrid	24V	IP54	←			✓						Rear	✓	<b>098 216 405</b> 92.0000.6372
Hybrid	24V	IP54	→			✓				✓		Rear	✓	<b>098 216 406</b> 92.0000.6373
Hybrid	24V	IP54	←			✓				✓		Rear	✓	<b>098 216 407</b> 92.0000.6374
Hybrid	24V	IP54	→			✓					45° (Long)	Rear	✓	<b>098 216 430</b> 92.0000.7788
Hybrid	24V	IP54	←			✓					45° (Long)	Rear	✓	<b>098 216 431</b> 92.0000.7789
Full-LED	24V	IP54	→			✓						Rear		<b>098 216 500</b> 92.0000.6383
Full-LED	24V	IP54	←			✓						Rear		<b>098 216 501</b> 92.0000.6384
Full-LED	24V	IP54	→			✓				✓		Rear		<b>098 216 502</b> 92.0000.6385
Full-LED	24V	IP54	←			✓				✓		Rear		<b>098 216 503</b> 92.0000.6386
Full-LED	24V	IP54	→			✓						Rear	✓	<b>098 216 504</b> 92.0000.6387
Full-LED	24V	IP54	←			✓						Rear	✓	<b>098 216 505</b> 92.0000.6388
Full-LED	24V	IP54	→			✓				✓		Rear	✓	<b>098 216 506</b> 92.0000.6389
Full-LED	24V	IP54	←			✓				✓		Rear	✓	<b>098 216 507</b> 92.0000.6390
Full-LED	24V	IP54	→			✓					45° (Long)	Rear	✓	<b>098 216 530</b> 92.0000.7790
Full-LED	24V	IP54	←			✓					45° (Long)	Rear	✓	<b>098 216 531</b> 92.0000.7791

**TM 10 Tail light 24V - LED for trailer - with Built-in SIMAC® & direction indicator failure control**



**Description**

The TM10 LED tail light from Ermax offers unique functions allowing a particularly simple and time-saving installation – NO additional parts or components are needed.

The TM10 LED Tail light has built-in SIMAC function (side marker lights flashing simultaneously with the tail lights flashing lights) and and a LED control unit monitoring the direction indicators function. A complete tail light with the modern facilities mentioned and with an absolutely very wide range of possibilities. Thanks to the integrated SIMAC function, the side marker lights can be directly and easily connected to the rear side of the TM10 using Super Seal plugs.

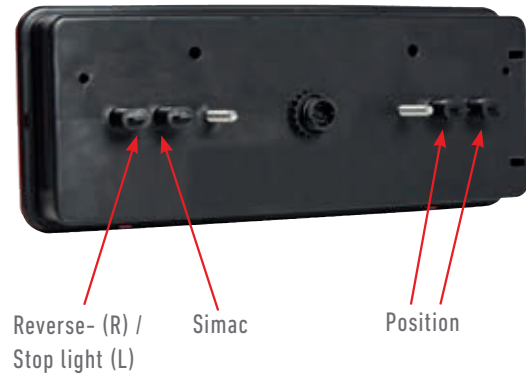
In addition, the TM10 offers the uncomplicated and additional connection of reversing light, license plate light, outer-end markers and a third stop light on the back of the TM10. Thus the cable system is made very simple and cost efficient.

- Lens: Impact resistant polycarbonate
- Housing: Polypropylen (PP)
- Dimension: 390 x 155 x 80 mm
- Bolt hole distance: 152 mm / M8



Functions												Article No.			
Type	Operation voltage	IP Rating	Right → Left ←	Position Stop	Dir. indicator	Reverse	Rear fog	Side marker	Reflex reflector	License plate	Connection 7 poled AMP Direction:		2x2 Super Seal Placed at the back*	SIMAC	Dir. indicator failure control
Full-LED	24V	IP54	→			✓					Rear	✓	✓	✓	<b>098 216 524</b> 92.0000.7376
Full-LED	24V	IP54	←			✓					Rear	✓	✓	✓	<b>098 216 525</b> 92.0000.7377
Full-LED	24V	IP54	→			✓				✓	Rear	✓	✓	✓	<b>098 216 526</b> 92.0000.7540
Full-LED	24V	IP54	←			✓				✓	Rear	✓	✓	✓	<b>098 216 527</b> 92.0000.7541

**TM 10 Tail light 24V - Hybrid for trailer - with Built-in SIMAC®**



**Description**

The TM10 hybrid tail light with built-in SIMAC® (side marker lights flashing simultaneously with the flashing lights) allows a particularly simple and time-saving installation - NO additional parts or components are needed.

Thanks to the integrated SIMAC function, the side marker lights can be directly and easily connected to the rear side of the TM10 using Super Seal plugs.

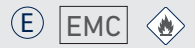
In addition, the TM10 offers the uncomplicated and additional connection of reversing light, license plate light, outer-end markers and a third stop light. The connections are located on the back of the TM10. Thus the cable system is made very simple and cost efficient.

- Lens: Impact resistant polycarbonate
- Housing: Polypropylen (PP)
- Dimension: 390 x 155 x 80 mm
- Bolt hole distance: 152 mm / M8

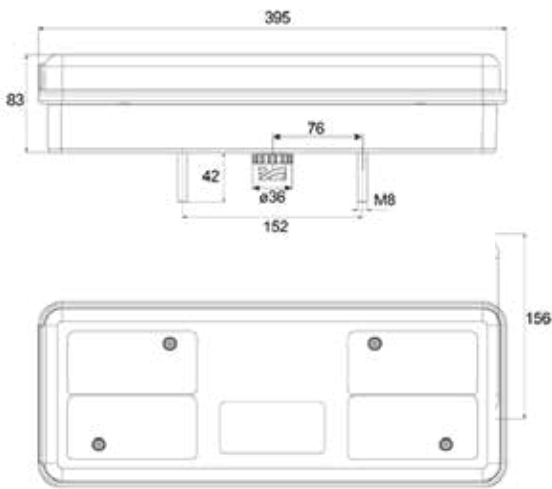


Functions															
Type	Operation voltage	IP Rating	Right → Left ←	Position Stop	Dir. indicator	Reverse	Rear fog	Side marker	Reflex reflector	License plate	Connection 7 poled AMP socket Direction:	2x2 Super Seal Placed at the back*	SIMAC	Dir. indicator failure control	Article No.
Hybrid	24V	IP54	→		✓					-	Rear	✓	✓	-	<b>098 216 424</b> 92.0000.7246
Hybrid	24V	IP54	←		✓					-	Rear	✓	✓	-	<b>098 216 425</b> 92.0000.7247

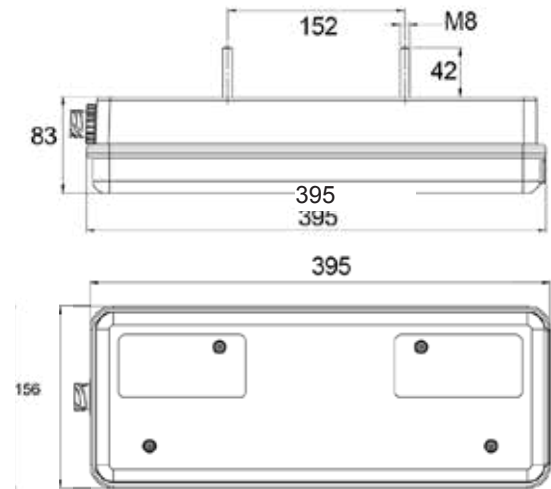
## TM 10 LED Tail lights 24V - Hybrid or Full-LED for truck



Eternal Light®



AMP socket placed at the back



AMP socket placed at the side

**Description**

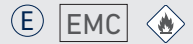
Lens:	Impact resistant polycarbonate
Housing:	Polypropylen (PP)
Dimension:	390 x 155 x 80 mm
Bolt hole distance:	152 mm / M8



**TM 10 LED Tail lights 24V - Hybrid or Full-LED for truck**

**Functions**

Type	Operation voltage	IP Rating	Right → Left ←	Position Stop Dir. indicator	Reverse	Rear fog	Seiten- markierung	Reflex reflector	License plate	Outer end marker	Connection 7 poled AMP 1.5 socket Direction:	Article No.
Hybrid	24V	IP54	→		✓						Rear	<b>098 216 408</b> 92.0000.6375
Hybrid	24V	IP54	←		✓						Rear	<b>098 216 409</b> 92.0000.6376
Hybrid	24V	IP54	→		✓				✓		Rear	<b>098 216 410</b> 92.0000.6377
Hybrid	24V	IP54	←		✓				✓		Rear	<b>098 216 411</b> 92.0000.6378
Hybrid	24V	IP54	→		✓						Side	<b>098 216 412</b> 92.0000.6379
Hybrid	24V	IP54	←		✓						Side	<b>098 216 413</b> 92.0000.6380
Hybrid	24V	IP54	→		✓				✓		Side	<b>098 216 414</b> 92.0000.6381
Hybrid	24V	IP54	←		✓				✓		Side	<b>098 216 415</b> 92.0000.6382
Full-LED	24V	IP54	→		✓						Rear	<b>098 216 508</b> 92.0000.6391
Full-LED	24V	IP54	←		✓						Rear	<b>098 216 509</b> 92.0000.6392
Full-LED	24V	IP54	→		✓				✓		Rear	<b>098 216 510</b> 92.0000.6393
Full-LED	24V	IP54	←		✓				✓		Rear	<b>098 216 511</b> 92.0000.6394
Full-LED	24V	IP54	→		✓						Side	<b>098 216 512</b> 92.0000.6395
Full-LED	24V	IP54	←		✓						Side	<b>098 216 513</b> 92.0000.6396
Full-LED	24V	IP54	→		✓				✓		Side	<b>098 216 514</b> 92.0000.6397
Full-LED	24V	IP54	←		✓				✓		Side	<b>098 216 515</b> 92.0000.6398

**TM 10 LED Tail lights 24V truckversion - Hybrid or full-LED for ex. In-loader****LIGHTING FOR IN-LOADER**

Ligting for an in-loader is often placed horizontally at the vehicle body for utmost protection of the tail light.

For this purpose Ermax produces the TM10 tail light with rectangular reflex reflector giving the possibility for vertical mounting and with the AMP plug behind the house. Warning triangle is mounted separately. The tail light is available as hybrid or full-LED.

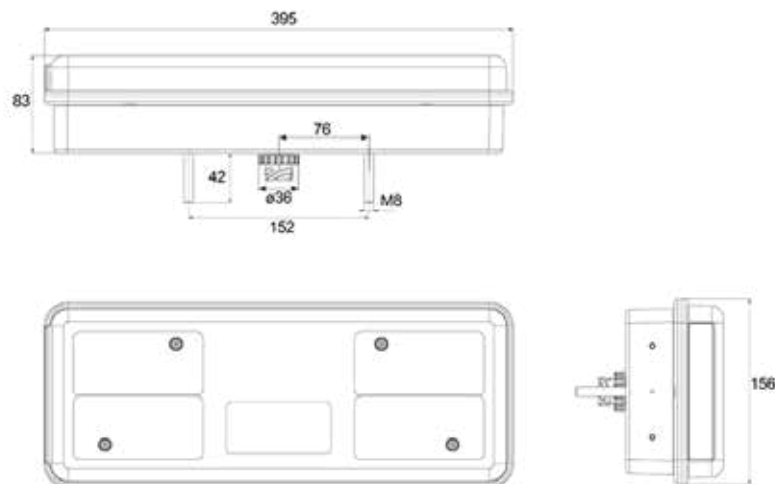
In order to increase the life-time further this lamp is made of the impact-resistant material – polycarbonate – with impact-resistant lens.



Hybrid



Full-LED



AMP socket placed at the back

**Description**

Lens:	Impact resistant polycarbonate
Housing:	Polypropylen (PP)
Dimension:	390 x 155 x 80 mm
Bolt hole distance:	52 mm / M8

**TM 10 LED Tail lights 24V - Hybrid or full-LED for ex. In-loader**

**Funktionen**

Type	Operation voltage	IP Rating	Right → Left ←	Position Stop Dir. indicator	Reverse	Rear fog	Seiten- markierung	Reflex reflector	License plate	Outer end marker	Connection 7 poled AMP 1.5 socket  Direction:	Article No.
Hybrid	24V	IP54	→		✓						Rear	<b>098 216 408</b> 92.0000.6375
Hybrid	24V	IP54	←		✓						Rear	<b>098 216 409</b> 92.0000.6376
Full-LED	24V	IP54	→		✓						Rear	<b>098 216 508</b> 92.0000.6391
Full-LED	24V	IP54	←		✓						Rear	<b>098 216 509</b> 92.0000.6392



TM10 Tail light vertical built-in

## Spare parts TM 10 Tail lights 24V, Hybrid or Full-LED - truck &amp; trailer



Pos. 1



Pos. 2



Pos. 3

## Spare parts / Accessories

Lens, Right	1	<b>098 296 354</b> 92.0000.6640
Lens, Left	1	<b>098 296 355</b> 92.0000.6641
Protection cover for tail light	2	<b>098 296 710</b> 92.0000.6877
LED Outer end marker 12/24V, Right - 300 mm connection cable with Super Seal plug	3	<b>098 241 438</b> 92.0000.6355
LED Outer end marker 12/24V, Left - 300 mm connection cable with Super Seal plug	3	<b>098 241 439</b> 92.0000.6356

## TM11 LED Tail lights 12/24V

### Tail light for Standard vehicles

Modern light- and LED-Technology

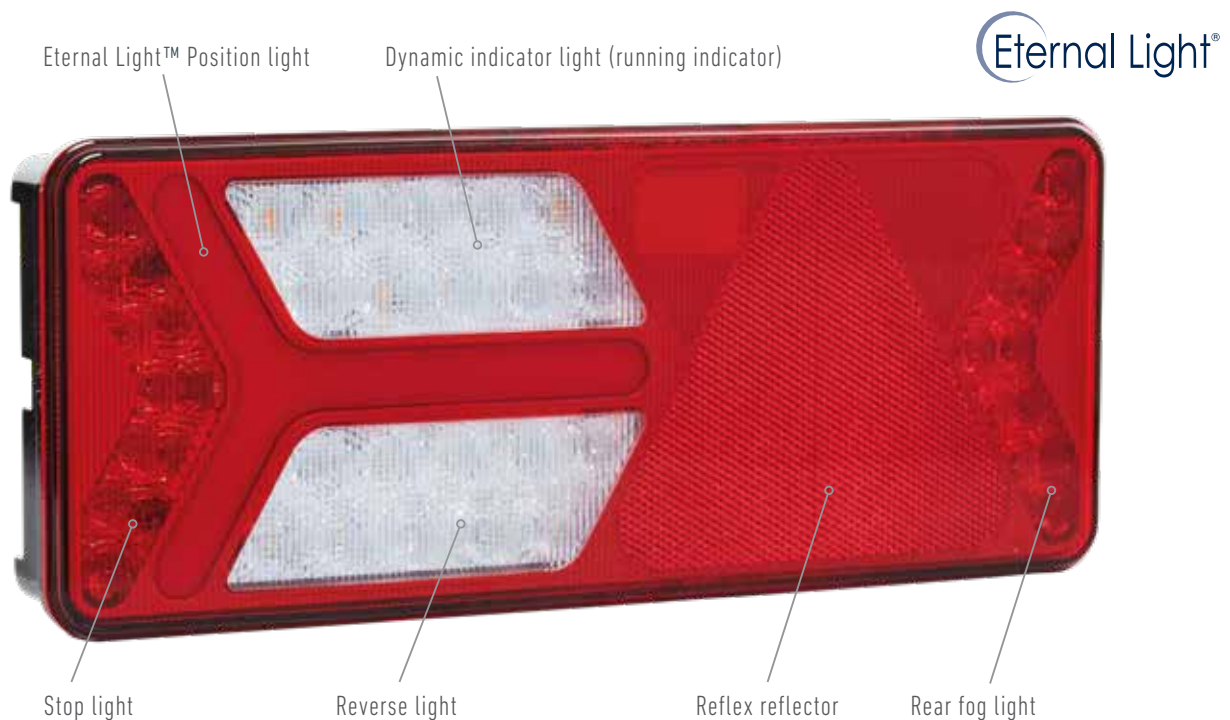
#### The compact and modern 7-function tail light from ERMAX

As highlights the full-LED tail light from Ermax offers a thin design, modern dynamic indicator light, impact-resistant lens and integration of all legal control units.

The intelligent and up to date control unit of the Ermax TM11 makes the universal connection of the tail light to any truck wanted possible – without failure warnings. This is also valid for the indicator failure control – and the brake light control.

The indicator light function in the side markers, lights simultaneously with the tail light according to ECE 48. This function is fully integrated in the TM11 tail light.

Superior durability, modern functionality and a modern design, come together in the Ermax TM11 tail light and making it a real highlight.



#### Highlights

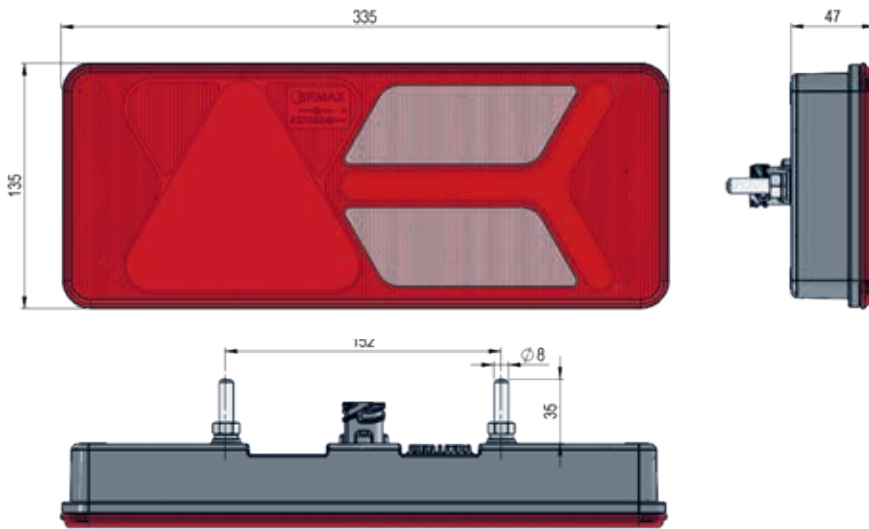
- Unbreakable - Impact resistant lens of polycarbonat
- Multi voltage 12/24V
- Modern dynamic indicator light (running indicator)
- Built-in indicator failure control according to ECE 48 - compatibel with all brands and year of EU Trucks\*
- Built-in stop light failure control according to ECE 48 - compatibel with all brands and year of EU Trucks\*
- Built-in control of flashing side marker lights (SIMAC®) according to ECE 48 supp. 06 (Since nov. 2017)
- Certified in accordance with all relevant standards and regulations in Europe

\* Stand 2018

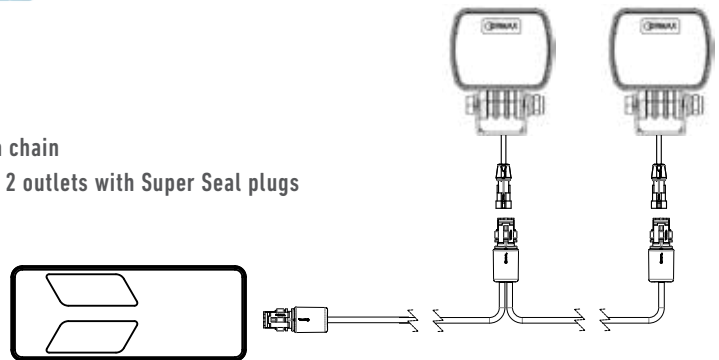
**TM 11 Tail lights 12/24V - Full-LED for trailer**



Eternal Light<sup>®</sup>



Reverse light connected as a chain  
- side cable with 1 inlet and 2 outlets with Super Seal plugs



2 pieces of Ermax reverse lights or work lights are allowed to be connected to an Ermax tail light (Max 52W)

**Description**

Lens:	Impact resistant polycarbonate
Direction indicator:	Dynamic direction indicator light (running indicator)
Housing:	Impact resistant polycarbonate
Dimension:	335 x 135 X 47 mm
Bolt hole distance:	152 mm / M8
IP Rating:	IP69K

\*) Super Seal Functions for 3 x position light incl. SIMAC, 1 x Stop (L) & Reverse (R)

**TM 11 Tail lights 12/24V - Full-LED for trailer**



**Functions**

Type	Right → Left ←	Position Stop Dir. indicator Reverse Rear fog Reflex reflector	Outer end- marker	Connection 7 poled AMP socket Direction:	2x2 Super Seal Placed at the back*	SIMAC control integrated	LED control integrated	Article No.
Full-LED	→	✓	Optional	Rear	✓	✓	--	<b>098 216 550</b> 92.0000.7653
Full-LED	←	✓	Optional	Rear	✓	✓	--	<b>098 216 551</b> 92.0000.7655
Full-LED	→	✓	Optional	Rear	✓	✓	Dir. indicator light	<b>098 216 552</b> 92.0000.7657
Full-LED	←	✓	Optional	Rear	✓	✓	Dir. indicator light	<b>098 216 553</b> 92.0000.7659
Full-LED	←	✓	Optional	Rear	✓	✓	Dir. indicator- & Stop light	<b>098 216 555</b> 92.0000.7661

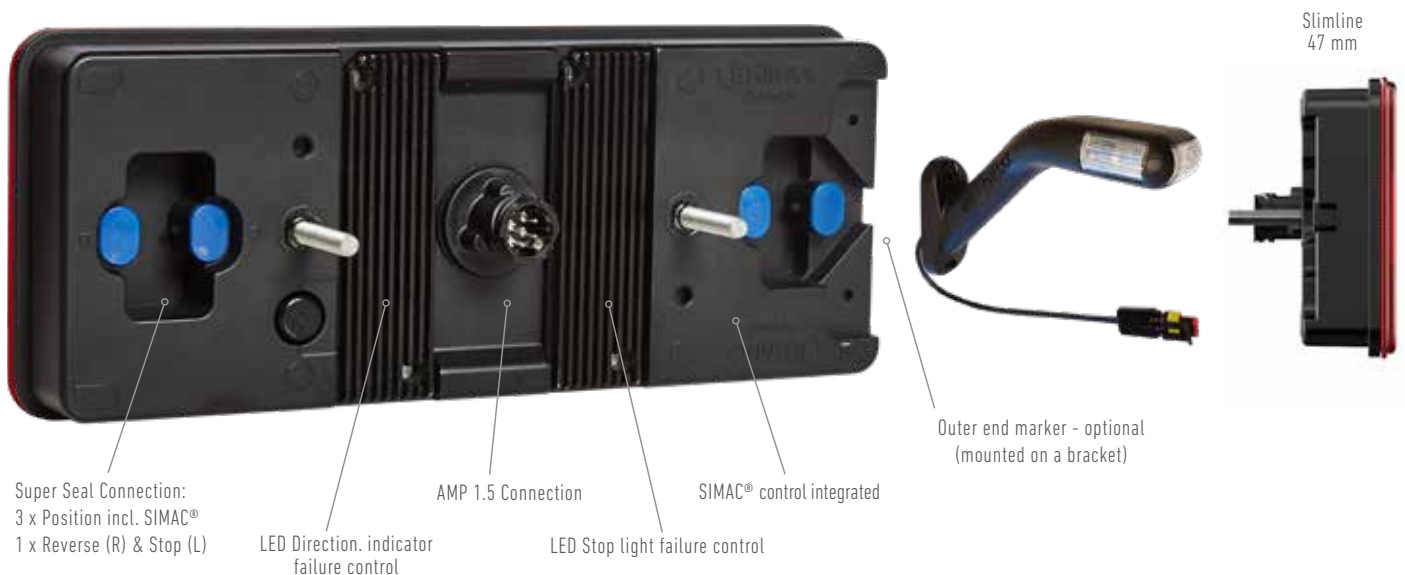
**Possible combinations of TM11 Tail lights:**

Type versions	Article no.	Control-Functions Tail lights
BASIC	098 216 550 (R) & 098 216 551 (L)	SIMAC
ADVANCED	098 216 552 (R) & 098 216 553 (L)	SIMAC and LED direction indicator failure control
PREMIUM	098 216 552 (R) & 098 216 555 (L)	SIMAC, LED director. indicator failure control and LED stop light failure control

**Outer end marker are optional**

and can be mounted at any version afterwards

Article no. suitable for outer end marker is 098 241 448 / 098 241 449 (R/L). The outer end marker is mounted at a holder and the Super Seal plug at the outer end marker is mounted at the back of the tail light in the Super Seal socket



**Spare parts & Accessories TM 11 Tail lights 12/24V**



Pos. 1



Pos. 2



Pos. 3



Pos. 4

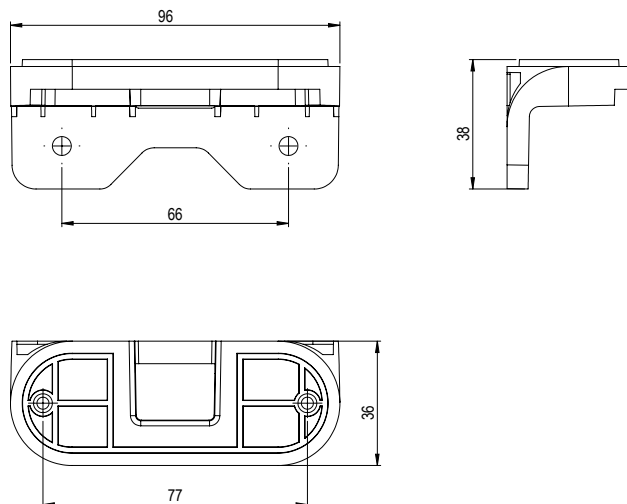


Pos. 5

**Spare parts & Accessories**

Holder of plastic, angled, for outer end marker Delivered with 4 pcs. stainless torx screws. Mounting hole distance: 77 mm	1	<b>098 292 610</b> 92.0000.7668
LED outer end marker 12/24V, Right - 300 mm connection cable with Super Seal plug	2	<b>098 241 448</b> 92.0000.6355
LED outer end marker 12/24V, Left - 300 mm connection cable with Super Seal plug	2	<b>098 241 449</b> 92.0000.6356
Protection cover for tail light	3	<b>098 296 710</b> 92.0000.6877
Cover of LED control - For covering of SLD connection at TM11 Tightens and protects contacts for SLD-unit	4	<b>098 296 700</b> 92.0000.7670
LED-Control unit 12/24V for TM11 Tail light built-in For monitoring direction indicator or stop light. One unit per function is needed For mounting at the back of the housing light. Connection with 3 x spring-loaded contacts	5	<b>098 298 149</b> 92.0000.7671

Pos. 1





## TM4 LED Tail lights 12/24V

### The classic 3-chamber Hamburger Tail light

#### ERMAX TM4 - Approvals

##### D-APPROVED 24V VERSION

The classic and even popular LED 3-chamber lamp from Ermax is – due to the D-approval – suitable for double mounting (2 or 3 lights on each side of the trailer). The D-approval ensures that the lights are approved and considered as one light unit when parallel mounted. The luminosity is adapted to this application although the light has position light in both the upper and lower area and has an expression as a lighting ring.

This is valid for Ermax article number 098 212 344 (with cable mounting) and 098 212 346 (with 7-poled AMP plug).

Both part numbers are designed for 24V applications only.



##### E-APPROVED MULTI VOLT (12 & 24 V) VERSION

For more universal applications, the E-approved 12/24 V version is used. This version has a stronger position light than the D-approved version, as it is approved for application as single mounting on each side of a semitrailer or on vehicles/machines, to which the D-approval regulations (e.g. agriculture machines) do not apply. The lamp has the same expression with position light in the upper and lower area and thus the same expression with lighting ring as the 24V version.

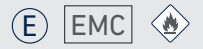
This type is available in two versions: 098 212 442 (with cable mounting) and 098 212 446 (with 7-poled AMP plug).

##### NOTE:

Since 2015, Ermax has delivered D-approved lights with the approval code E9.

Older Ermax 24V lights were marked with code E4.

**TM4 LED Tail lights 12/24V (Surface mounting)**



Pos. 1



Pos. 2



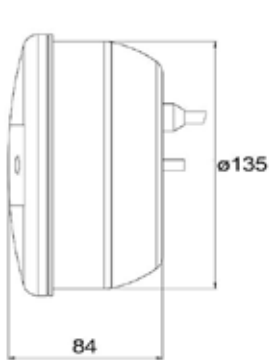
Pos. 3



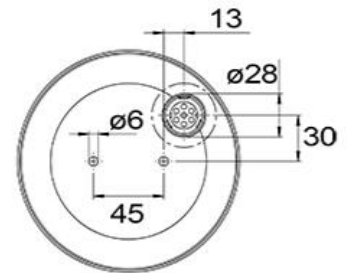
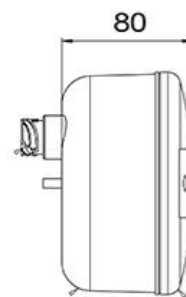
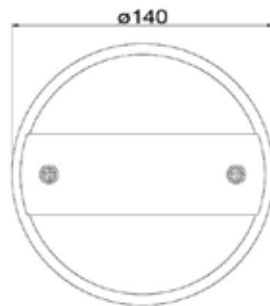
Pos. 4



Pos. 5



Rubber grommet



7 poled AMP Connection

**Description**

Lens:	PMMA
Housing:	PP
Dimension:	Ø140 x 80 mm
Bolt hole distance:	45 mm / M6

**TM4 LED Tail lights 12/24V (Surface mounting)**

**Functions**

Operation voltage	IP Rating	Position Stop Dir. indicator	Reverse	Rear fog	Connection	D Approval	Pos.	Article No.
24V	IP54	✓			Cable lead through rubber grommet	✓	1	<b>098 212 344</b> 92.0000.1501
24V	IP54	✓			7 poled AMP socket	✓	1	<b>098 212 346</b> 92.0000.1502
12/24V	IP54	✓			Cable lead through rubber grommet		1	<b>098 212 442</b> 92.0000.6937
12/24V	IP54	✓			7 poled AMP socket		1	<b>098 212 446</b> 92.0000.7555
12/24V	IP54	✓			Cable lead through rubber grommet		2	<b>098 212 345</b> 92.0000.7553
12/24V	IP54	✓			7 poled AMP socket		2	<b>098 212 349</b> 92.0000.7554
24V	IP54		✓		Cable lead through rubber grommet		3	<b>098 256 343</b> 92.0000.7204
12/24V	IP54		✓		7 poled AMP socket		3	<b>098 256 346</b> 92.0000.1597
12/24V	IP54			✓	Cable lead through rubber grommet		4	<b>098 257 349</b> 92.0000.1608
12/24V	IP54			✓	7 poled AMP socket		4	<b>098 257 346</b> 92.0000.1607
12/24V	IP54		✓	✓	Cable lead through rubber grommet		5	<b>098 255 341</b> 92.0000.5901
12/24V	IP54		✓	✓	7 poled AMP socket		5	<b>098 255 346</b> 92.0000.5902

LED diode unit: IP69K capability

**Spare parts**


Pos. 1



Pos. 2

Chrome ring and built-in kit	1	<b>098 292 360</b> 92.0000.1668
Protection cover for tail light	2	<b>098 296 720</b> 92.0000.1681

## TM 5 LED Tail lights with Eternal Light™ and Chrome ring 12/24V (Built-in)



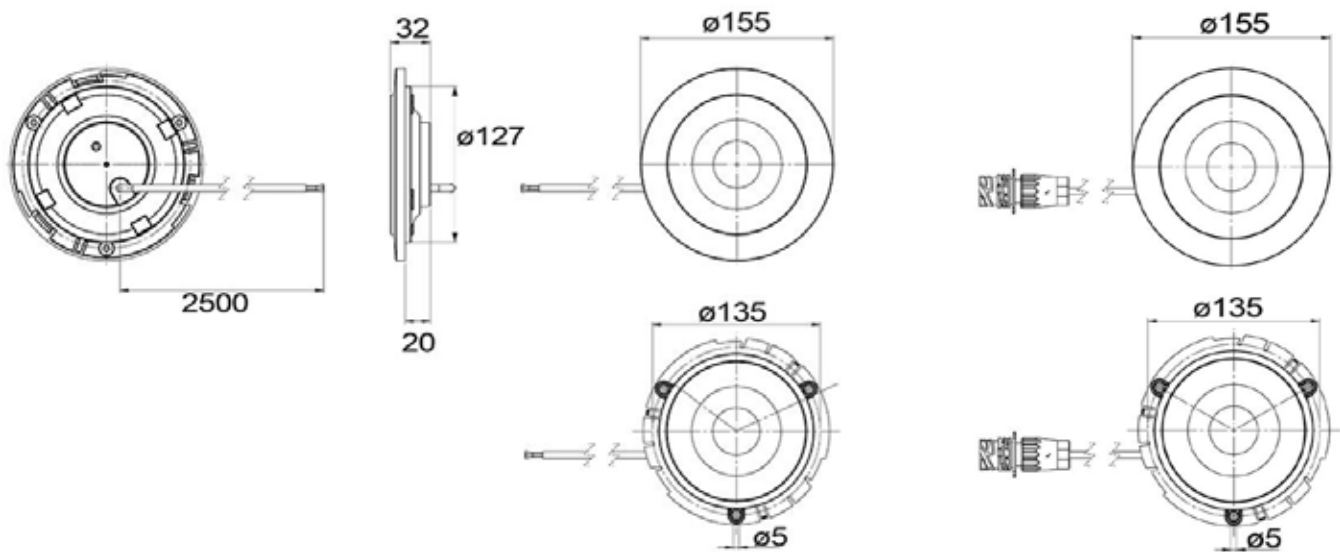
Eternal Light®



Pos. 1



Pos. 2

**Description**

Tail light with Eternal Light™ technology - for Built-in  
Ultra thin installation depth

Lens:	Impact resistant polycarbonate
Housing:	Impact resistant polycarbonate
Dimension:	Ø155 x 32 mm
Built-in:	Ø127 mm
Mounting holes:	3 pcs Ø4,5 mm in 120° spread in Ø135 mm

**TM 5 LED Tail lights with Eternal Light™ and Chrome ring 12/24V (Built-in)**

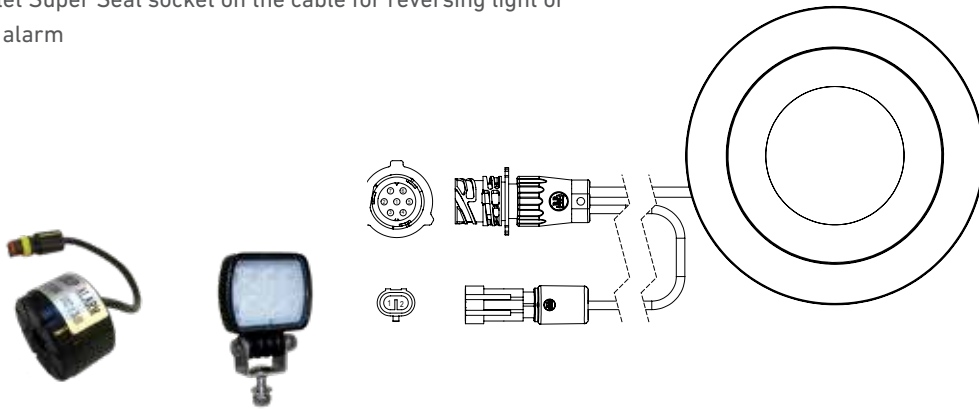


**Functions**

Operation voltage	IP Rating	Position Stop Dir. indicator	Reverse Rear fog	Connection	Cable length	Outlet Super Seal	Pos.	Article No.
12/24V	IP67	✓		Open end	2500 mm		1	<b>098 212 101</b> 92.0000.5868
12/24V	IP67	✓		7 poled AMP socket	300 mm		1	<b>098 212 102</b> 92.0000.5869
12/24V	IP67		✓	Open end	2500 mm		2	<b>098 255 101</b> 92.0000.5875
12/24V	IP67		✓	7 poled AMP socket	300 mm		2	<b>098 255 102</b> 92.0000.5876
12/24V	IP67		✓	7 poled AMP 1.5 socket	1.200 mm	200 mm cable with Super Seal socket for Reverse alarm / Reverse light	2	<b>098 255 104</b> 92.0000.7479

098 255 104

- with outlet Super Seal socket on the cable for reversing light or reversing alarm



**Spare parts**



Chrome ring

**098 292 215**  
92.0000.6639

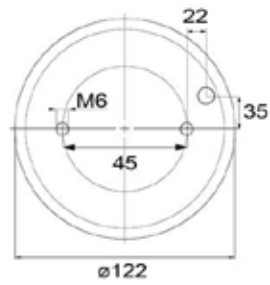
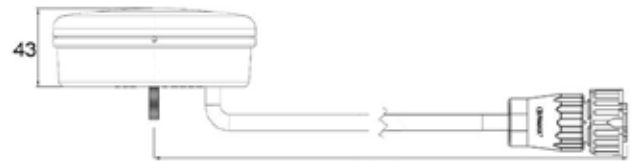
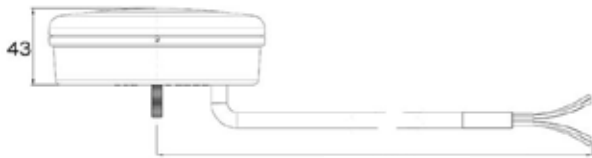
## TM 6 LED Tail lights 12/24V (Surface mounting)



Pos. 1



Pos. 2



## Description

Lens:	PMMA
Housing:	ABS
Dimension:	Ø122 x 43.2 mm
Bolt hole distance:	45 mm / M6

**TM 6 LED Tail lights 12/24V (Surface mounting)**

**Functions**

Operation voltage	IP Rating	Position Stop Dir. indicator	Reverse Rear fog	Cable length	Connection	Pos.	Article No.
12/24V	IP69K	✓		2.500 mm	Open end	1	<b>098 212 022</b> 92.0000.5732
12/24V	IP69K	✓		2.000 mm	7 poled AMP 1.5 plug	1	<b>098 212 027</b> 92.0000.1491
12/24V	IP69K	✓		200 mm	7 poled AMP 1.5 socket	1	<b>098 212 028</b> 92.0000.1492
12/24V	IP69K		✓	2.500 mm	Open end	2	<b>098 255 022</b> 92.0000.5734
12/24V	IP69K		✓	2.000 mm	7 poled AMP 1.5 plug	2	<b>098 255 027</b> 92.0000.1584
12/24V	IP69K		✓	200 mm	7 poled AMP 1.5 socket	2	<b>098 255 028</b> 92.0000.1585

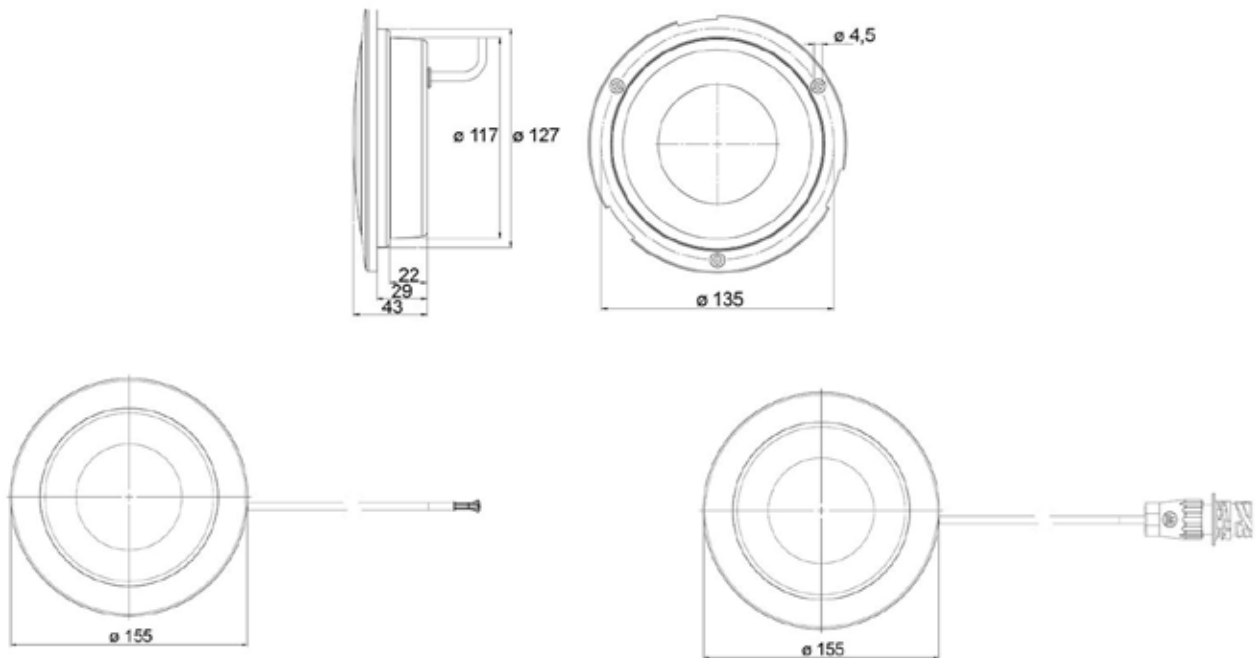
## TM 7 LED Tail lights 12/24V (Built-in)



Pos. 1



Pos. 2



## Description

Lens:	PMMA
Housing:	ABS
Dimension:	Ø155 x 43.2 mm
Bolt hole distance:	45 mm / M6
Built-in:	Ø127 mm
Mounting holes:	3 pcs Ø4,5 mm in 120° spread in Ø135 mm



**TM 7 LED Tail lights 12/24V (Built-in)**

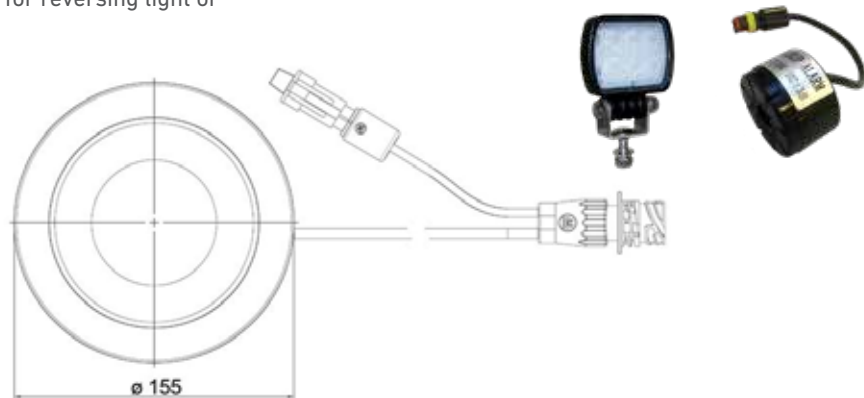


**Functions**

Operation voltage	IP Rating	Position Stop Dir. indicator	Reverse Rear fog	Cable length	Connection	Outlet Super Seal	Pos.	Article No.
12/24V	IP69K	✓		2.500mm	Open end		1	<b>098 212 002</b> 92.0000.7475
12/24V	IP69K	✓		300 mm	7 poled AMP 1.5 socket		1	<b>098 212 008</b> 92.0000.7476
12/24V	IP69K	✓		2.000 mm	7 poled AMP 1.5 socket		1	<b>098 212 017</b> 92.0000.0012
12/24V	IP69K		✓	2.000 mm	7 poled AMP 1.5 plug		2	<b>098 255 017</b> 95.0000.0013
12/24V	IP69K		✓	200 mm	7 poled AMP 1.5 socket		2	<b>098 255 018</b> 95.0000.0014
12/24V	IP69K		✓	2.500 mm	Open end		2	<b>098 255 002</b> 95.0000.0014
12/24V	IP69K		✓	1.200 mm	7 poled AMP 1.5 socket	200 mm cable with Super Seal socket for Reverse alarm / - Reverse light	2	<b>098 255 014</b> 95.0000.0014

098 255 104

- with outlet Super Seal socket on the cable for reversing light or reverse gear alarm



**Spare parts**



Chrome ring Ø155 mm

**098 292 216**  
92.0000.5702

**TM 8 LED Tail lights 12/24V**



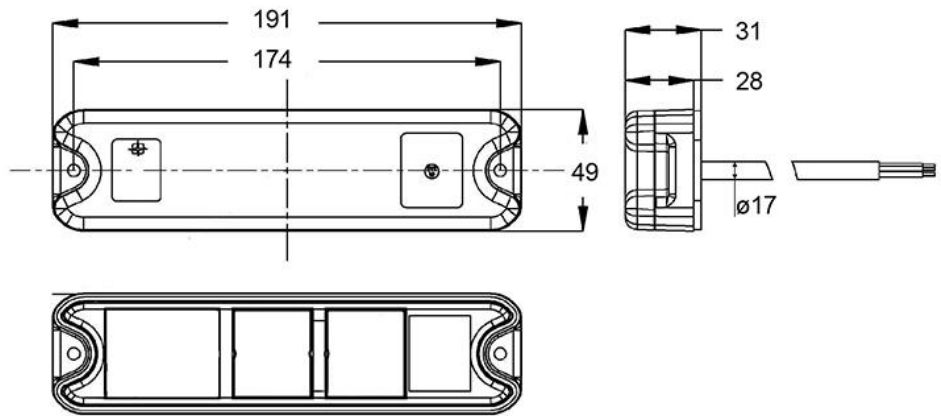
Pos. 1

With 8 red and 6 yellow SMD LED's



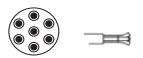
Pos. 2

With 8 red and 9 white SMD LED's



**Description**

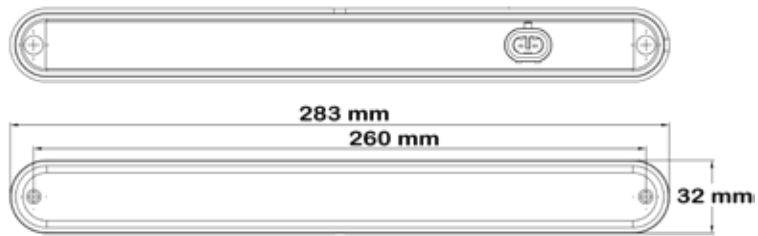
Lens: PMMA  
 Housing: ABS  
 Dimension: 191 x 49,4 x 30 mm  
 Bolt hole distance: 174 mm / M5



**Functions**

Operation voltage	IP Rating	Position Stop Dir. indicator	Reverse Rear fog	Reflex reflector	Cable length	Connection	Pos.	Article No.
12/24V	IP69K	✓		✓	200 mm	7 poled AMP 1.5 socket	1	<b>098 212 274</b> 92.0000.1500
12/24V	IP69K	✓		✓	2500 mm	Open end	1	<b>098 212 275</b> 92.0000.5886
12/24V	IP69K		✓	✓	200 mm	7 poled AMP 1.5 socket	2	<b>098 255 274</b> 92.0000.1587
12/24V	IP69K		✓	✓	2500 mm	Open end	2	<b>098 255 275</b> 92.0000.5887

**LED Stop light 24V (Surface mounting or Built-in)**



**Description**

Lens: PMMA  
 Housing/holder: Polypropylen (PP)  
 Dimension: 283 x 32 x 20/26 mm  
 Bolt hole distance: 260 mm



**Functions**

Operation voltage	IP Rating	Stop	LED	Cable length	Connection	Article No.
24V	IP67	✓	12 LED's	200 mm	Super Seal socket	<b>098 203 725</b> 92.0000.6193

## TM 2 GL Tail lights bulb, 24V



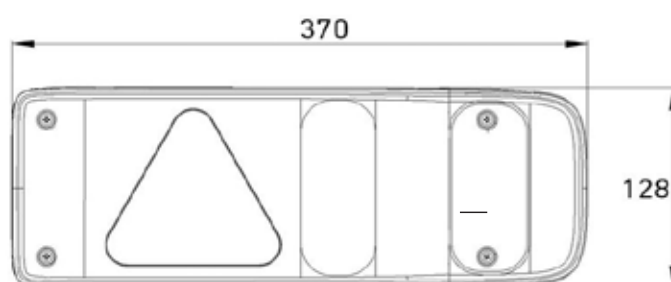
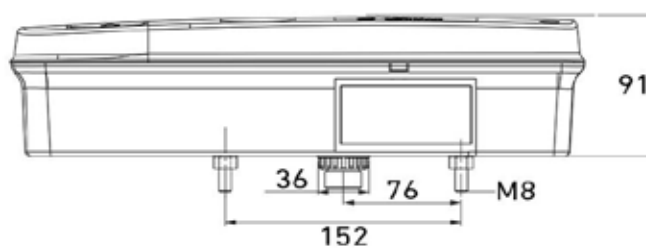
Pos. 1



Pos. 2




Pos. 3

**Description**

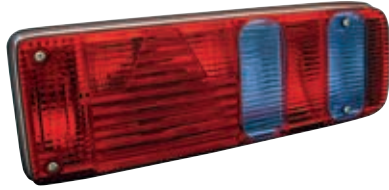
Lens:	PMMA
Housing:	PP
Dimension:	370 x 128 x 91 mm
Bolt hole distance:	152 mm / M8

**TM 2 GL Tail lights bulb, 24V**

**Functions**

Operation voltage	IP Rating	Left ← Right →	Position Stop Dir. indicator	Reverse Rear fog Reflex reflector	License plate	Side marker	Outer end marker	Connection 7 poled AMP 1.5 socket 	Pos.	Article No.
24V	IP54	←	✓	✓				✓	1	<b>098 216 351</b> 92.0000.1506
24V	IP54	→	✓	✓				✓	1	<b>098 216 352</b> 92.0000.1507
24V	IP54	←	✓	✓		✓		✓	1	<b>098 216 353</b> 92.0000.1508
24V	IP54	→	✓	✓		✓		✓	1	<b>098 216 354</b> 92.0000.1509
24V	IP54	←	✓	✓	✓			✓	1	<b>098 216 355</b> 92.0000.1510
24V	IP54	→	✓	✓	✓			✓	1	<b>098 216 356</b> 92.0000.1511
24V	IP54	←	✓	✓	✓	✓		✓	1	<b>098 216 357</b> 92.0000.1512
24V	IP54	→	✓	✓	✓	✓		✓	1	<b>098 216 358</b> 92.0000.1513
24V	IP54	←	✓	✓			45° Long (LED)	✓	2	<b>098 216 365</b> 92.0000.1452
24V	IP54	→	✓	✓			45° Long (LED)	✓	2	<b>098 216 366</b> 92.0000.1003
24V	IP54	←	✓	✓	✓		45° Long (LED)	✓	2	<b>098 216 367</b> 92.0000.1004
24V	IP54	→	✓	✓	✓		45° Long (LED)	✓	2	<b>098 216 368</b> 92.0000.1514
24V	IP54	←	✓	✓			45° Long (Bulb)	✓	3	<b>098 216 349</b> 92.0000.6621
24V	IP54	→	✓	✓			45° Long (Bulb)	✓	3	<b>098 216 350</b> 92.0000.6622

## Spare parts TM 2 GL Tail lights bulb, 24V



Pos.1



Pos. 2



Pos. 3



Pos. 4



Pos. 5



Pos. 6



Pos. 7

## Spare parts / Accessories

Lens, left, with 4 screws	1	<b>098 296 351</b> 92.0000.1679
Lens, right, with 4 screws	1	<b>098 296 352</b> 92.0000.1680
Protection cover for tail light	2	<b>098 296 710</b> 92.0000.6877
LED Outer end marker, left - 500 mm connection cable open end	3	<b>098 241 442</b> 92.0000.7039
LED Outer end marker, right - 500 mm connection cable open end	3	<b>098 241 443</b> 92.0000.7040
Side marker light, bulb (right / left) - 300 mm connection cable open end	4	<b>098 241 124</b> 92.0000.7556
Bulb 24V 5W HD, BA15s - for position light	5	<b>091 624 075</b> 92.0000.5884
Bulb 24V 21W amber HD, BAU15s - with amber lens for clear direction indicator light	6	<b>091 624 078</b> 92.0000.5885
Bulb 24V 21W HD, BA15s - for stop- and rear fog light	7	<b>091 624 071</b> 92.0000.5882

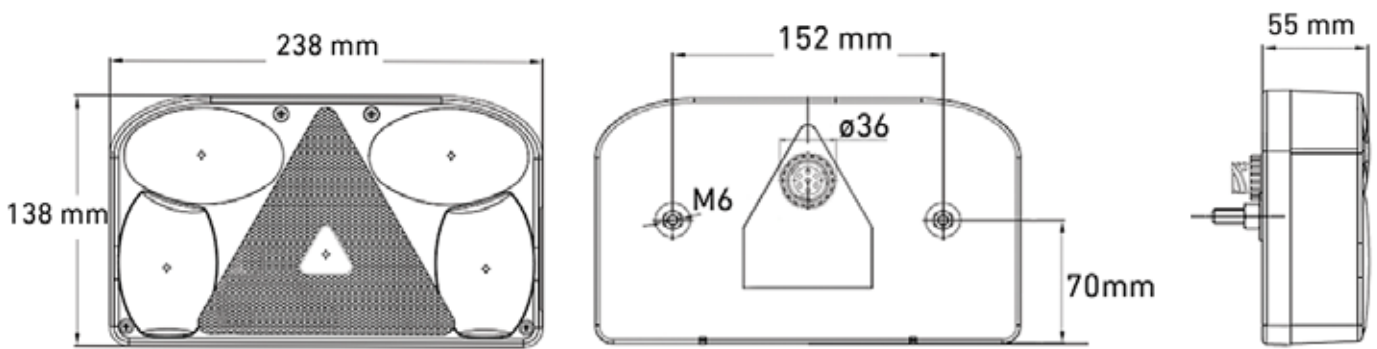
**Tail lights bulb, 24V**



Left



Right



**Description**

Lens: PMMA  
 Housing: PP  
 Dimension: 238 x 138 x 55 mm  
 Bolt hole distance: 152 mm / M6

For bulb 21W/BA15s + 21/5W/BAY15d



7 poled AMP 1.5 socket

**Functions**

Application	IP Rating	Operation voltage	Left ← Right →	Position, Stop Dir. indicator	Reverse	Rear fog	License plate	Side marker	Reflex reflector	Connection	Article No.
Universal	IP54	24V	←	✓	✓	✓	✓		✓	7 poled AMP socket	<b>098 215 080</b> 92.0000.6528
Universal	IP54	24V	→	✓	✓	✓	✓		✓	7 poled AMP socket	<b>098 215 085</b> 92.0000.6529

**TM 1 GL - Tail lights bulb**



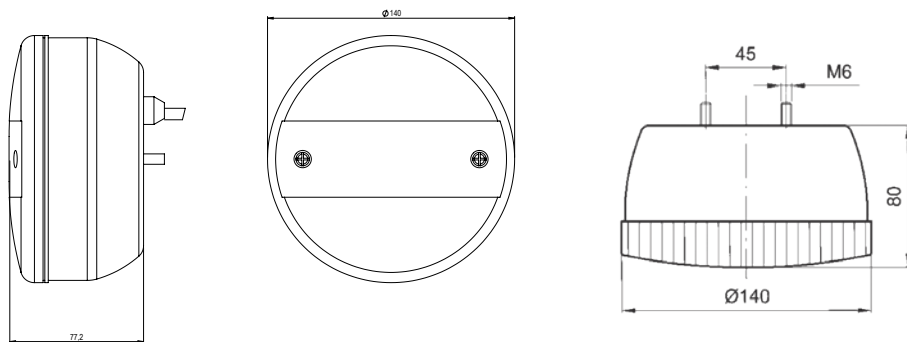
Pos. 1

Pos. 2

Pos. 3

Pos. 4

\*) Version with H3 bulb - have no E-Approval



**Description**

Tail lights bulb - Pos. 1, 3 and 4 is delivered without bulb

Lens: PMMA  
 Housing: ABS  
 Dimension: Ø140 mm x 80 mm  
 Bolt hole distance: 45 mm / M6



**Functions**

Operation voltage	IP Rating	Position	Stop	Dir. indicator	Reverse	Reverse - H3 bulb	Rear fog	License plate	Connection	Pos.	Article No.
12/24V	IP54	✓	✓	✓					Cable lead through rubber grommet	1	<b>098 212 352</b> 92.0000.1504
12/24V	IP54	✓	✓	✓				✓	Cable lead through rubber grommet	1	<b>098 212 356</b> 92.0000.1505
12/24V	IP54	✓	✓	✓					7 poled AMP 1.5 socket	2	<b>098 212 351</b> 92.0000.1503
12/24V	IP54				✓				Cable lead through rubber grommet	3	<b>098 256 040</b> 92.0000.1591
12/24V	IP54						✓		Cable lead through rubber grommet	4	<b>098 256 050</b> 92.0000.1593



**Spare parts TM 1 GL - Tail lights bulb**


Pos. 1



Pos. 2



Pos. 3



Pos. 4



Pos. 5



Pos. 6



Pos. 7

**Spare parts**

Article No.

Spare parts	Quantity	Article No.
Lens for position light with 2 screws and 1 sealing Suitable for 098 212 352 / 356 / 351	1	<b>098 292 354</b> 92.0000.5735
Lens, transparent for reverse light Suitable for 098 256 040	2	<b>098 292 242</b> 92.0000.5891
Chrome ring and built-in kit	4	<b>098 292 360</b> 92.0000.1668
Protection cover for reverse light	5	<b>098 296 720</b> 92.0000.1681
Bulb 24V 5W HD BA15s - for position light	6	<b>091 624 075</b> 92.0000.5884
Bulb 24V 21W HD BA15s - for stop- and rear fog	7	<b>091 624 071</b> 92.0000.5882
Halogen headlight H3, bulb 24V 70W H3, PK22s	8	<b>091 324 003</b> 92.0000.5881





## LICENSE PLATE LIGHT

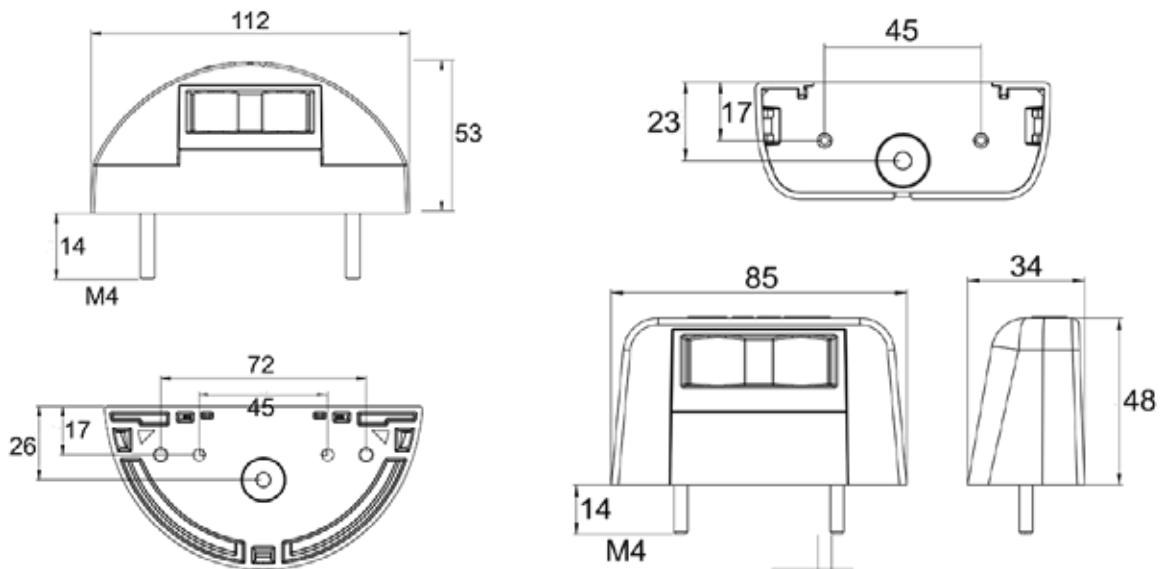
License plate light LED 12/24V



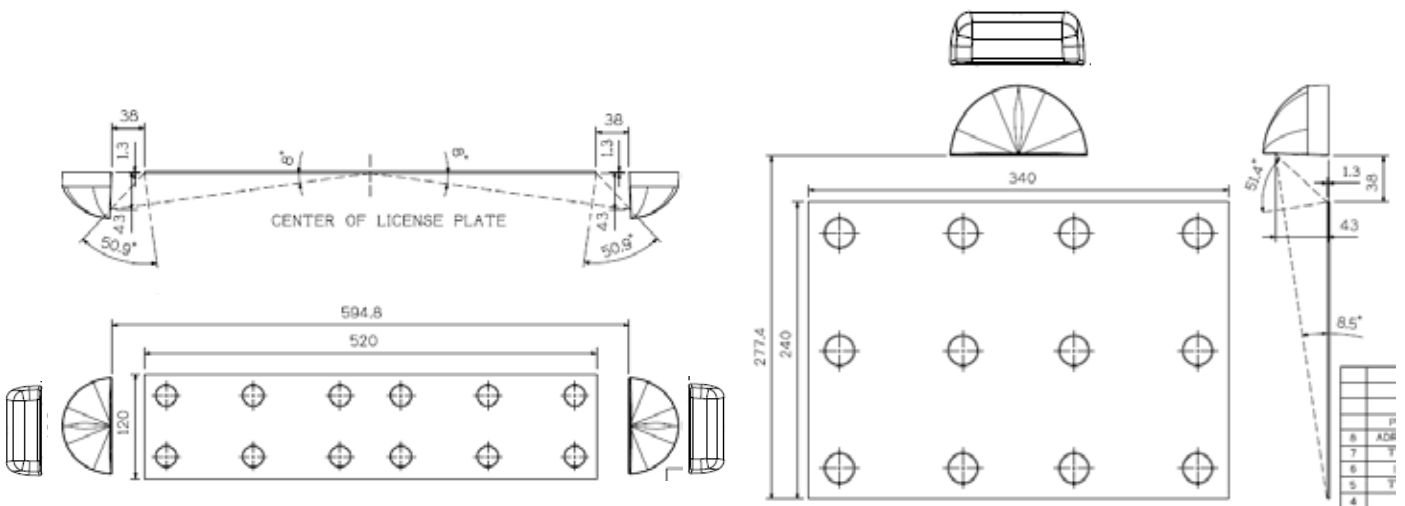
Pos. 1



Pos. 2



Both types are Certified for the application as shown:



## License plate light LED 12/24V

### Description

Lens: PMMA  
 Housing: ABS

#### Half-round design

Dimension: 112 x 57 x 53 mm  
 Bolt hole distance: 45 mm or 72 mm / M4

#### Square design

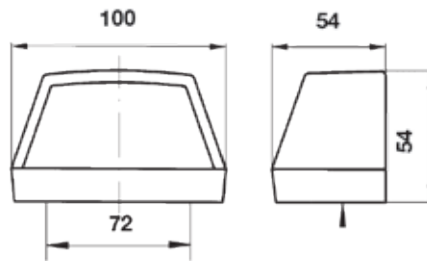
Dimension: 85 x 34 x 48 mm  
 Bolt hole distance: 45 mm / M4

### Functions

Operation voltage	IP Rating	Connection	Cable length	Bolt hole distance	LED	Pos.	Article No.
12/24V	IP54	Click-in 1,5 mm <sup>2</sup>	500 mm	45 / 72 mm	2	1	<b>098 254 330</b> 92.0000.6550
12/24V	IP54	Click-in 1,5 mm <sup>2</sup>	500 mm	45 mm	2	2	<b>098 254 340</b> 92.0000.6554
12/24V	IP54	Click-in 1,5 mm <sup>2</sup>	1.500 mm	45 / 72 mm	2	1	<b>098 254 332</b> 92.0000.6551
12/24V	IP54	Click-in 1,5 mm <sup>2</sup>	1.500 mm	45 mm	2	2	<b>098 254 342</b> 92.0000.6555
12/24V	IP54	Super Seal Steckkdose	500 mm	45 / 72 mm	2	1	<b>098 254 334</b> 92.0000.6552
12/24V	IP54	Super Seal Steckkdose	500 mm	45 mm	2	2	<b>098 254 344</b> 92.0000.6556
12/24V	IP54	Super Seal plug	1.200 mm	45 / 72 mm	2	1	<b>098 254 335</b> 92.0000.7168
12/24V	IP54	Super Seal plug	1.200 mm	45 mm	2	2	<b>098 254 345</b> 92.0000.7169
12/24V	IP54	Super Seal plug	2.000 mm	45 / 72 mm	2	1	<b>098 254 350</b> 92.0000.7913
12/24V	IP54	Open end	2.500 mm	45 / 72 mm	2	1	<b>098 254 336</b> 92.0000.6553
12/24V	IP54	Open end	2.500 mm	45 mm	2	2	<b>098 254 346</b> 92.0000.6557
12/24V	IP54	Cable lead through rubber grommet	--	45 / 72 mm	2	1	<b>098 254 338</b> 92.0000.7557
12/24V	IP54	Cable lead through rubber grommet	--	45 mm	2	2	<b>098 254 348</b> 92.0000.7007

LED diode unit: IP69K capability

**License plate light bulb**



**Description**

Delivered without bulb

Lens: PMMA  
 Housing: ABS  
 Dimension: 100 x 54 x 54 mm  
 Bolt hole distance: 72 mm / M4

**Functions**

Operation voltage	IP Rating	Light source	Connection	Cable length	Bolt hole distance	Article No.
24V	IP54	Bulb	Cable lead through rubber grommet	--	72 mm	<b>098 254 161</b> 92.0000.1577
24V	IP54	Bulb	Click-in 1,5 mm <sup>2</sup>	500 mm	72 mm	<b>098 254 159</b> 92.0000.1576
24V	IP54	Bulb	Click-in 1,5 mm <sup>2</sup>	1.500 mm	72 mm	<b>098 254 158</b> 92.0000.1575

**Spare parts**



Bulb 24V 5W HD, BA15s

**091 624 075**  
92.0000.5884



## OUTER END MARKER LIGHT

**Outer end marker light LED ( 45°) 12/24V**

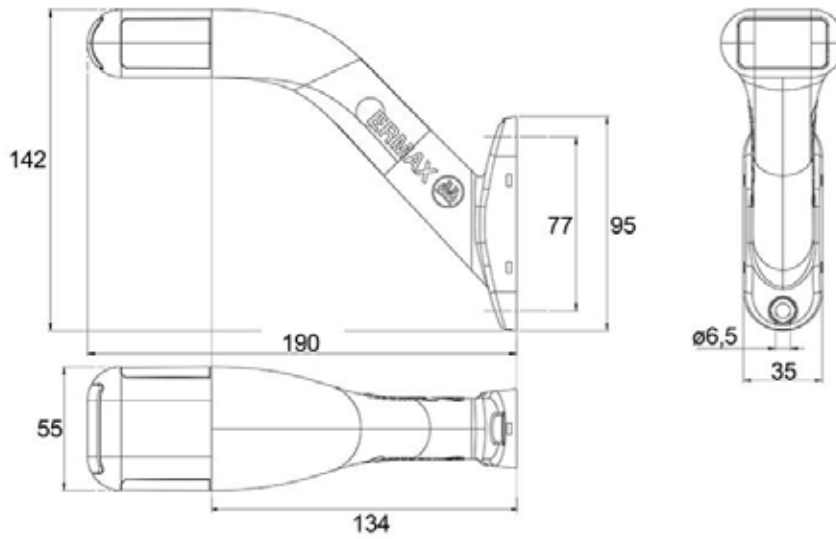


Pos. 1



Pos. 2

Possibility of having the cable at the side of the mounting foot



**Description**

With clear lens - lighting red, amber and white

- Lens: Impact resistant polycarbonate
- Housing: Rubber
- Bolt hole distance: 77 mm / Ø 6,5



**Outer end marker light LED ( 45°) 12/24V**

**Functions**

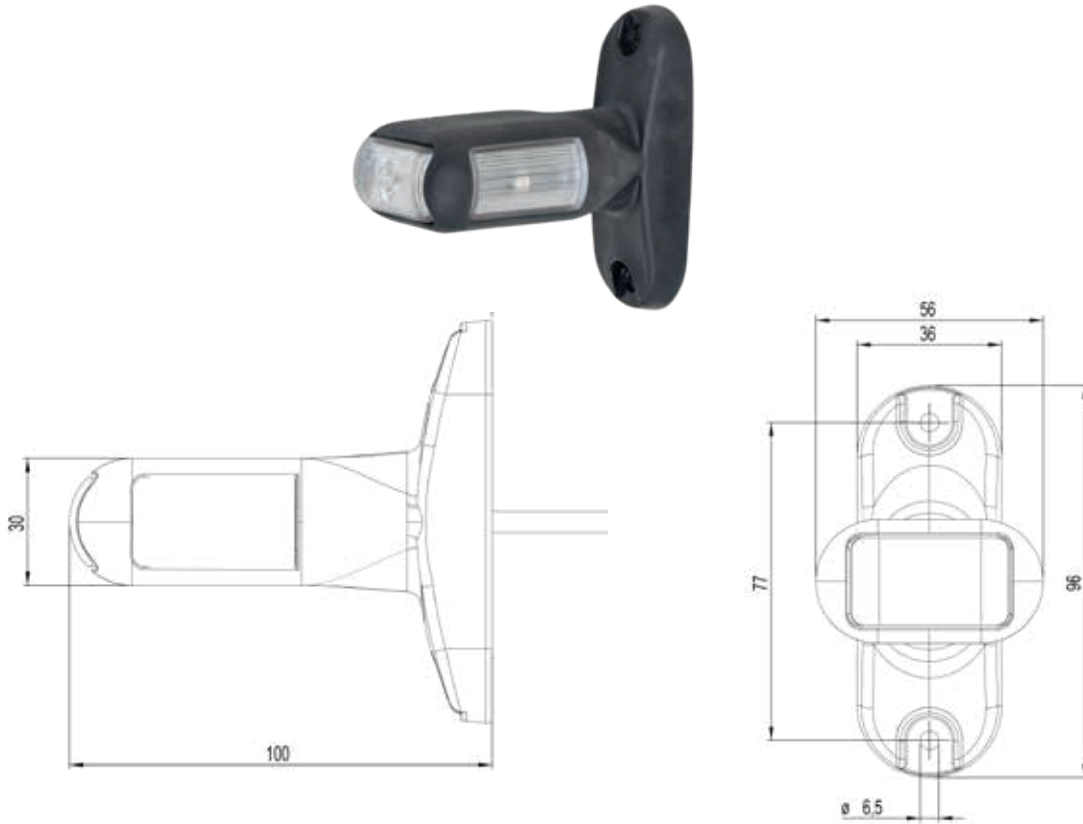
Left ← Right →	Operation voltage	IP Rating	Connection	Cable length	Light colour	Pos.	Article No.
←	12/24V	IP69K	Click-in 1,5 mm <sup>2</sup>	1.500 mm	red / white / amber	1	<b>098 241 422</b> 95.0000.0005
→	12/24V	IP69K	Click-in 1,5 mm <sup>2</sup>	1.500 mm	red / white / amber	1	<b>098 241 423</b> 95.0000.0006
←	12/24V	IP69K	Super Seal socket	1.500 mm	red / white / amber	1	<b>098 241 425</b> 95.0000.0086
→	12/24V	IP69K	Super Seal socket	1.500 mm	red / white / amber	1	<b>098 241 426</b> 95.0000.0087
←	12/24V	IP69K	Open end	1.500 mm	red / white / amber	1	<b>098 241 427</b> 92.0000.1560
→	12/24V	IP69K	Open end	1.500 mm	red / white / amber	1	<b>098 241 428</b> 92.0000.1561
←	12/24V	IP69K	Open end	5.000 mm	red / white / amber	1	<b>098 241 429</b> 92.0000.1562
→	12/24V	IP69K	Open end	5.000 mm	red / white / amber	1	<b>098 241 430</b> 92.0000.1563
→	12/24V	IP69K	Super Seal plug	300 mm	red / white / amber	1	<b>098 241 448</b> 92.0000.7050
←	12/24V	IP69K	Super Seal plug	300 mm	red / white / amber	1	<b>098 241 449</b> 92.0000.7051



Suitable for mounting on flat surfaces, with the possibility of having the cable at the side of the mounting foot. Also there is the possibility to connect the outer end marker to the tail lights or the rear cable with Super Seal connection

→	12/24V	IP69K	Super Seal plug	300 mm	red / white / amber	2	<b>098 241 438</b> 92.0000.6355
←	12/24V	IP69K	Super Seal plug	300 mm	red / white / amber	2	<b>098 241 439</b> 92.0000.6356

**Outer end marker light LED ( Short model ) 12/24V**



**Description**

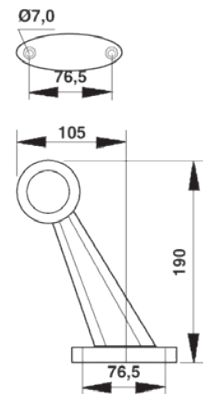
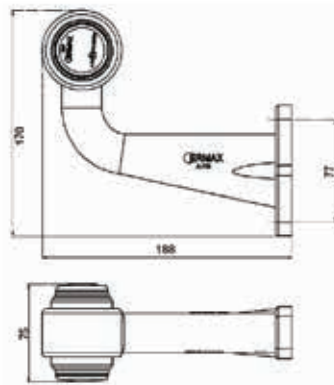
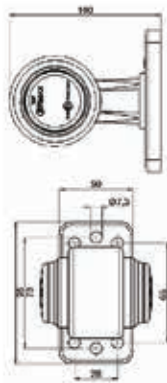
With clear lens - lighting red, amber and white

Lens: Impact resistant polycarbonat  
 Housing: Rubber  
 Bolt hole distance: 77 mm / Ø 6,5

**Functions**

Left ← Right →	Operation voltage	IP Rating	Connection	Cable length	Light colour	Article No.
← →	12/24V	IP69K	Super Seal socket	500 mm	red / white / amber	<b>098 241 205</b> 92.0000.5870
← →	12/24V	IP69K	Super Seal socket	1.500 mm	red / white / amber	<b>098 241 215</b> 92.0000.5872
← →	12/24V	IP69K	Click-in 1,5 mm <sup>2</sup>	1.500 mm	red / white / amber	<b>098 241 211</b> 92.0000.5871
← →	12/24V	IP69K	Open end	1.500 mm	red / white / amber	<b>098 241 216</b> 92.0000.5873
← →	12/24V	IP69K	Open end	5.000 mm	red / white / amber	<b>098 241 217</b> 92.0000.5874
← →	12/24V	IP69K	Super Seal plug	300 mm	red / white / amber	<b>098 241 218</b> 92.0000.7490

**Outer end marker light LED 12/24V**



**Description**

Lens: PMMA  
 Housing: Rubber  
 Bolt hole distance: 77 mm / Ø 7

**Functions**

Left ← Right →	Operation voltage	IP Rating	Connection	Cable length	Lens	Pos.	Article No.
← →	12/24V	IP67	Super Seal socket	500 mm	red / white	1	<b>098 241 816</b> <i>92.0000.1568</i>
← →	12/24V	IP67	Open end	1.500 mm	red / white	1	<b>098 241 016</b> <i>92.0000.1553</i>
← →	12/24V	IP67	Open end	5.000 mm	red / white	1	<b>098 241 616</b> <i>92.0000.1564</i>
← →	12/24V	IP67	Super Seal socket	500 mm	red / white	2	<b>098 241 826</b> <i>92.0000.1569</i>
← →	12/24V	IP67	Click-in	500 mm	red / white	2	<b>098 241 726</b> <i>92.0000.1567</i>
← →	12/24V	IP67	Open end	1.500 mm	red / white	2	<b>098 241 026</b> <i>92.0000.1554</i>
← →	12/24V	IP67	Open end	5.000 mm	red / white	2	<b>098 241 626</b> <i>92.0000.1565</i>
← →	12/24V	IP67	Super Seal socket	500 mm	red / white	3	<b>098 241 886</b> <i>92.0000.1570</i>
← →	12/24V	IP67	Open end	1.500 mm	red / white	3	<b>098 241 086</b> <i>92.0000.1557</i>
← →	12/24V	IP67	Open end	5.000 mm	red / white	3	<b>098 241 686</b> <i>92.0000.1566</i>

**Spare parts - Outer end marker light LED 12/24V**



Pos. 1



Pos. 2

**Spare parts**

LED - red diode unit with 1.250 mm connection cable	1	<b>098 291 012</b> 92.0000.1659
LED - clear diode unit with 1.250 mm connection cable	2	<b>098 291 016</b> 92.0000.1660

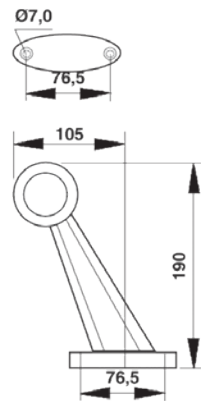
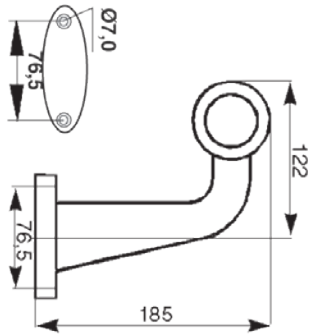
**Outer end marker light bulb 24V**



Pos. 1



Pos. 2



**Description**

Outer end marker, angled mounted with 24V/10W bulb  
 Packing unit With 2 pcs

Lens: PMMA  
 Housing: Rubber  
 Bolt hole distance: 77 mm / Ø 7

**Functions**

Left ← Right →	Operation voltage	IP Rating	Connection	Cable length	Lens	Pos.	Article No.
← →	24V	IP54	Open end	3.500 mm	red / white	1	<b>098 241 959</b> 92.0000.5814
← →	24V	IP54	Click-in	1.500 mm	red / white	1	<b>098 241 954</b> 92.0000.1571
← →	24V	IP54	Super Seal socket	500 mm	red / white	1	<b>098 241 956</b> 92.0000.5813
← →	24V	IP54	Open end	3.500 mm	red / white	2	<b>098 241 989</b> 92.0000.5817
← →	24V	IP54	Click-in	1.500 mm	red / white	2	<b>098 241 987</b> 92.0000.5816
← →	24V	IP54	Super Seal socket	500 mm	red / white	2	<b>098 241 986</b> 92.0000.5815

**Spare parts - Outer end marker light bulb 24V**



Pos. 1



Pos. 2



Pos. 3



Pos. 4



Pos. 5



Pos. 6

**Spare parts**

Lens Ø47 mm - Transperant		1	<b>098 291 129</b> 92.0000.5492
Lens Ø47 mm - Red		2	<b>098 291 128</b> 92.0000.5491
Lens Ø47 mm - amber		3	<b>098 291 127</b> 92.0000.5890
Lens Ø47 mm - Schwartz		4	<b>098 291 124</b> 92.0000.5888
Bulb 24V 10W HD - BA15s		5	<b>091 624 072</b> 92.0000.5883
Bulbholder Ø17 mm - BA15s		6	<b>098 291 126</b> 92.0000.5889

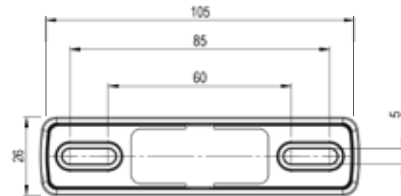
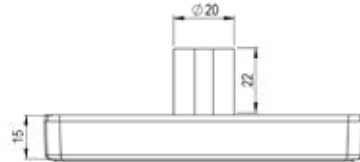
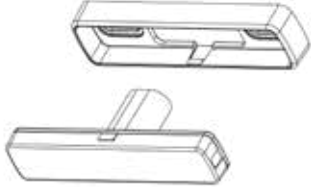


## MARKER LIGHTS POSITION SIDE & MARKERS

**LED Side marker 12/24V**



Standard frame - with Super Seal socket



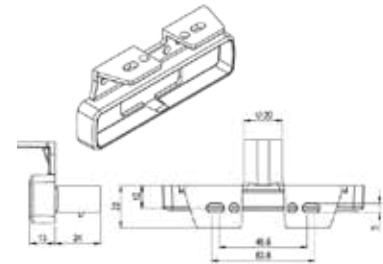
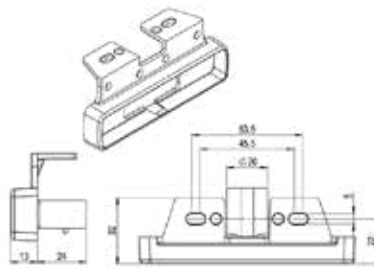
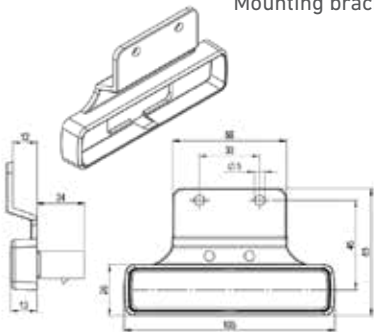
Mounting bracket straight



Backwards 90°



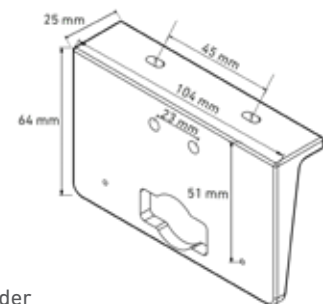
Forwards 90°



- Mounting without visible screws
- 2 LED
- 4 Mounting variants
- 3 cable versions
- IP69K Rating



Universal Rubber holder



**Description**

LED Side marker- and position light  
 2 LED and with reflex reflector  
 IP69K rating

Lens: PMMA  
 Housing: ABS  
 Frame: PP  
 Dimension: B105 x H26 x T13 mm (standard frame)  
 Variable hole distance: 60-85 mm



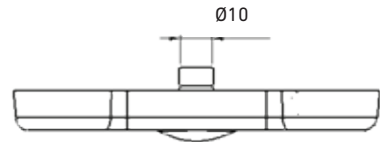
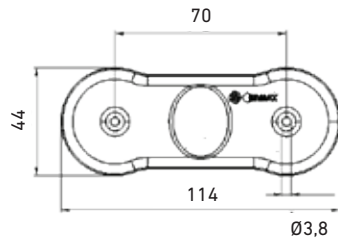
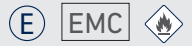
<b>LED Side marker 12/24V</b>						
<b>Functions</b>						
Mounting bracket	Connection	Cable length	Operation voltage	Side marker amber	Position lights White	Position lights Red
Standard frame	Super Seal socket	---	12/24V	<b>098 221 726</b> 92.0000.6011	<b>098 230 726</b> 92.0000.6028	<b>098 204 726</b> 92.0000.6005
Straight	Super Seal socket	----	12/24V	<b>098 221 742</b> 92.0000.6018		
90° bracket backwards	Super Seal socket	----	12/24V	<b>098 221 748</b> 92.0000.6021		
90° bracket forwards	Super Seal socket	----	12/24V	<b>098 221 756</b> 92.0000.6024		
Standard frame	Click-in	500 mm	12/24V	<b>098 221 720</b> 92.0000.6008	<b>098 230 720</b> 92.0000.6024	<b>098 204 720</b> 92.0000.6002
Standard frame	Click-in	1.500 mm	12/24V	<b>098 221 722</b> 92.0000.6009	<b>098 230 722</b> 92.0000.6025	<b>098 204 722</b> 92.0000.6003
Standard frame	Click-in	5.000 mm	12/24V	<b>098 221 724</b> 92.0000.6010	<b>098 230 724 *</b> 92.0000.6026	<b>098 204 724 *</b> 92.0000.6004
Straight mounting bracket	Click-in	1.500 mm	12/24V	<b>098 221 740</b> 92.0000.6017		
90° bracket backwards	Click-in	500 mm	12/24V	<b>098 221 744</b> 92.0000.6019		
90° bracket backwards	Click-in	1.500 mm	12/24V	<b>098 221 746</b> 92.0000.6020		
90° bracket forwards	Click-in	500 mm	12/24V	<b>098 221 752</b> 92.0000.6022		
90° bracket forwards	Click-in	1.500 mm	12/24V	<b>098 221 754</b> 92.0000.6023		
Standard frame	Open end	500 mm	12/24V	<b>098 221 730</b> 92.0000.6012	<b>098 230 730 *</b> 92.0000.6029	
Standard frame	Open end	2.500 mm	12/24V	<b>098 221 732</b> 92.0000.6013	<b>098 230 732</b> 92.0000.6030	<b>098 204 732 *</b> 92.0000.6006
Standard frame	Open end	5.000 mm	12/24V	<b>098 221 734</b> 92.0000.6014	<b>098 230 734</b> 92.0000.6031	<b>098 204 734</b> 92.0000.6007
Standard frame	Open end	10.000 mm	12/24V	<b>098 221 736</b> 92.0000.6015	<b>098 230 737</b> 92.0000.7523	<b>098 204 736</b> 92.0000.7522
Standard Rahmen	Super Seal Stecker	5.000	12/24V		<b>098 230 736</b> 92.0000.7523	

**Spare parts**

Standard frame	<b>098 292 700</b> 92.0000.6032
Mounting bracket, straight, hole distance 30 mm	<b>098 292 701</b> 92.0000.6033
Mounting bracket - 90° bracket backwards, hole distance 30-55 mm	<b>098 292 702</b> 92.0000.6034
Mounting bracket - 90° bracket forwards, hole distance 30-55 mm	<b>098 292 703</b> 92.0000.6035
Universal rubber holder- 90° bracket backwards, hole distance 45-55 mm	<b>098 292 629</b> 92.0000.7559

\*) This article no. is not in stock - are only produced at customer specification in larger quantities

Side marker LED - 12/24V



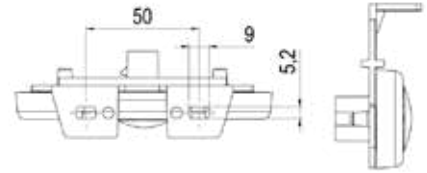
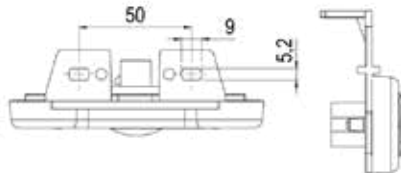
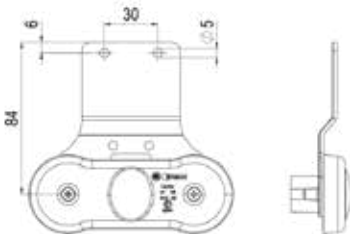
Mounting bracket Straight



Rear 90°



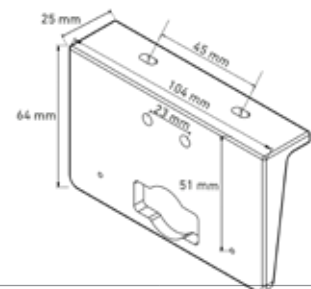
Forwards 90°



- Standardized mounting
- 2 LED
- 4 Mounting-variante
- 4 cable-versions
- IP69K Rating



Universal rubber bracket



Description

LED Side marker- and position light  
 2 LEDs and with reflex reflector  
 Mounting screw with Ø4 must be used  
 Lens: PMMA  
 Housing: ABS  
 Frame: PP  
 Dimension: B114 x H44 x T16 mm  
 Hole distance: 70 mm  
 IP69K rating

<b>Side marker LED - 12/24V</b>						
<b>Functions</b>						
Mounting bracket	Connection	Cable length	Operation voltage	Side marker amber	Position lights White	Position lights Red
Without mounting bracket	Super Seal socket	---	12/24V	<b>098 221 620</b> <i>95.0000.0091</i>	<b>098 230 401</b> <i>95.0000.0089</i>	<b>098 204 501</b> <i>95.0000.0090</i>
Straight mounting bracket	Super Seal socket	---	12/24V	<b>098 221 630</b> <i>92.0000.1533</i>		
90° bracket backwards	Super Seal socket	---	12/24V	<b>098 221 640</b> <i>95.0000.0093</i>		
90° bracket forwards	Super Seal socket	---	12/24V	<b>098 221 650</b> <i>92.0000.1536</i>	<b>098 230 430</b> <i>92.0000.1549</i>	
Without mounting bracket	Super Seal socket	500 mm	12/24V	<b>098 221 635</b> <i>92.0000.6867</i>		
Without mounting bracket	Super Seal socket	1.500 mm	12/24V	<b>098 221 628</b> <i>92.0000.5374</i>	<b>098 230 428</b> <i>92.0000.5375</i>	
90° bracket forwards	Super Seal socket	1.500 mm	12/24V	<b>098 221 664</b> <i>92.0000.5354</i>		
Without mounting bracket	Super Seal plug	5.000 mm	12/24V	<b>098 221 627</b> <i>92.0000.5781</i>		
Without mounting bracket	Super Seal plug	10.000 mm	12/24V	<b>098 221 629</b> <i>92.0000.5782</i>	<b>098 230 431</b> <i>92.0000.5783</i>	
90° bracket backwards	Super Seal socket	1.500 mm	12/24V	<b>098 221 662</b> <i>92.0000.5353</i>		
Without mounting bracket	Click-in	500 mm	12/24V	<b>098 221 621</b> <i>92.0000.1528</i>	<b>098 230 405</b> <i>92.0000.1545</i>	<b>098 204 502</b> <i>92.0000.1486</i>
Without mounting bracket	Click-in	1.500 mm	12/24V	<b>098 221 622</b> <i>92.0000.1001</i>	<b>098 230 415</b> <i>95.0000.0004</i>	<b>098 204 503</b> <i>92.0000.1487</i>
Without mounting bracket	Click-in	5.000 mm	12/24V	<b>098 221 623</b> <i>92.0000.1529</i>	<b>098 230 450</b> <i>92.0000.1550</i>	<b>098 204 504</b> <i>92.0000.1458</i>
Straight mounting bracket	Click-in	500 mm	12/24V	<b>098 221 631</b> <i>92.0000.1534</i>		
Straight mounting bracket	Click-in	1.500 mm	12/24V	<b>098 221 632</b> <i>95.0000.0003</i>		
90° bracket backwards	Click-in	500 mm	12/24V	<b>098 221 641</b> <i>92.0000.1007</i>		
90° bracket backwards	Click-in	1.500 mm	12/24V	<b>098 221 642</b> <i>92.0000.1535</i>		
90° bracket forwards	Click-in	500 mm	12/24V	<b>098 221 651</b> <i>92.0000.1537</i>		
90° bracket forwards	Click-in	1.500 mm	12/24V	<b>098 221 652</b> <i>95.0000.0017</i>		
Without mounting bracket	Open end	500 mm	12/24V	<b>098 221 624</b> <i>92.0000.1530</i>	<b>098 230 420</b> <i>92.0000.1546</i>	<b>098 204 505</b> <i>92.0000.1489</i>
Without mounting bracket	Open end	1.500 mm	12/24V	<b>098 221 625</b> <i>92.0000.1531</i>	<b>098 230 425</b> <i>92.0000.1547</i>	
Without mounting bracket	Open end	2.500 mm	12/24V			<b>098 204 506</b> <i>92.0000.5531</i>
Without mounting bracket	Open end	5.000 mm	12/24V	<b>098 221 626</b> <i>92.0000.1532</i>	<b>098 230 427</b> <i>92.0000.1548</i>	<b>098 204 507</b> <i>92.0000.1490</i>

**Spare parts LED Side marker - 12/24V**



Pos. 1 - Straight



Pos. 2 - Rear 90°



Pos. 3 - Forwards 90°



Pos. 4



Pos. 5



Pos. 6



Pos. 7



Pos. 8



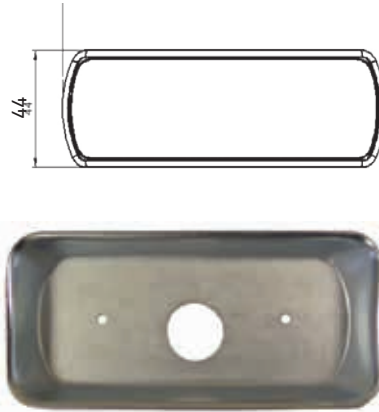
Ex.: Pos. 7 + 8

Spare parts	Pos.	
Mounting bracket, straight, hole distance 30 mm	1	<b>098 292 622</b> 92.0000.1671
Mounting bracket - 90° bracket backwards, hole distance 30-55 mm	2	<b>098 292 620</b> 92.0000.1669
Mounting bracket - 90° bracket forwards, hole distance 30-55 mm	3	<b>098 292 621</b> 92.0000.1670
Seal - 10 pcs packing unit, black rubber	4	<b>098 292 626</b> 92.0000.1672
Rivet - 20 pcs packing unit, black plastic, Ø4 mm	5	<b>098 291 602</b> 92.0000.1663
Rivet - 100 pcs packing unit, black plastic, Ø4 mm	5	<b>098 291 610</b> 92.0000.1665
Universal rubber bracket - 90° bracket backwards, hole distance 45-55 mm	6	<b>098 292 629</b> 92.0000.7559
Mounting bracket, rubber, for mudwingholders. Usuable with Ermax front position marker	7	<b>098 292 627</b> 92.0000.7445
Mounting bracket, rubber, for mudwingholders. Usuable with Ermax front position marker	8	<b>098 292 628</b> 92.0000.7446

**Side marker LED 12/24V**



Flat mounting - Without mounting bracket



Backwards 90°

Pos. 1

**Description**

LED Side marker- and position light - Dual polarity  
4 light diodes and with reflex reflector

- Lens: PMMA
- Housing: PP
- Dimension: B122 x H44 x T17 mm (without mounting bracket)
- Variable hole distance: 65 - 90 mm

**Functions**

Mounting bracket	Connection	Cable length	Operation voltage	IP Rating	Position White	Side marker amber	Position Red
Flat mounting	Open end	500 mm	12/24V	IP67	<b>098 230 601</b> 92.0000.1551	<b>098 221 601</b> 92.0000.1523	<b>098 203 601</b> 92.0000.1481
Flat mounting	Open end	5.000 mm	12/24V	IP67	<b>098 230 605</b> 92.0000.1552	<b>098 221 605</b> 92.0000.1524	<b>098 203 605</b> 92.0000.1482
Flat mounting	Open end	10.000 mm	12/24V	IP67		<b>098 221 610</b> 92.0000.1525	
90° bracket backwards	Open end	500 mm	12/24V	IP67		<b>098 221 611</b> 92.0000.1526	
90° bracket backwards	Open end	5.000 mm	12/24V	IP67		<b>098 221 615</b> 92.0000.1527	

**Spare parts**

Seal							<b>098 291 606</b> 92.0000.1664
Protective body, steel plate, untreated			Suitable for flat mounting lights			Pos. 1	<b>098 291 912</b> 92.0000.7667





## REAR BUMPER

## The strong solution at the market

### Individually adapted for optimal use

#### Certified production

In Denmark ERMAX produces the complete rear bumpers according to the "Kraftfahr Bundesamt" certified "Conformity of Production". Each variant of the rear bumper is individually adapted. This ensures optimal positioning of the lights and perfect cable structure. This saves weight and increases the life time of the components.

#### Highlights

- TM10, TM11 & TM5 with impact lens made of polycarbonat
- Easy demounting - just one interface
- The rear bumper can be lacquered
- Integration of
  - LED Control unit
  - SIMAC® control
  - Junction box
- Certified according to all relevant standards and regulations in Europe (ECE R58 Rev. 02)



ERMAX®

#### High quality design - various application

The new versions of the ERMAX rear bumper consist of four design variants.

The different versions are available with the following options: LED control unit, SIMAC control (flashing side marker lights), with or without junction box. You will find information about the various types on the following pages.

All variants are supplied with a protection cover over the junction box as well as the connectors of the tail lights.

The rear bumper consists of an anodised aluminum profile, which can be individually lacquered in the color of the vehicle.



TM5



TM7



TM10 Hybrid

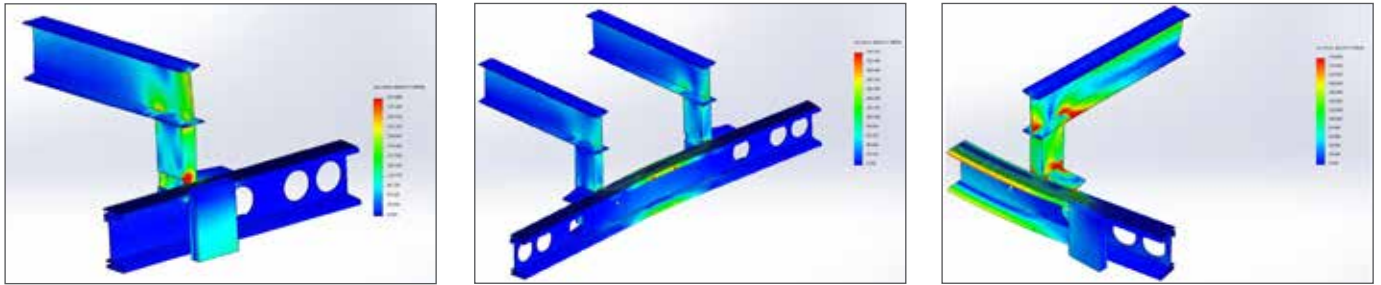


TM10 Full-LED



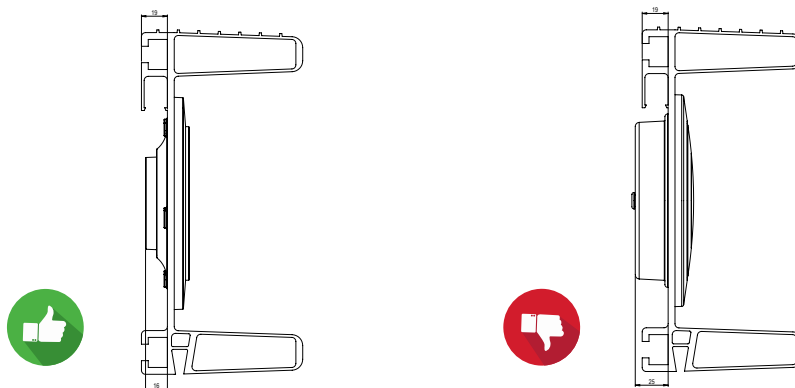
### The reasons speak for ERMAX

The development and design of the system is supported by CFD & CAE Engineering to ensure optimum impact strength of the ECE-tested rear bumper.



### Intelligent Design

The intelligent design of the rear bumper ensures that even built-in lights do not protrude beyond the rear bumper. This gives you the full width of the chassis frame and ensures maximum flexibility when mounting and the planning the vehicle.



### Safe delivery

Before forwarding the rear bumper is tested in every way and packed individually in a padded box. This in order to minimize transport damage and to ensure a safe and optimal transport



Production of the rear bumper



**Rear bumper - complete with TM5 LED Tail lights**



**Unbeatable durability**

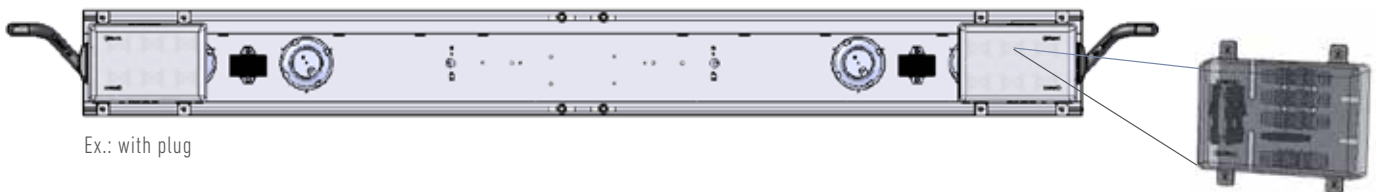
- Space-saving - ultra slim Built-in depth of the TM5 Tail lights
- Unsurpassed durability - impact resistant lens made of polycarbonat
- Anodised aluminum profile ECE tested



Dimension (LxDxH): 2400 x 120 x 250 mm / Length incl. outer end marker is 2780 mm

**Functions**

Operation voltage	Junction box	Connection	Cover	SIMAC	LED		Article No.
					Dir. indicator	failure control	
12/24V	-	500 mm cable 15 core with Ermox bayonet socket	Lighting & plugs	-	-	-	<b>098 258 100</b> 92.0000.7569
24V	-	500 mm cable 15 core with Ermox bayonet socket	Lighting & plugs	-	✓	-	<b>098 258 110</b> 92.0000.7570
24V	-	500 mm cable 15 core with Ermox bayonet socket	Lighting & plugs	✓	-	-	<b>098 258 120</b> 92.0000.7571
24V	-	500 mm cable 15 core with Ermox bayonet socket	Lighting & plugs	✓	✓	✓	<b>098 258 130</b> 92.0000.7572
12/24V	099 866 751	500 mm cable 15 core with Ermox bayonet socket	Junction box	-	-	-	<b>098 258 140</b> 92.0000.7573
24V	099 866 751	500 mm cable 15 core with Ermox bayonet socket	Junction box	-	✓	-	<b>098 258 150</b> 92.0000.7574
24V	099 869 751	500 mm cable 15 core with Ermox bayonet socket	Junction box	✓	-	-	<b>098 258 160</b> 92.0000.7575
24V	099 869 751	500 mm cable 15 core with Ermox bayonet socket	Junction box	✓	✓	✓	<b>098 258 170</b> 92.0000.7576



Ex.: with plug

**Configuration WITH Plug:**

- 4 pcs 098212102 LED Tail lights position-, stop- & dir. indicator light
- 2 pcs 098255104 LED Reverse-, and rear fog light
- 2 pcs 098254335 LED License plate light
- 1 pcs 098241449 LED Outer end marker, left
- 1 pcs 098241448 LED Outer end marker, right
- 2 pcs 098267610 Triangular reflex reflector, red
- 1 pcs 098299608 Base plate - fixation plug & SIMAC
- 1 pcs 098299609 Cover for base plate

**Configuration WITH Junction box:**

- 4 pcs 098212101 LED Tail lights position-, stop- & dir. indicator light
- 2 pcs 098255101 LED Reverse-, and rear fog light
- 2 pcs 098254336 LED License plate light
- 1 pcs 098241428 LED Outer end marker, left
- 1 pcs 098241427 LED Outer end marker, right
- 2 pcs 098267610 Triangular reflex reflector, red
- 1 pcs 098299607 Cover for junction box

ADR-Tested junction box - Specification, please see the section of junction boxes

**Rear bumper - complete with TM7 LED Tail lights**



**Klassisches LED Look**

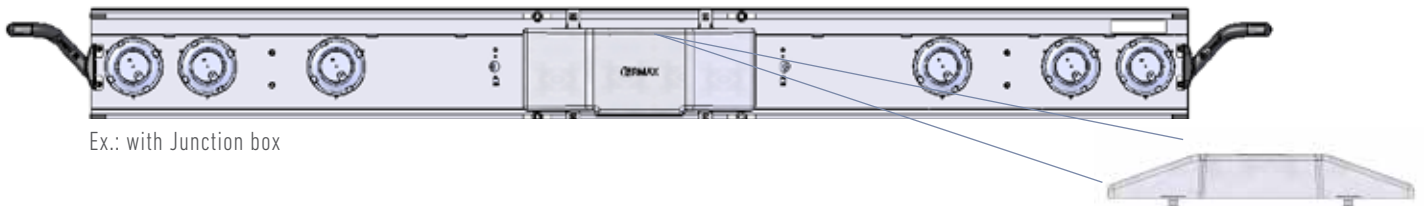
- Space-saving: low Built-in depth TM7 Tail lights
- Easy mounting
- Anodised aluminum profile ECE tested



Dimension (LxDxH): 2400 x 120 x 250 mm / Length incl. outer end marker is 2780 mm

**Functions**

Operation voltage	Junction box	Connection	Cover	SIMAC	LED		Article No.
					Dir. indicator	failure control	
12/24V	-	500 mm cable 15 core with Ermax bayonet socket	Lighting & plugs	-	-	-	<b>098 258 200</b> 92.0000.7577
24V	-	500 mm cable 15 core with Ermax bayonet socket	Lighting & plugs	-	✓	-	<b>098 258 210</b> 92.0000.7578
24V	-	500 mm cable 15 core with Ermax bayonet socket	Lighting & plugs	✓	-	-	<b>098 258 220</b> 92.0000.7579
24V	-	500 mm cable 15 core with Ermax bayonet socket	Lighting & plugs	✓	✓	✓	<b>098 258 230</b> 92.0000.7580
12/24V	099 866 751	500 mm cable 15 core with Ermax bayonet socket	Junction box	-	-	-	<b>098 258 240</b> 92.0000.7581
24V	099 866 751	500 mm cable 15 core with Ermax bayonet socket	Junction box	-	✓	-	<b>098 258 250</b> 92.0000.7582
24V	099 869 751	500 mm cable 15 core with Ermax bayonet socket	Junction box	✓	-	-	<b>098 258 260</b> 92.0000.7583
24V	099 869 751	500 mm cable 15 core with Ermax bayonet socket	Junction box	✓	✓	✓	<b>098 258 270</b> 92.0000.7584



**Configuration WITH Plug:**

- 4 pcs 098212008 LED Tail lights position-, stop- & dir. indicator light
- 2 pcs 098255014 LED Reverse-, and rear fog light
- 2 pcs 098254335 LED License plate light
- 1 pcs 098241449 LED Outer end marker, left
- 1 pcs 098241448 LED Outer end marker, right
- 2 pcs 098267610 Triangular reflex reflector, red
- 1 pcs 098299608 Base plate - fixation plug & SIMAC
- 1 pcs 098299609 Cover for base plate

**Configuration WITH Junction box:**

- 4 pcs 098212002 LED Tail lights position-, stop- & dir. indicator light
- 2 pcs 098255002 LED Reverse-, and rear fog light
- 2 pcs 098254336 LED License plate light
- 1 pcs 098241428 LED Outer end marker, left
- 1 pcs 098241427 LED Outer end marker, right
- 2 pcs 098267610 Triangular reflex reflector, red
- 1 pcs 098299607 Cover for junction box

ADR-Tested junction box - Specification, please see the section of junction boxes

**Rear bumper - complete with TM10 Tail lights LED & Hybrid**



**All inclusive - impact resistant**

- Unsurpassed durability - impact resistant lens made of polycarbonat
- High degree of reliability - LED-Direction indicator failure control and SIMAC built-in (optional)
- Anodised aluminum profile ECE tested



Dimension (LxTxH): 2400 x 120 x 250 mm / Length incl. outer end marker is 2780 mm

**Functions**

Operation voltage	Type	Connection	Cover	SIMAC	LED Dir. indicator failure control	Article No.
24V	Hybrid	500 mm cable 15 core with Ermax bayonet socket	Lighting & plugs	-	NA	<b>098 258 300</b> 92.0000.7524
24V	Hybrid	500 mm cable 15 core with Ermax bayonet socket	Lighting & plugs	✓ (integrated in the cable)	NA	<b>098 258 320</b> 92.0000.7720
24V	Full-LED	500 mm cable 15 core with Ermax bayonet socket	Lighting & plugs	-	-	<b>098 258 400</b> 92.0000.7494
24V	Full-LED	500 mm cable 15 core with Ermax bayonet socket	Lighting & plugs	✓	✓	<b>098 258 430</b> 92.0000.7396

With the TM10 tail light the ERMAX rear bumper has a real allrounder on board: further to the standard functions the TM10 and TM11 also has an optional LED indicator failure control and a flash function for the side marker lights (SIMAC) integrated in the light housing – mounting will never be easier!



**Configuration with Hybrid Tail lights:**

- 1 pcs 098216404 (SIMAC) Hybrid Tail lights, right
- 1 pcs 098216405 (SIMAC) Hybrid Tail lights, left
- 2 pcs 098254335 LED License plate light
- 1 pcs 098241439 LED Outer end marker, left
- 1 pcs 098241438 LED Outer end marker, right
- 1 pcs 494025651 Main cable With SIMAC eingebaut
- 1 pcs 098296710 Cover tail lights

**Configuration with Full-LED Tail lights:**

- 1 pcs 098216504/098216524 (SIMAC) Full-LED Tail lights, right
- 1 pcs 098216505/098216525 (SIMAC) Full-LED Tail lights, left
- 2 pcs 098254335 LED License plate light
- 1 pcs 098241439 LED Outer end marker, left
- 1 pcs 098241438 LED Outer end marker, right
- 1 pcs 098296710 Cover tail lights

**Rear bumper - complete with TM11 Tail lights Full-LED**



**All inclusive - impact resistant**

- Unsurpassed durability - impact resistant lens made of polycarbonat and with running flash
- High degree of reliability - SIMAC & LED-Direction indicator control failaure / LED Stop licht failure control built-in (optional)
- Anodised aluminum profile ECE tested



Dimension (LxTxH): 2400 x 120 x 250 mm / Length incl. outer end marker is 2780 mm

**Functions**

Operation voltage	Type	Connection	Cover	SIMAC	LED failure control	Article No.
12/24V	Full-LED	500 mm cable 15 core with Ermax bayonet socket	Lighting & plugs	✓	--	<b>098 258 520</b> 92.0000.7876
12/24V	Full-LED	500 mm cable 15 core with Ermax bayonet socket	Lighting & plugs	✓	Dir. indicator failure control	<b>098 258 530</b> 92.0000.7877
12/24V	Full-LED	500 mm cable 15 core with Ermax bayonet socket	Lighting & plugs	✓	Dir. indicator & Stop light-failure control	<b>098 258 580</b> 92.0000.7878

With the TM11 tail light the ERMAX rear bumper has a real allrounder on board: further to the standard functions the TM11 also has a LED indicator failure control and LED Stop light failure control as well as an indicator function for the side marker light (SIMAC) integrated in the light - mounting will never be easier!



**Configuration with Full-LED Tail lights & SIMAC:**

- 1 pcs 098216550 LED Tail lights, right
- 1 pcs 098216551 LED Tail lights, left
- 2 pcs 098254335 LED License plate light
- 1 pcs 098241449 LED Outer end marker, left
- 1 pcs 098241448 LED Outer end marker, right
- 1 pcs 098296710 Cover tail lights

**Configuration with Full-LED Tail lights, SIMAC & LED failure control:**

- 1 pcs 098216552 Full-LED Tail lights, right
- 1 pcs 098216553 LED Tail lights, left (Dir. indicator failure control) or
- 1 pcs 098216555 LED Tail lights, left (Dir. indicator & stop light failure control)
- 2 pcs 098254335 LED License plate light
- 1 pcs 098241449 LED Outer end marker, left
- 1 pcs 098241448 LED Outer end marker, right
- 1 pcs 098296710 Cover tail lights

**Rear bumper - complete with TM1 LED Tail lights**



**LED Look**

- Easy mounting
- Anodised aluminum profile ECE tested



Dimension (LxDxH): 2400 x 120 x 250 mm / Length incl. outer end marker is 2780 mm

**Functions**

Operation voltage	Type	Connection	Cover	SIMAC	LED failure control	Article No.
24V	LED	500 mm cable 15 core with Ermax bayonet socket	Lighting & plugs	NA	NA	<b>098 258 627</b> 92.0000.6692

**Rear bumper - complete with TM2 Tail lights bulb**



**Tail light with bulb - The remaining lights are LED**

- Easy mounting
- Anodised aluminum profile ECE tested



Dimension (LxDxH): 2400 x 120 x 250 mm / Length incl. outer end marker is 2780 mm

**Functions**

Operation voltage	Type	Connection	Cover	SIMAC	LED failure control	Article No.
24V	Bulb	500 mm cable 15 core with Ermax bayonet socket	Lighting & plugs	NA	NA	<b>098 258 635</b> 92.0000.6694

**Configuration with Tail lights in LED:**

- 1 pcs 098216701 Tail lights, right
- 1 pcs 098216702 Tail lights, left
- 2 pcs 098254335 LED License plate light
- 1 pcs 098296710 Cover tail lights
- 1 pcs 098241426 Outer end marker, right
- 1 pcs 098241425 Outer end marker, left
- 1 pcs 098296710 Cover tail lights

**Configuration with Tail lights in bulb:**

- 1 pcs 098216366 Tail lights, right
- 1 pcs 098216365 Tail lights, left
- 2 pcs 098254335 LED License plate light
- 1 pcs 098296710 Cover tail lights

**Spare parts & Accessories for rear bumper**



Left

Right



Pos. 1



Pos. 2



Pos. 3



Pos. 4



Pos. 5



Pos. 6



Pos. 7



Pos. 8



Pos. 9

Spare parts (S) & Accessories (A)	S / A	Pos.	Article No.
Reinforcement bracket With a chassis width of 840-1250 mm 2 pcs must be mounted 4 pcs T-Bolts M12x55 mm 099 110 000 are needed	A	Left	<b>098 299 602</b> 92.0000.6559
	A	Right	<b>098 299 603</b> 92.0000.6560
End cap - plastic for rear bumper - (2 pcs per rear bumper are needed)	S	1	<b>098 299 610</b> 92.0000.6561
Angle bracket, stainless, for mounting of outer end marker	S	2	<b>098 299 605</b> 92.0000.6731
T-Bolt M12x55mm with square head for mounting of rear bumper (4 pcs per rear bumper are needed)	S / A	3	<b>099 110 000</b> 92.0000.6530
Square shaped clamp : 25 x 25 x5 mm. Thicknes : 1mm Bag of 10 Stück	S / A	4	<b>098 299 612</b> 92.0000.7215
Type approval lable for rear bumper	S	4	<b>099 110 001</b> 92.0000.6530
Console for rear bumper - Square profile for welding onto chassis frame	A	5	<b>098 299 620</b> 92.0000.7251
Cover for Junction box at rear bumper - plastic	S	6	<b>098 299 607</b> 92.0000.7672
Base platete for rear bumper with TM5 and TM7 Tail lights mounted - plastic	S	7	<b>098 299 608</b> 92.0000.7673
Cover for base platete - for rear bumper with TM5/7 - To be used with base plate 098299608	S	8	<b>098 299 609</b> 92.0000.7674

**Rear bumper, raw**



Pos 1



Pos 2

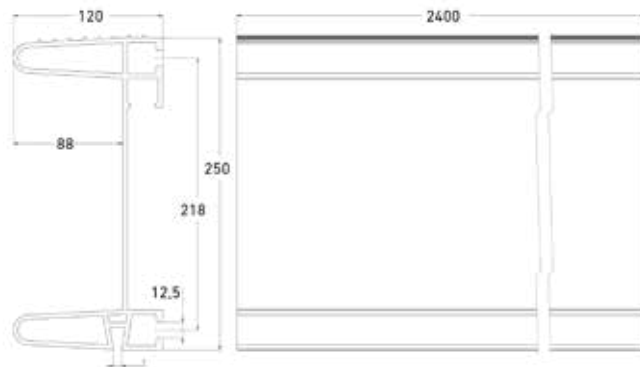


Pos 3



Delivered with end cap and Type approval label

T-Bolt are not included at delivery



**Functions**

Material	Drilled	Dimension L x B x H	With end cap & Type approval label	Pos	Article No.
Anodized aluminum	Without drilling	2400 x 120 x 250 mm	✓	1	<b>098 259 000</b> 92.0000.6649
Anodized aluminum	For 2/3-Functions light Drilling: 6 x 135 mm	2400 x 120 x 250 mm	✓	2	<b>098 258 000</b> 92.0000.7128
Anodized aluminum	For 7-Functions light Drilling: 2 x 44 mm, 8 x 30 mm	2400 x 120 x 250 mm	✓	3	<b>098 258 001</b> 92.0000.7122



## ERMAX Rear bumper - high quality design - varios applications

### After mounting according to needs - many possibilities

The Ermax rear bumpers are available with the following options: LED control unit, SIMAC unit (flashing side marker lights), with or without connection box. These options you will find in the matrix.

When further lighting or equipment are necessary, there is several possibilities – with connection to the Super Seal plugs or in the junction box.

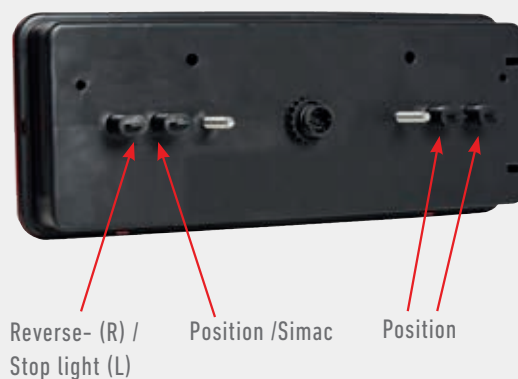
The versions with the TM5 or the TM7 LED tail lights with junction box have Super Seal outlets for reverse function at the rear cables - one on each side. Further reverse alarm, reverse camera and / or further tail lights can be connected. The 2 available Super Seal outlets can be extended with a Y-adaptor cable.

The versions with the TM10 or the TM11 LED tail lights all have 4 Super Seal connections at the back side of the tail lights. 3 outlets for position lights and further outlets for reversing lights, reverse alarm or reverse camera and the third stop light (please see photo below).

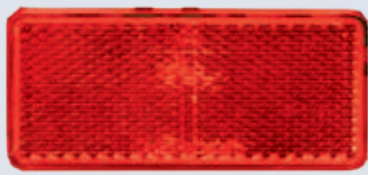
We recommend that further reversing lights are mounted at the vertical area between the number plate lights and the tail lights. This mounting will ensure the approval of the rear bumper. When mounting at the horizontal area of the rear bumper a change of the construction concerning the strength will be done, and the approval will no longer be valid.

Versions with junction boxes have maximum two free cable entrances and thus only limited connection possibility for further lighting. When further connection possibilities are needed, we recommend a further junction box (099 866 745) between the main cable and the connection at the rear bumper.

At the rear bumper with centrally mounted junction box the cover for the box (099 299 607) can also be used for covering the TM5 and TM7 tail lights. The cover can concerning the position of the console at the rear bumper be shortened giving an elegant finish of the rear bumper and larger protection of the back side of the lights.



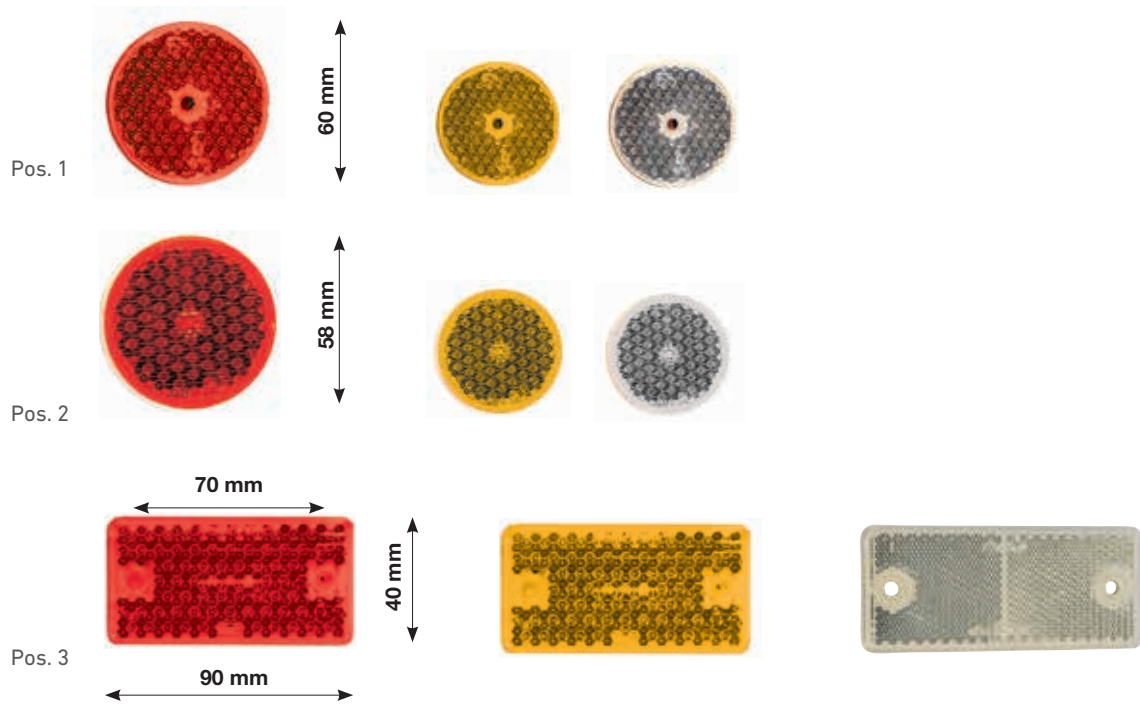




# REFLEX REFLECTOR

## Reflex reflector with and without self-adhesive back

E

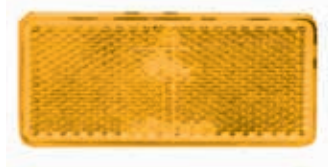
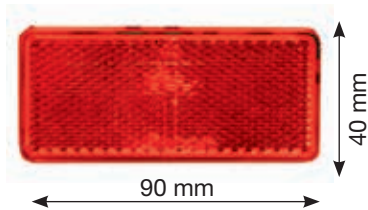


## Functions

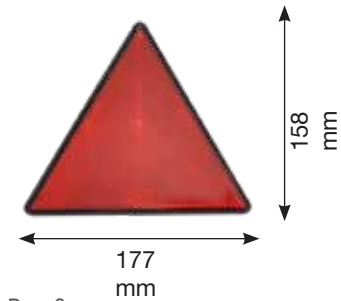
Colour	Dimension	Hole/screw	Self-adhesive	Packing unit	Pos.	Article No.
Red	Ø60 mm	Ø 6,3 mm		10 pcs	1	<b>098 261 060</b> 92.0000.1613
Yellow	Ø60 mm	Ø 6,3 mm		10 pcs	1	<b>098 261 062</b> 92.0000.1614
White	Ø 60 mm	Ø 6,3 mm		10 pcs	1	<b>098 261 064</b> 92.0000.1615
Red	Ø58 mm		✓	10 pcs	2	<b>098 262 061</b> 92.0000.1616
Yellow	Ø58 mm		✓	10 pcs	2	<b>098 262 063</b> 92.0000.1617
White	Ø58 mm		✓	10 pcs	2	<b>098 262 065</b> 92.0000.1618
Red	90 x 40 mm	Ø 4,3 mm/2 x 4 mm M5		10 pcs	3	<b>098 264 120</b> 92.0000.1619
Yellow	90 x 40 mm	Ø 4,3 mm/2 x 4 mm M5		10 pcs	3	<b>098 264 122</b> 92.0000.1620
White	90 x 40 mm	Ø 4,3 mm/2 x 4 mm M5		10 pcs	3	<b>098 264 124</b> 92.0000.1621
Red	90 x 40 mm	Ø 4,3 mm/2 x 4 mm M5	✓	10 pcs	3	<b>098 265 130</b> 92.0000.1622
Yellow	90 x 40 mm	Ø 4,3 mm/2 x 4 mm M5	✓	10 pcs	3	<b>098 265 132</b> 92.0000.1623
White	90 x 40 mm	Ø 4,3 mm/2 x 4 mm M5	✓	10 pcs	3	<b>098 265 134</b> 92.0000.1624

## Reflex reflector

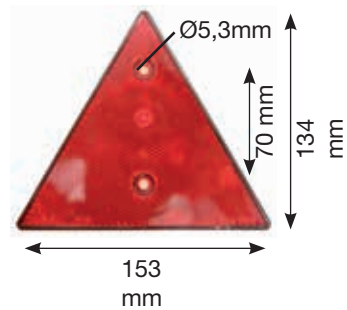
E



Pos. 1



Pos. 2



Pos. 3

## Functions

Colour	Dimension	Loch/screw	Self-adhesive	Packing unit	Pos.	Article No.
Red	90 x 40 mm		✓	10 pcs	1	<b>098 265 140</b> 92.0000.1625
Yellow	90 x 40 mm		✓	10 pcs	1	<b>098 265 142</b> 92.0000.1626
White	90 x 40 mm		✓	10 pcs	1	<b>098 265 144</b> 92.0000.1627
Red	177 x 158 mm	2 x M5		1 pcs	2	<b>098 267 605</b> 92.0000.7236
Black rear plate						
Red	158 x 140 mm	Ø 5,3 mm		10 pcs	3	<b>098 267 610</b> 92.0000.1050

**Reflex marker boards for trailers**

ECE Reg. 70.01



Pos. 1

1130 x 200 mm



Pos. 2

565 x 200 mm



Pos. 3

285 x 200 mm

**Functions**

Aluminum	Self-adhesive foil	Packing unit	Pos.	Article No.
1130 x 200 mm		1 pcs	1	<b>098 269 417</b> 92.0000.7999
	1130 x 200 mm	1 pcs	1	<b>098 269 412</b> 92.0000.1634
565 x 200 mm		2 pcs	2	<b>098 269 419</b> 92.0000.8000
	565 x 200 mm	2 pcs	2	<b>098 269 414</b> 92.0000.1636
285 x 200 mm		4 pcs	3	<b>098 269 421</b> 92.0000.8001
	285 x 200 mm	4 pcs	3	<b>098 269 416</b> 92.0000.1638




**Contour marking**

ECE 104



50 m x 55 mm

**Funktionen**

Colour		Self-adhesive contour marking, for rigid sides	Packing unit	Article No.
Red		50 m x 55 mm	50 meter per roll	<b>098 269 200</b> 92.0000.1632
Yellow		50 m x 55 mm	50 meter per roll	<b>098 269 202</b> 92.0000.1633
White		50 m x 55 mm	50 meter per roll	<b>098 269 204</b> 92.0000.1009



## INTERIOR LIGHTING

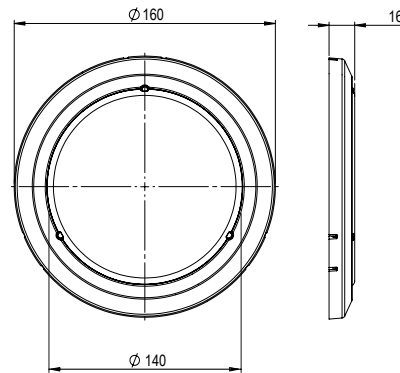


**LED interior lights - Surface mounting and Built-in**

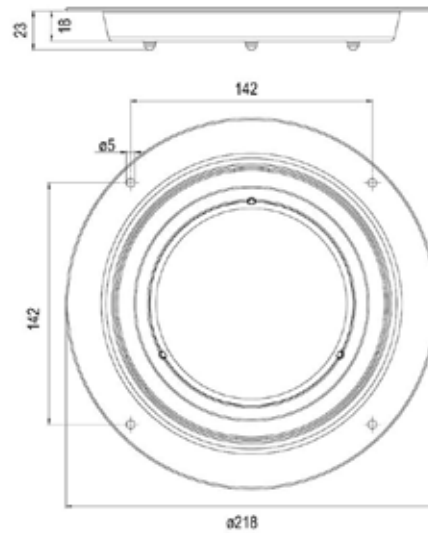
EMC



Surface mounting



Built-in



- Lens: Impact resistant polycarbonat
- Housing: Impact resistant polycarbonat
- Mounting holes: 4 pcs Ø5 mm - Ø201 mm (Built-in)
- Depth: 18 mm
- Mounting holes: 3 pcs Ø3,8 mm - Ø138 mm (Surface mounting)

Functions								
Lighting	IP-Rating	Lumen	Dimension	Operation voltage	Surface mounting	Built-in	Connection	Article No.
LED	IP67	294	Ø160 x 15,7 mm	12/24V	✓		1.500 mm cable with Click-in	<b>098 274 070</b> 92.0000.6612
LED	IP67	294	Ø160 x 15,7 mm	12/24 V	✓		2.500 mm cable with Open end	<b>098 274 071</b> 92.0000.6613
LED	IP67	294	Ø218 x 20 mm	12/24V		✓	1.500 mm cable with Click-in	<b>098 274 072</b> 92.0000.6614
LED	IP67	294	Ø218 x 20 mm	12/24 V		✓	2.500 mm cable with Open end	<b>098 274 073</b> 92.0000.6615

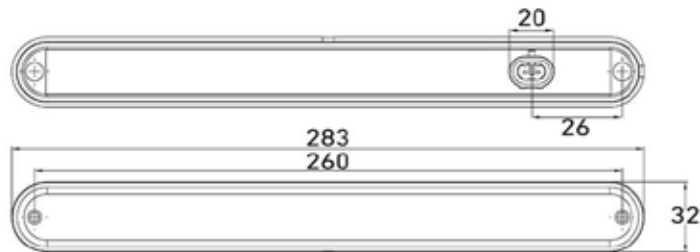
**Spare parts**

Bowl for LED interior light, Dimension: : Built-in Ø175 mm, outside Ø218 mm

**098 291 070**  
92.0000.6671



**LED interior lights - Surface mounting or Built-in**



Lens: PMMA  
 Housing/holder: Polypropylen (PP)  
 Bolt hole distance: 260 mm

Functions								
Lighting	IP-Rating	Lumen	Dimension	Operation voltage	Surface mounting	Built-in	Connection	Article No.
LED	IP67	60	283 x 24 x 32 mm	24V	✓	✓	500 mm cable with Super Seal socket	<b>098 274 725</b> 92.0000.6558





## REVERSE & WORK LIGHTS

### Lumen specification

The reversing lights in the following section are specified with a theoretical and an effective lumen.

The theoretical lumen is the calculated lumen of the light source.

The effective lumen is the light measured outside the lens.



## Standard product programme with large flexibility

Compact design, universally applicable and various connection possibilities

ERMAX reversing lights and work lights are available in 3 design types with different light performances / lumen.



**LED Reverse light**

Lumen:  
Theoretical 650 / Effective 300



**LED Work light**

Lumen:  
Theoretical 800 / Effective 600



**LED Work light**

Lumen:  
Theoretical 1600 / Effective 1200

Approved as reversing light (ECE -R23) with 30° angling by vertical mounting



**LED Work light**

Lumen:  
Theoretical 2400 / Effective 1800

Approved as reversing light (ECE -R23) with 35° angling by vertical mounting.



This type is also available with handle and on/off switch.

## Universally applicable

### Mounting options

ERMAX working lights have a compact design with measures meaning that they can be mounted in a very narrow place. The compact design and symmetric light distribution give a large degree of flexibility when mounting. The work lights can be standing, hanging, rear or side mounted.

Mounting options ERMAX work lights



Standing



Hanging



Side



Rear



## Easy maintenance

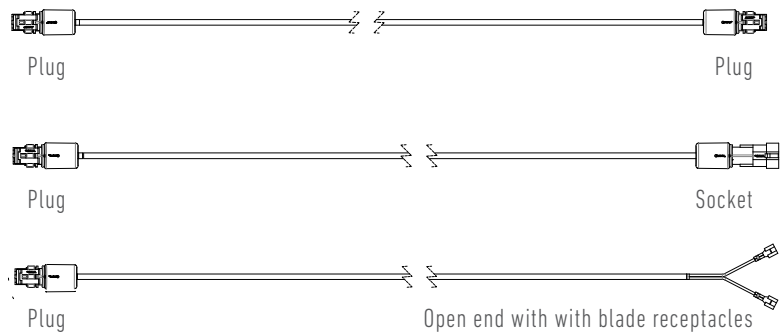
### Various connection variations

ERMAX work lights are available with various connection variations – connection cable with Open end, Super Seal socket or “Deutsch” socket. For connector variants, Ermax always offers a standard cable length of 300 millimeters to the first plug connection. The cable length can be adjusted according to need by means of standard extension cable or adapter cable. This ensures optimum ease of maintenance. The large variety of cable solutions ensures the best installation without having to adjust the cable length (see page 23-27).

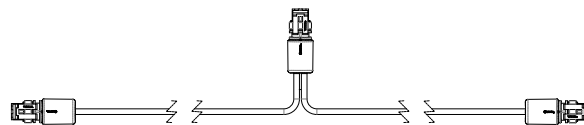
#### Connection / Extension possibilities ERMAX work lights



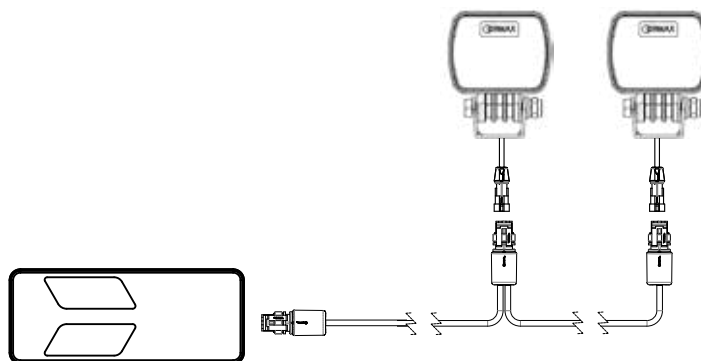
#### Extension cable with Super Seal connection



#### Y-Adapter with 3 x Super Seal plugs



#### Reverse light connected as a chain -connected by a side cable with 1 inlet and 2 outlets with Super Seal plugs



2 pieces of Ermax reverse lights or work lights are allowed to be connected to an Ermax tail light (Max 52W)

## Technical features ERMAX reverse lights and work lights

### Technical specifications - Common to all variants

- Impact-resistant lens made of polycarbonate
- Housing made of aluminium, black lacquer (anti corrosion layers)
- Mounting bracket made of stainless steel, AISI 304 quality
- Mounting bolts M8 / 30 mm
- Multivolt 12/24V
- Working temperature -40 °C bis +65 °C
- Flood light pattern
- Colour temperature 6.500 °Kelvin
- Protection class IP69K
- Overheating and reverse polarity protection
- ADR and EMC/R10 approved
- ECE-R23 approved

### Advantages of the newest LED light technology

#### - which are optimally utilised in the Ermax reverse lights and work lights

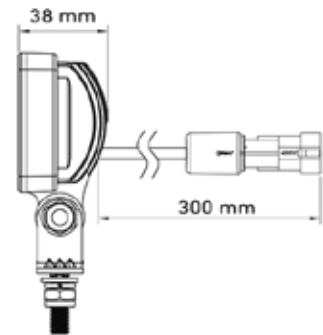
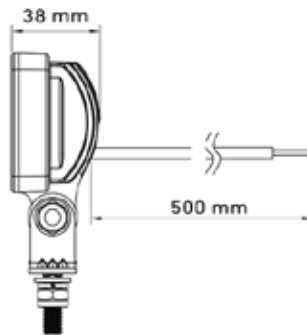
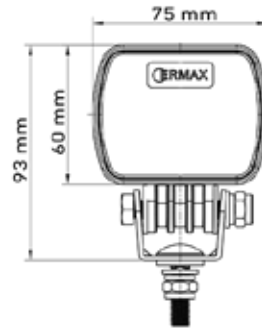
The advantages of the newest LED technology, which are optimally utilised in the ERMAX reverse lights and work lights - result in a product with a very high quality and extremely long life - and thus cost-effectiveness, which is a real highlight.

- High light output
- Extremely long lifetime
- 100% water & dustproof
- Low power consumption
- Maintenance free
- High shock and vibration resistance
- Effective heat conduction
- Increased profitability

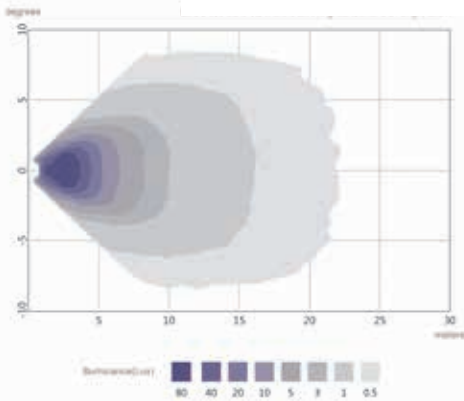


# Reverse Light

Effective Lumen 300



## Illumination



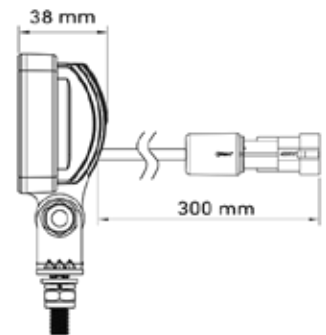
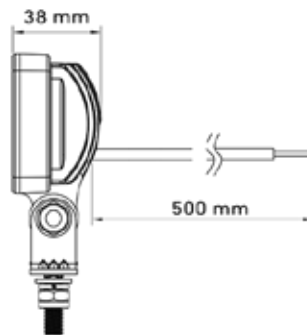
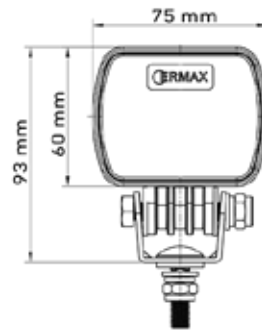
Bird's eye view 1,2 meter above the ground with an incline angle of 5°

Functions							EMC	
Operating voltage	Energy consumption	Connection	Cable length	Light source	Lumen Theoretical / effective	Light pattern	Article No.	
12/24V	6,5 W	Open end	500 mm	6 x high-powered LED	650 / 300	Flood	<b>098 256 250</b> 92.0000.7834	
12/24V	6,5 W	Super Seal socket	300 mm	6 x high-powered LED	650 / 300	Flood	<b>098 256 255</b> 92.0000.7835	

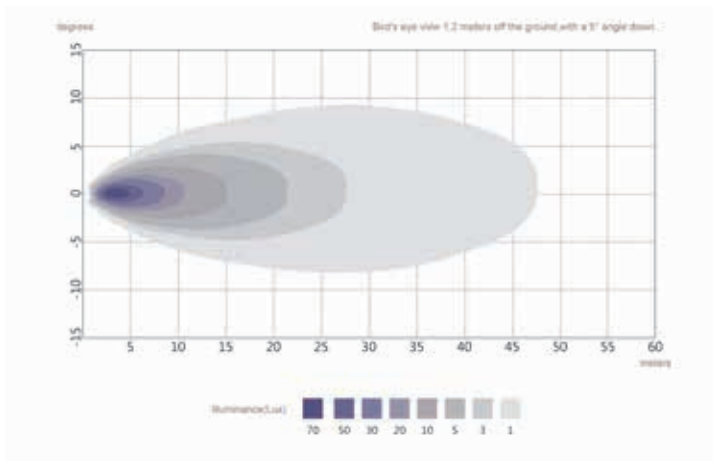


# Work Lights LED

Effective Lumen 600



## Illumination

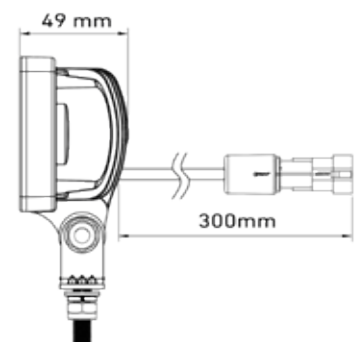
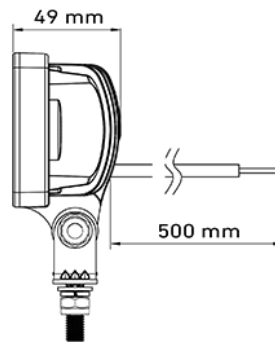
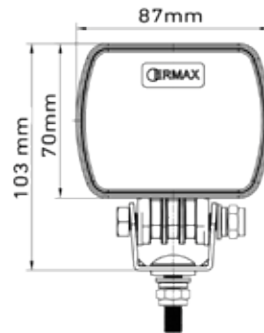


Bird's eye view 1,2 meter above the ground with an incline angle of 5°

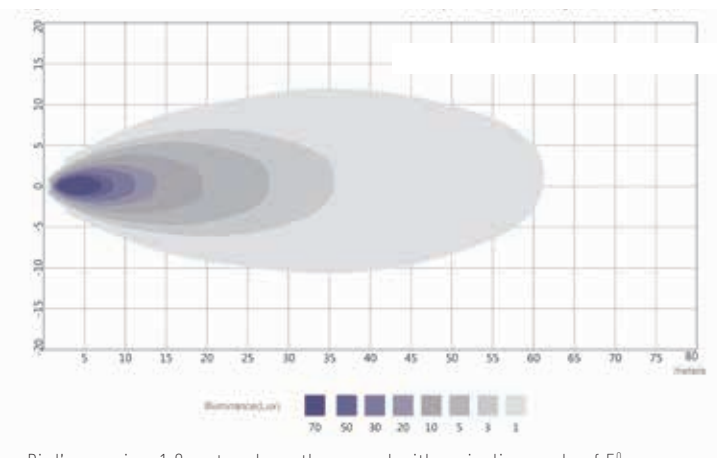
Functions							EMC	
Operating voltage	Energy consumption	Connection	Cable length	Light source	Lumen Theoretical / effective	Light pattern	Article No.	
12/24V	8 W	Open end	500 mm	6 x high-powered LED	800 / 600	Flood	<b>098 174 250</b> 92.0000.7825	
12/24V	8 W	Super Seal socket	300 mm	6 x high-powered LED	800 / 600	Flood	<b>098 174 255</b> 92.0000.7826	

# Work Lights LED

Effective Lumen 1200

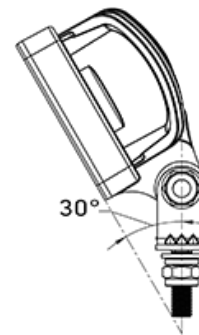


## Illumination



Bird's eye view 1,2 meter above the ground with an incline angle of 5°

Approved as reverse light  
- with 30° tilt when vertical mounted



Functions							EMC	
Operating voltage	Energy consumption	Connection	Cable length	Light source	Lumen Theoretical / effective	Light pattern	Article No.	
12/24V	16 W	Open end	500 mm	9 x high-powered LED	1600 / 1200	Flood	<b>098 174 260</b> 92.0000.7827	
12/24V	16 W	Super Seal socket	300 mm	9 x high-powered LED	1600 / 1200	Flood	<b>098 174 265</b> 92.0000.7828	
12/24V	16 W	Deutsch (DT) socket	300 mm	9 x high-powered LED	1600 / 1200	Flood	<b>098 174 268</b> 92.0000.7829	

# Work Lights LED

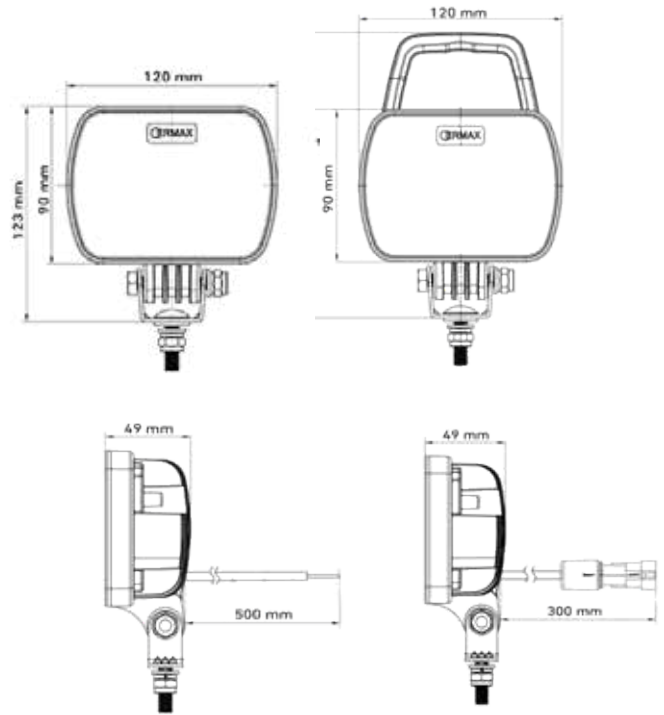
Effective Lumen 1800



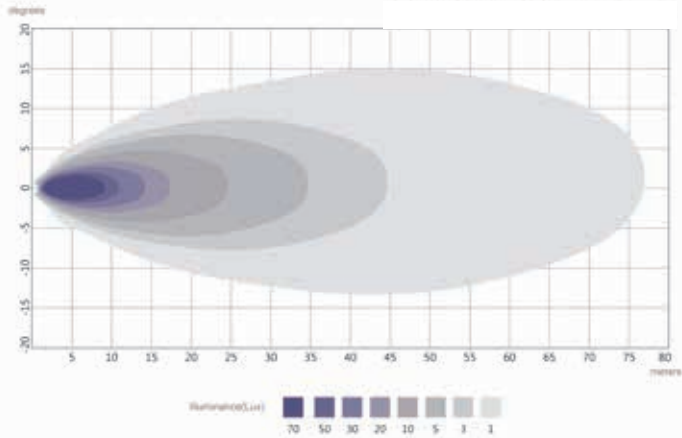
Pos. 1  
Without on/off switch



Pos. 2  
With bracket and on/  
off switch

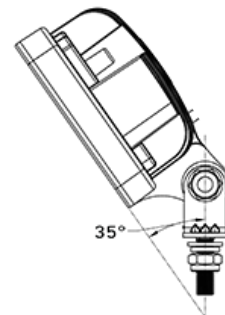


## Illumination



Bird's eye view 1,2 meter above the ground with an incline angle of 5°

Approved as reverse light  
- with 35° tilt when vertical mounted

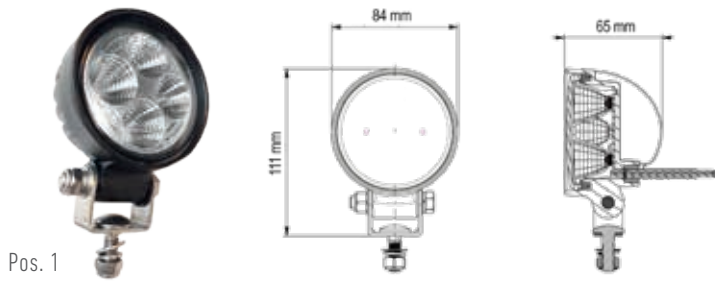


Functions								EMC	
Operating voltage	Energy consumption	Connection	Cable length	Light source	Lumen Theoretical / effective	Light pattern	Pos.	Article No.	
12/24V	25 W	Open end	500 mm	12 x high-powered LED	2400 / 1800	Flood	1	<b>098 174 270</b> 92.0000.7830	
12/24V	25 W	Super Seal socket	300 mm	12 x high-powered LED	2400 / 1800	Flood	1	<b>098 174 275</b> 92.0000.7831	
12/24V	25 W	Deutsch (DT) socket	300 mm	12 x high-powered LED	2400 / 1800	Flood	1	<b>098 174 278</b> 92.0000.7832	
12/24V	25 W	Super Seal socket - with handle & switch	300 mm	12 x high-powered LED	2400 / 1800	Flood	2	<b>098 174 279</b> 92.0000.7833	

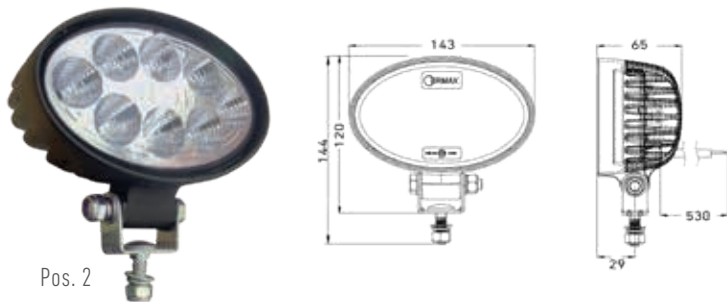
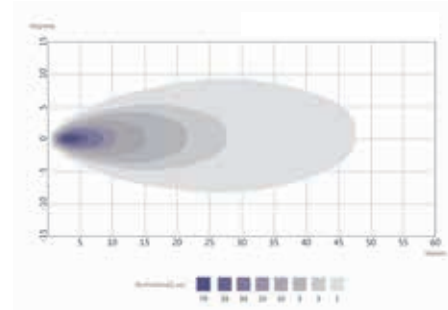
# Addition to a strong family

Further types of ERMAX work lights - Light pattern Flood

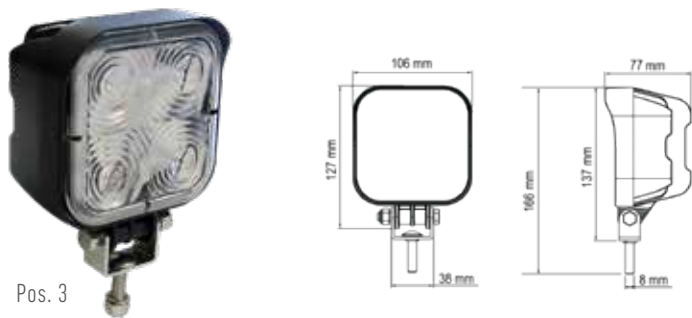
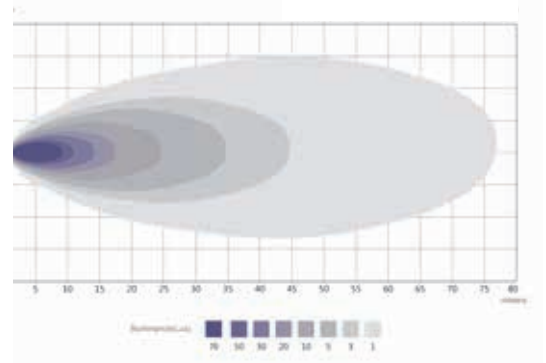
## Illumination



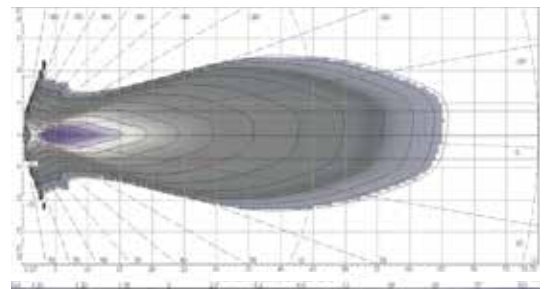
Pos. 1



Pos. 2



Pos. 3

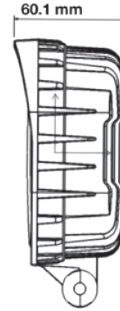
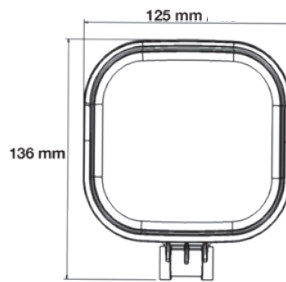


EMC

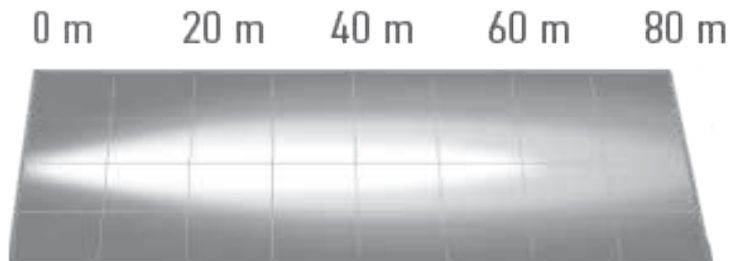
Functions									
Operating voltage	Energy consumption	Connection	Cable length	Light source	Lumen Theoretical / effective	Light pattern	Pos.	Article No.	
12/24V	12 W	Open end	500 mm	4 x LED	100 / 600	Flood	1	<b>098 174 080</b> 92.0000.1474	
12/24V	24 W	Open end	500 mm	8 x LED	2000 / 1400	Flood	2	<b>098 174 095</b> 92.0000.6598	
12/24V	25 W	Open end	1650 mm	4 x LED	3200/ 2200	Flood	3	<b>098 174 149</b> 92.0000.1477	

## Addition to a strong family

Further types of ERMAX work lights - Light pattern SPOT



Light pattern - SPOT



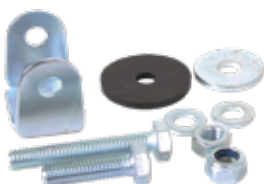
Functions								EMC
Operating voltage	Energy consumption	Connection	Cable length	Light source	Lumen Theoretical / effective	Light pattern	Pos.	Article No.
12 / 24 V	20 W	Open End	280 mm	9 LEDs	2.100 / 1.500	Spot	1	<b>098 174 141</b> 92.0000.1475

## Plug connections – spare parts and accessories

### ERMAX Reverse Lights & Work Lights

The ERMAX plug connector accessory programme offers solutions for almost any application.

Matching mount brackets can also be found in our programme.



Pos. 1



Pos. 2



Pos. 3



Pos. 4



Pos. 5



Pos. 6



Pos. 7



Pos. 8



Pos. 9

Spare parts and accessories		Article No.
Mounting bracket for 37 mm light fixation - Kit set with	1	<b>098 296 174</b> 92.0000.7115
Super Seal plug 2 poled, Diameter yellow seal Ø 1,8 - 2,4 mm, Blade receptacle 0,5 - 1,0 mm <sup>2</sup>	2	<b>099 110 019</b> 92.0000.1686
Super Seal socket 2 pole, Diameter yellow seal Ø 1,8 - 2,4 mm, Blade receptacle 0,5 - 1,0 mm <sup>2</sup>	3	<b>099 110 018</b> 92.0000.1685
Rubber grommet for 2 pole Super Seal plug	4	<b>099 110 712</b> 92.0000.1687
T-coupling for 2 pole Super Seal plug (3 sockets)	5	<b>099 111 415</b> 92.0000.1692
Blanking plug for 2 pole Super Seal socket - black plastic	6	<b>099 110 028</b> 92.0000.0004
Blanking plug for 2 pole Super Seal plug - black plastic	7	<b>099 110 029</b> 92.0000.0023
Deutsch (DT) plug, with blade receptacles 0,75-2,0 mm <sup>2</sup>	8	<b>098 291 690</b> 92.0000.6493
Deutsch (DT) socket, with blade terminals 0,75-2,0 mm <sup>2</sup>	9	<b>099 111 043</b>



## REVERSE GEAR ALARM

**Reverse gear alarm**



Housing: Black ABS with galvanized mounting bracket  
 Cyklus: 60/min  
 Distance mounting holes: 22 mm ( Hole Ø 5,2 mm )

**Functions**

IP Rating	Sound outlet	Frequency range	Consumption	Operation voltage	Dimension	Connection	Article No.
IP54	102 dB	2,6 kHz	10W	12/24V	58,8 x 37 mm	250 mm cable with Super Seal plug	<b>090 450 350</b> 92.0000.6857





# WARNING LIGHTS



**Warning lights LED - Surface mounting**

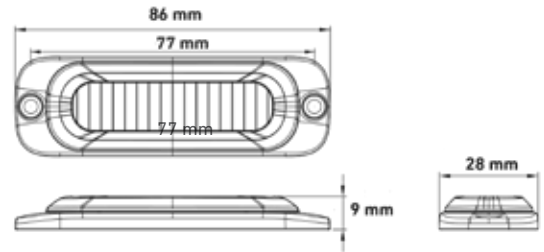
XA1

ECE R65

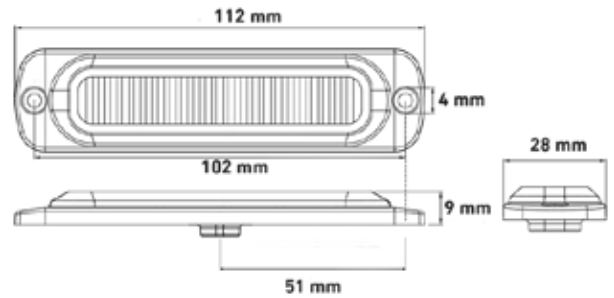
EMC R10



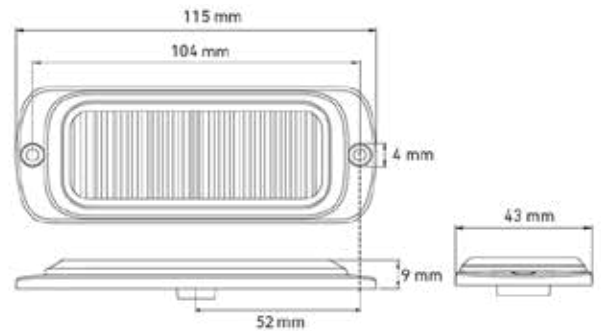
Pos. 1



Pos. 2



Pos. 3



Lens: Impact resistant clear polycarbonate  
 Housing: Impact resistant aluminum  
 Working temperature: -30°C to +80°C

Approved for horisontial mounting

Build-in- and programming instructions are available at: [www.ermamax.dk](http://www.ermamax.dk)

**Functions**

Indicator-colour	Operation voltage	IP Rating	Connection	Cable length	Bolt hole distance	Dimension	Light source	Flash pattern	Pos.	Article No.
Yellow	12/24V	IP69K	Open end	2500 mm	77 mm	86 x 9 x 28 mm	3 x LED	12	1	<b>098 286 444</b> 92.0000.6897
Yellow	12/24V	IP69K	Super Seal socket	250 mm	77 mm	86 x 9 x 28 mm	3 x LED	12	1	<b>098 286 445</b> 92.0000.7205
Yellow	12/24V	IP69K	Open end	2500 mm	102 mm	112 x 9 x 28 mm	6 x LED	19	2	<b>098 286 446</b> 92.0000.6898
Yellow	12/24V	IP69K	Open end	2500 mm	104 mm	115 x 9 x 43,4 mm	12 x LED	25	3	<b>098 286 448</b> 92.0000.6899
Yellow	12/24V	IP69K	Super Seal socket	250 mm	104 mm	115 x 9 x 43,4 mm	12 x LED	25	3	<b>098 286 449</b> 92.0000.7558

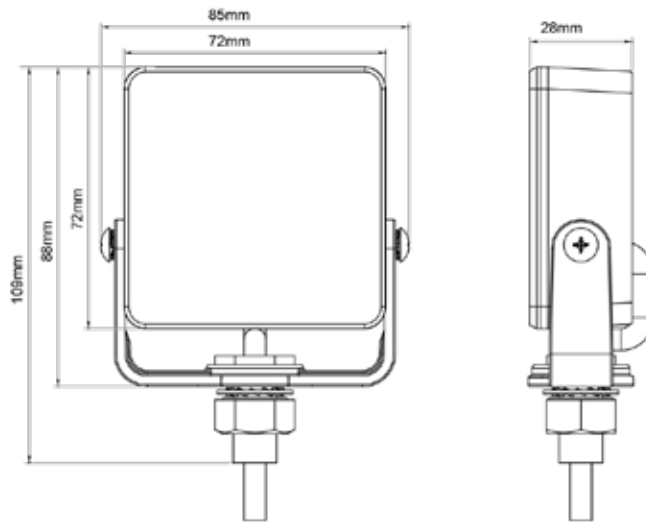
**Warning lights LED**

ECE R65

EMC R10



Pos. 1



Lens: Impact resistant clear polycarbonate  
 Housing: Aluminum  
 Working temperature: -30°C to +80°C

Build-in- and programming instructions are available at: [www.ermax.dk](http://www.ermax.dk)

**Functions**

Indicator-colour	Operation voltage	IP Rating	Connection	Cable length	Mounting	Dimension	Light source	Flash pattern	Article No.
	12/24V	IP69K	Open end	120 mm	U-shaped mounting bracket with ø13mm hole	72 x 72 x 28 mm	4 x LED	5	<b>098 286 290</b> 92.0000.6762





## WARNING BEACONS

**Warning beacons LED 12-24V - ECE REG.65**



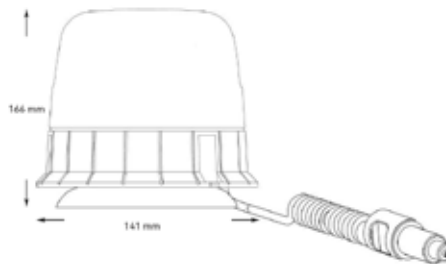
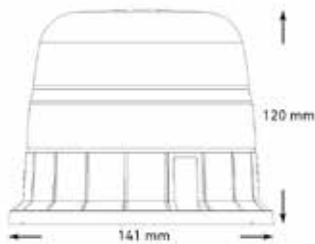
Pos. 1



Pos. 2



Pos. 3



Lens: Polycarbonate  
 Housing: Compound thermoplastic  
 Working temperature: -40°C - +60°C  
 Colour: Amber

Functions							
Mounting	IP Rating	Connection	Dimension	Operation voltage	Consumption	Pos.	Article No.
Firm surface mounting	IP69	150 mm cable Open end	Ø141 x 120 mm	12/24V	9W	1	<b>098 287 400</b> 92.0000.6599
Magnetic base	IP56	Coil cable with plug	Ø141 x 166 mm	12/24V	9W	2	<b>098 287 420</b> 92.0000.6601
For mounting bushes	IP69	Integrated plug in Socket	Ø128 x 125 mm	12/24V	9W	3	<b>098 287 410</b> 92.0000.6600

**Warning beacons LED 12-24V - ECE REG.65**



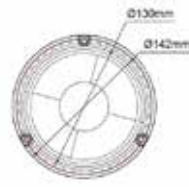
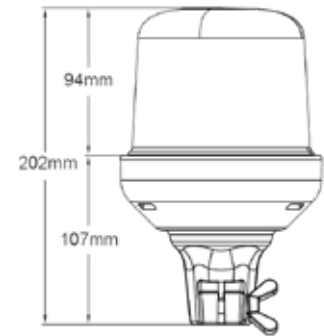
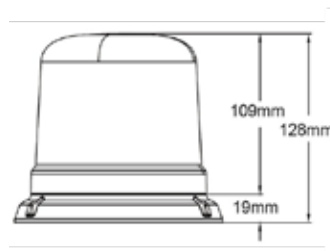
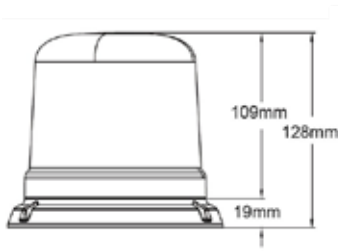
Pos. 1



Pos. 2



Pos. 3



Lens: Polycarbonate  
 Housing: Polycarbonate  
 Working temperature: -30°C to +65°C  
 LED units: 10 x 3W  
 Colour: Amber

Built-in- and programming instructions at: [www.ermas.dk](http://www.ermas.dk)

Functions								
Mounting	IP Rating	Connection	Dimension	Operation voltage	Consumption (depending on f lash patterns)	Flash pattern	Pos.	Article No.
Firm mounting	IP66	400 mm cable Open end	Ø142 x 128 mm	12/24V	21-42W	11	1	<b>098 287 938</b> 92.0000.6451
Magnet	IP66	Coil cable with plug	Ø142 x 128 mm	12/24V	21-42W	11	2	<b>098 287 940</b> 92.0000.6452
For mounting bushes	IP66	Integrated plug in Socket	Ø130 x 202 mm	12/24V	21-42W	11	3	<b>098 287 936</b> 92.0000.6450

**Warning beacons LED 12-24V - ECE REG.65**



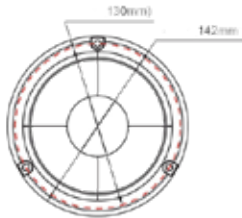
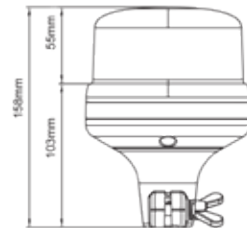
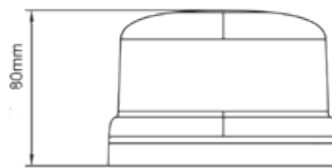
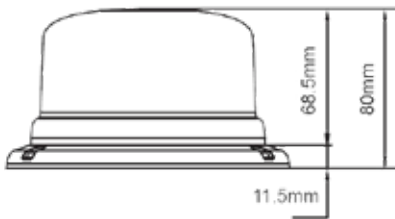
Pos. 1



Pos. 2



Pos. 3



Lens: Polycarbonate  
 Housing: Polycarbonate  
 Working temperature: -30°C to +65°C  
 LED units: 8 x 3W  
 Colour: Amber

Built-in- and programming instructions at: [www.ermas.dk](http://www.ermas.dk)

Functions								
Mounting	IP Rating	Connection	Dimension	Operation voltage	Consumption (depending on flash patterns)	Flash pattern	Pos.	Article No.
Firm mounting	IP66	400 mm cable Open end	Ø142x 80 mm	12/24V	15-30W	11	1	<b>098 287 944</b> 92.0000.6454
Magnetic base	IP66	Coil cable with plug	Ø142 x 80 mm	12/24V	15-30W	11	2	<b>098 287 946</b> 92.0000.6455
For mounting bushes	IP66	Integrated plug in Socket	Ø130 x 158 mm	12/24V	15-30W	11	3	<b>098 287 942</b> 92.0000.6453



Mounting equipment for Warning beacons



Pos. 1



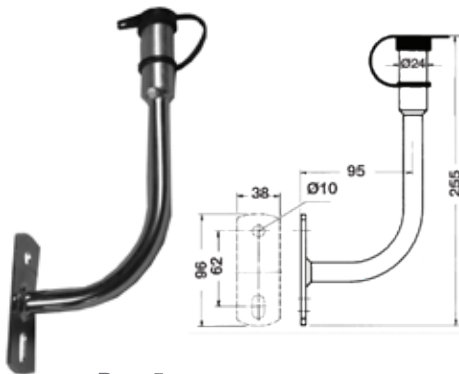
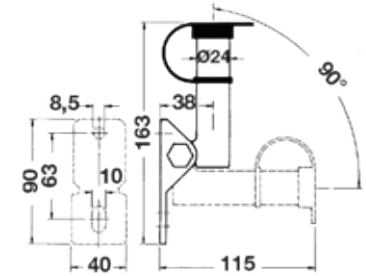
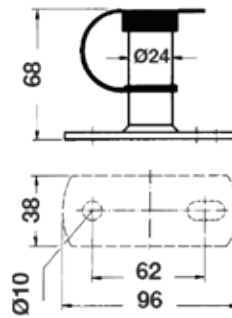
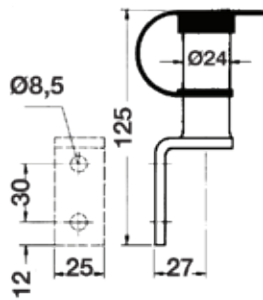
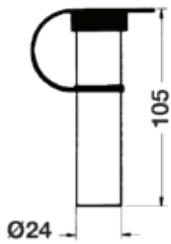
Pos. 2



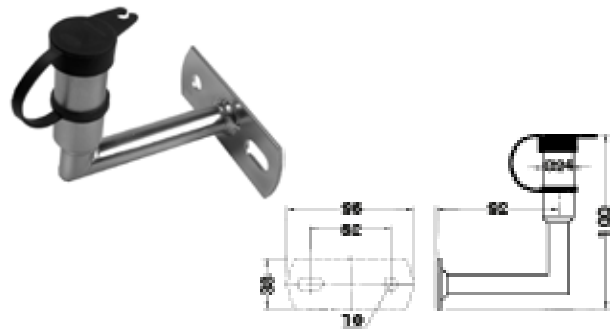
Pos. 3



Pos. 4



Pos. 5



Pos. 6

Functions

DIN Norm	Steel tube	Form	Mounting	Dimension	Connection	Protection cap	Pos.	Article No.
DIN 72 591	Zinc plated	Straight	-	Ø24 x 105 mm	2 poled socket	✓	1	<b>098 295 561</b> 92.0000.1673
DIN 72 591	Zinc plated	Straight	Angled Mounting bracket	Ø24 x 125 mm	2 poled socket	✓	2	<b>098 295 562</b> 92.0000.1674
DIN 72 591	Zinc plated	Straight	Flush mounting	Ø125 x 128 mm	2 poled socket	✓	3	<b>098 295 564</b> 92.0000.1675
DIN 72 591	Zinc plated	Straight	Mounting bracket adjustable	Ø24 x 115	2 poled socket	✓	4	<b>098 295 567</b> 92.0000.1677
DIN 72 591	Zinc plated	90° angled	Flush mounting	Ø24 x 255 mm	2 poled socket	✓	5	<b>098 295 565</b> 92.0000.1676
DIN 72 591	Zinc plated	90° angled	Flush mounting	Ø24 x 100 mm	2 poled socket	✓	6	<b>098 295 583</b> 92.0000.1676





# SIMAC<sup>®</sup> Solutions

Control of flashing side marker lights



## The ERMAX solution is called SIMAC®

Compliant to legislation with unique flexibility

### Control of flashing side marker lights ECE 48 since November 2017

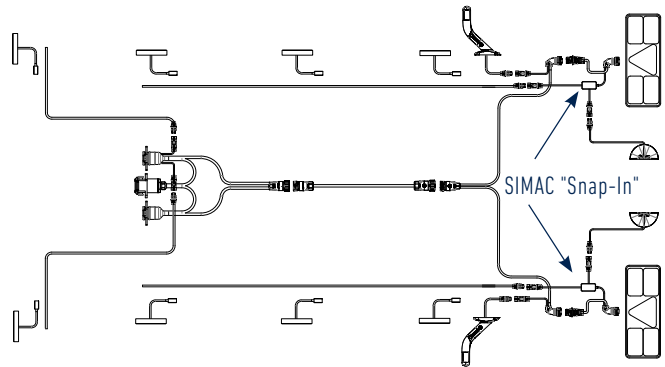
With the ECE regulation No. 48 (Changes series 06) it is prescribed that the side marker lights must flash synchronously and simultaneously with the direction indicators (in the tail light) – this is mandatory for vehicles – class 03 and 04 - being homologated after November 18 2017.

Ermax SIMAC® ensures the compliance with the legislation  
– we will advise the optimal application

**SIMAC: side marker light Control**

### SIMAC "Snap-In" Modul

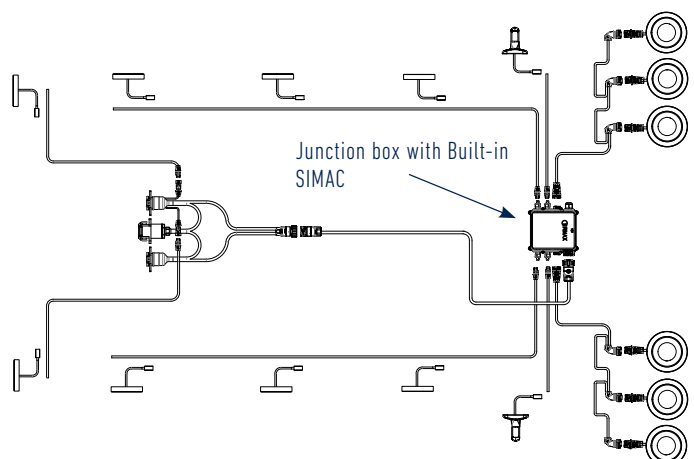
- Ideal for any application, even in retrofit
- The flexible solution in order to keep an existing kit configuration almost unchanged



Product information in the cable section

### SIMAC integrated in the junction box

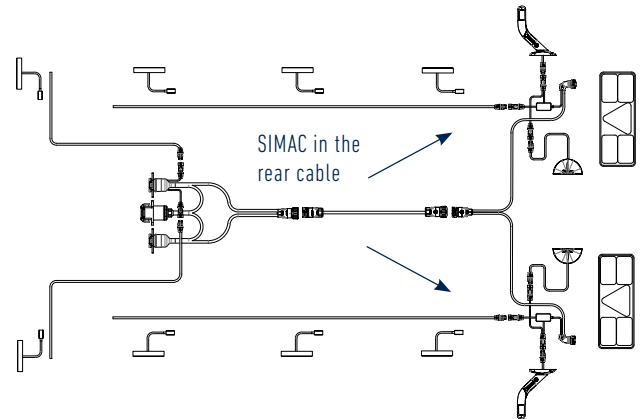
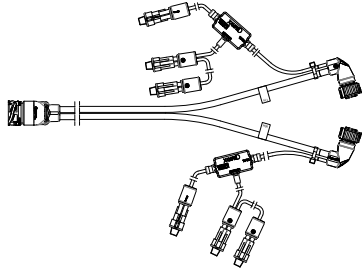
- Mounted in a secure and protected position with ideal plug connection to the system
- The best possible solution especially when 3 & 2 function lights are being used



Product information in the junction box section

### SIMAC integrated in the rear cable

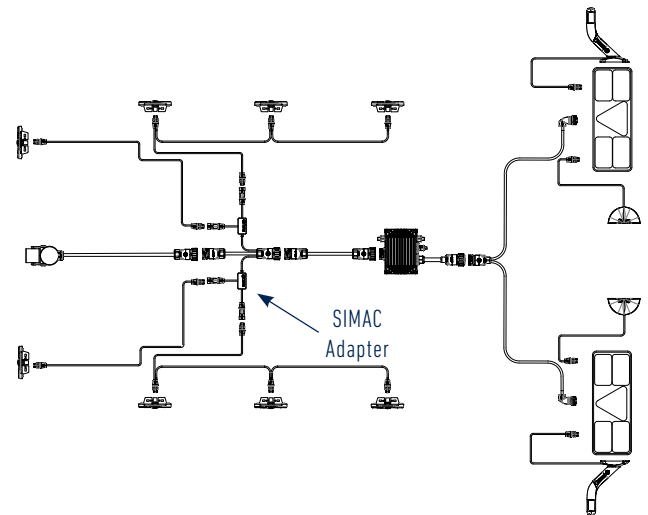
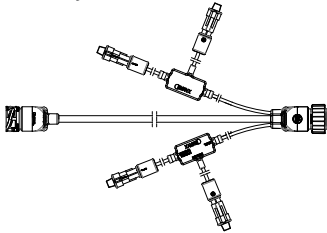
- Optimised design for easy mounting
- Ideal for the lean high-volume solution



Product information in the cable section

### SIMAC as adapter in the main cable

- Allows mounting of side cables from front to back
- Recommendable when a LED control box is used in the cable system



Product information in the cable section

### SIMAC in der tail light integrated

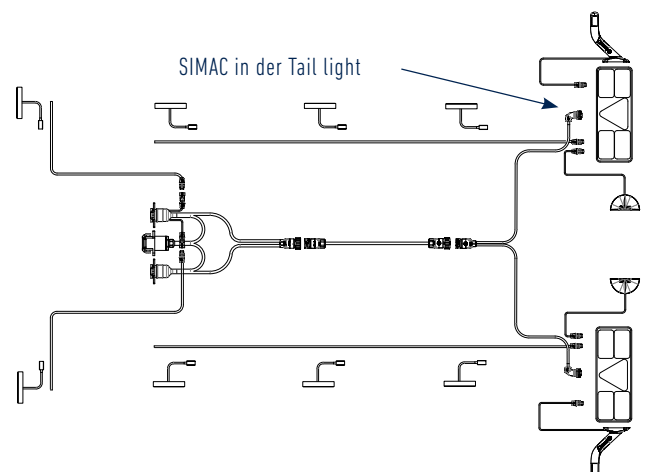
- The easy and ideal solution without external modules
- No further parts or components needed



TM10 LED

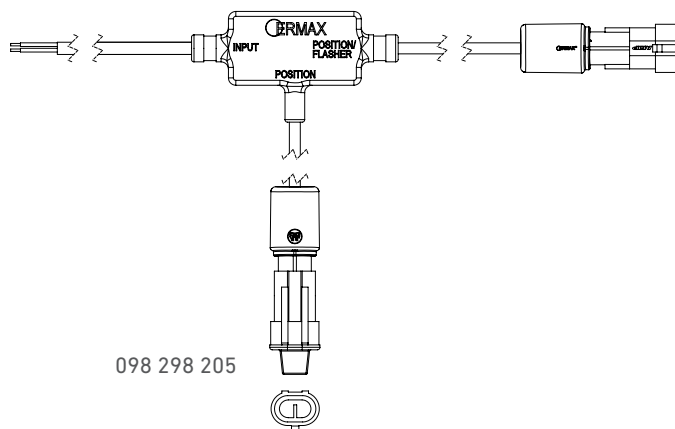
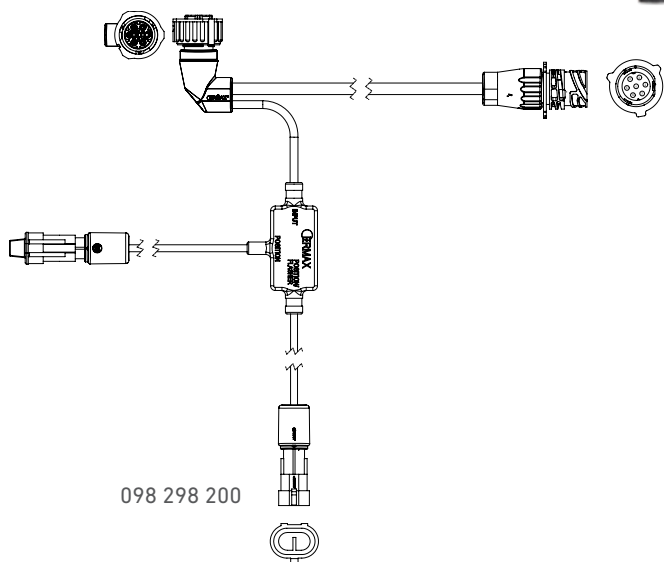


TM11 LED



Product information in the TM10 tail light section

**SIMAC - Side marker control unit**



Controlling the side marker lights. By activating the direction indicator, the side marker light will flash simultaneously. To be connected between rear cable and tail light. With connections for outer end marker light (permanent position light) and for side marker chain. One unit for each side is required.

Function				
IP Rating	inlet	Outlet	Voltage	Article No.
IP67	1x7 poled AMP socket + 1x7 Poled AMP plug	1x Super Seal socket auf 200mm cable for permanent position light 1x Super Seal socket auf 200mm cable for side marker chain.	12/24V	<b>098 298 200</b> 92.0000.6918
IP67	3 core Open-End cable Ground: White Position: Green Dir. indicator: Yellow	1x Super Seal socket auf 200mm cable for permanent position light 1x Super Seal socket auf 200mm cable for side marker chain.	12/24V	<b>098 298 205</b> 92.0000.6919



# CABLE



**Front cable**

Application/ Description	Article No.
<p><b>Front cable with 15 poled socket, straight</b>                      ISO Standard: 12098                      With Ermax bayonet plug                      Conductor cross-section: 12x1 mm<sup>2</sup> + 3x2,5 mm<sup>2</sup>                      Cable type: FLRYY / PVC</p>	
<p><b>15 core cable 600 mm socket, straight</b></p>	<p><b>194 006 500</b> 92.0000.0002</p>
<p><b>15 core cable 6000 mm socket, straight</b></p>	<p><b>194 060 500</b> 92.0000.6165</p>
<p><b>15 core cable 7.500 mm socket, straight</b></p>	<p><b>194 075 500</b> 92.0000.5922</p>
<p><b>15 core cable 13.000 mm socket, straight</b></p>	<p><b>194 130 500</b> 92.0000.1699</p>
<p><b>15 core cable 15.000 mm socket, angled</b></p>	<p><b>194 150 500</b> 92.0000.7483</p>

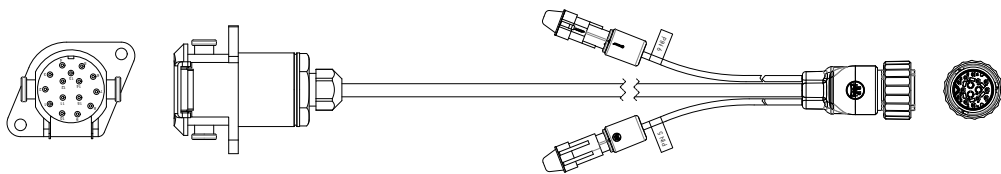


**SIMAC Friendly**

**Front cable with 15 poled socket, straight**  
 2x2 core outlet with Super Seal socket ISO 12098 pin  
 5 position left + pin 6 position right  
 ISO Standard: 12098  
 With Ermax bayonet plug  
 Cable type: FLRYY / PVC

**15 core cable 600 mm**  
 With 2x2 poled outlet pin 5+6  
 Conductor cross-section: 12x1 mm<sup>2</sup> + 3x2,5 mm<sup>2</sup>

**194 006 501**  
92.0000.1696





**Front cable**



**Application/ Description**

**Article No.**

**Front cable with 15 poled plug, straight**

ISO Standard: 12098  
 With Ermax bayonet plug  
 Conductor cross-section: 7x1 mm<sup>2</sup> + 2x2,5 mm<sup>2</sup>  
 Cable type: FLRYY / PVC

**9 core cable 1.000 mm**

Pin-Nr. 9 connected to pin 12 (ISO 12098 Aux 3)

**9 core cable 4.800 mm**

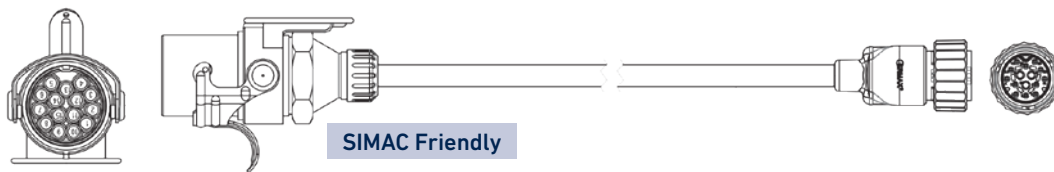
Pin-Nr. 9 connected to pin 12 (ISO 12098 Aux 3)

**294 010 100**

92.0000.6170

**294 048 100**

92.0000.0029



*This front cable is SIMAC Friendly in connection with adapter 394 003 504*

**Front cable with 15 poled plug, straight**

ISO Standard: 12098  
 With Ermax bayonet plug  
 Conductor cross-section: 12x1 mm<sup>2</sup> + 3x2,5 mm<sup>2</sup>  
 Cable type: FLRYY / PVC

**15 core cable 1.000 mm**

**15 core cable 4.800 mm**

**15 core cable 7.000 mm**

**294 010 500**

92.0000.7676

**294 048 500**

92.0000.0025

**294 070 500**

92.0000.6512



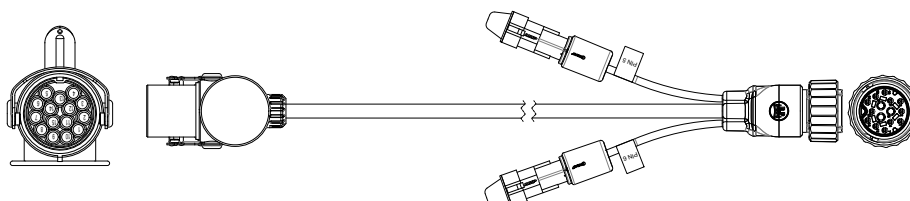
**SIMAC Friendly**


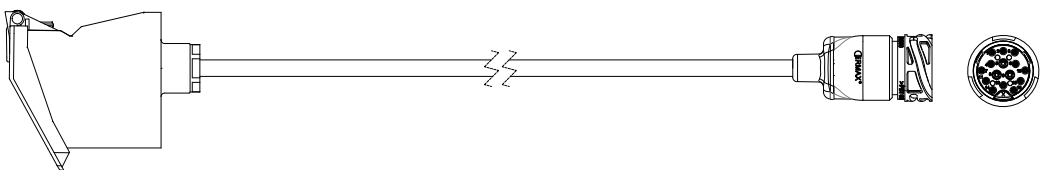
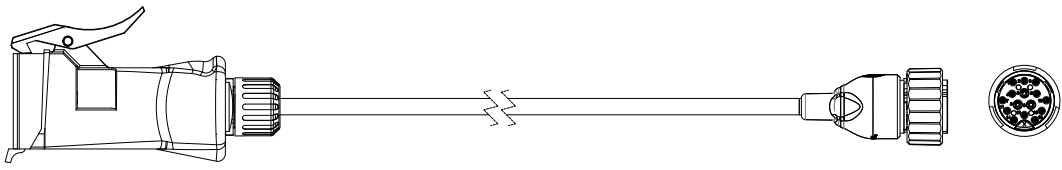
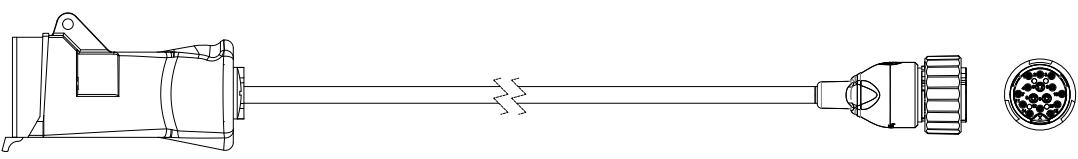
**15 core cable 4.800 mm**

2x2 core outlet with Super Seal socket, pin ISO 12098 5 left position + pin 6 right position.

**294 048 501**

92.0000.6468



Front cable	Application/ Description	Article No.
		
<p><b>Front cable with 14 poled VBG-socket</b>                      With Ermax bayonet plug, straight                      Conductor cross-section: 12x1 mm<sup>2</sup> + 3x2,5 mm<sup>2</sup>                      Cable type: FLRYY / PVC</p>		
<p><b>15 core cable 400 mm socket without SAL (Lock)</b></p>		<p><b>194 004 490</b> 92.0000.6714</p>
<p><b>15 core cable 4.800 mm socket without SAL (Lock)</b></p>		<p><b>294 048 490</b> 92.0000.6273</p>
		
<p><b>Front cable with with 14 poled VBG-Plug</b>                      With Ermax bayonet plug, straight                      Conductor cross-section: 12x1 mm<sup>2</sup> + 3x2,5 mm<sup>2</sup>                      Cable type: FLRYY / PVC</p>		
<p><b>15 core cable 4.800 mm Plug with SAL (Lock)</b></p>		<p><b>294 048 491</b> 92.0000.6274</p>
<p><b>SIMAC Friendly</b> <i>This front cable is SIMAC Friendly in connection with adapter 394 003 504</i></p>		
		
<p><b>15 core cable 4.800 mm Plug without SAL (Lock)</b></p>		<p><b>294 048 493</b> 92.0000.7732</p>
		

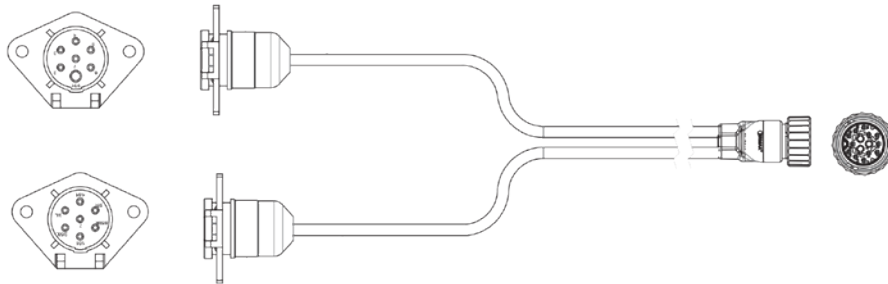
**Front cable**

Application/ Description	Article No.
--------------------------	-------------

**Front cable with 2x7 poled socket, straight**

ISO Standard: 1185 + 3731  
 With Ermax bayonet plug  
 Cable type: FLRYY / PVC  
 Pin-Nr.11 in Ermax bayonet plug not connected  
 (Aux 1 / brake wear sensor)

**14 core (2x7 core) cable 600 mm**  
 Conductor cross-section:  $6 \times 1 \text{ mm}^2 + 1 \times 2,5 \text{ mm}^2$

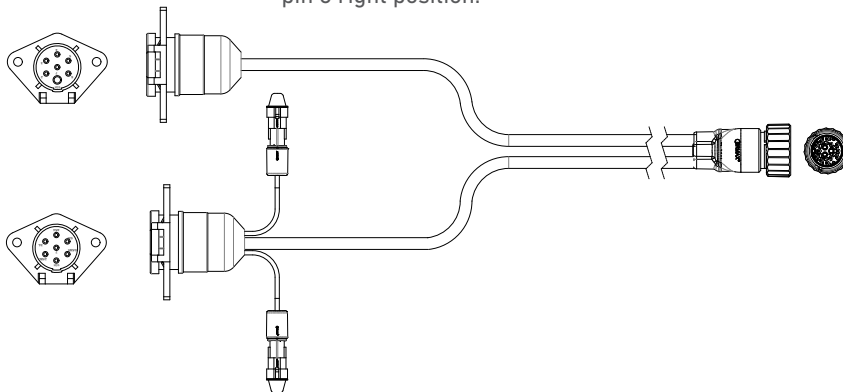


**194 006 430**  
 92.0000.1695

**SIMAC Friendly**

**14 core (2x7 core) cable 600 mm**

Conductor cross-section:  $6 \times 1 \text{ mm}^2 + 1 \times 2,5 \text{ mm}^2$   
 2x2 core outlet with Super Seal socket, ISO 12098 pin 5 left position +  
 pin 6 right position.

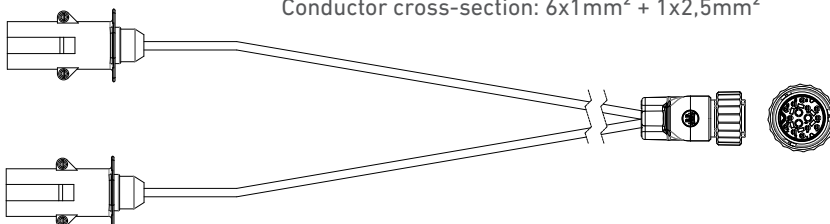


**194 006 433**  
 92.0000.5376

**Front cable with 2x7 poled socket, straight**

ISO Standard: 1185 + 3731  
 With Ermax bayonet plug  
 Cable type: FLRYY / PVC  
 Pin-Nr.11 in Ermax bayonet plug not connected  
 (Aux 1 / brake wear sensor)

**14 core (2x7 core) cable 4.800 mm**  
 Conductor cross-section:  $6 \times 1 \text{ mm}^2 + 1 \times 2,5 \text{ mm}^2$



**SIMAC Friendly**

*This front cable is SIMAC Friendly in connection with  
 adapter 394 003 504*

**294 048 430**  
 92.0000.1700

**Front cable**

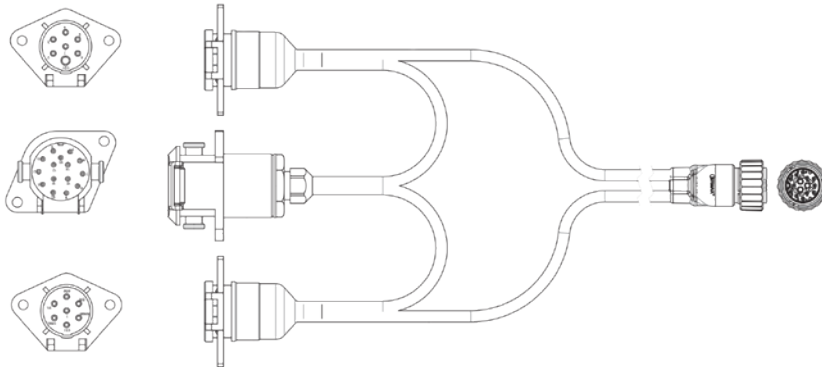
	Application/ Description	Article No.
--	--------------------------	-------------

**Front cable with 15+2x7 poled socket, straight**

ISO Standard: 12098 + 1185 + 3731  
 With Ermax bayonet plug  
 Cable type: FLRY / PVC  
 Pin-Nr.11 in Ermax bayonet plug not connected

**14 core (2x7 core) cable 600 mm**  
 Conductor cross-section:  $6 \times 1 \text{ mm}^2 + 1 \times 2,5 \text{ mm}^2$

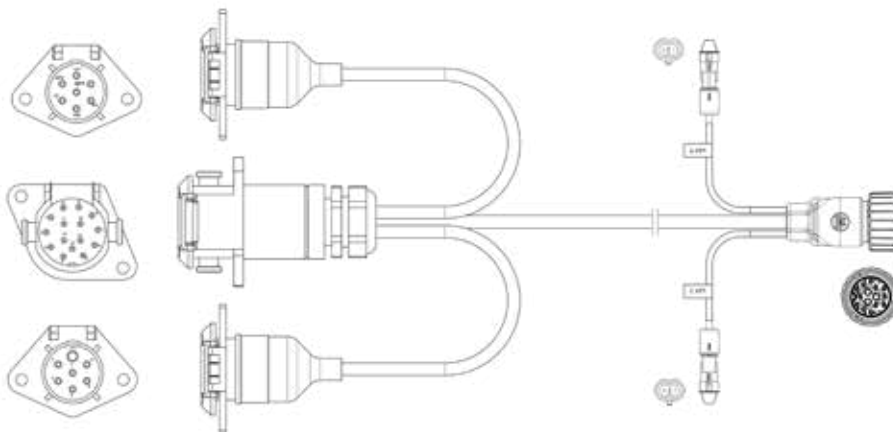
**194 006 410**  
 92.0000.0033



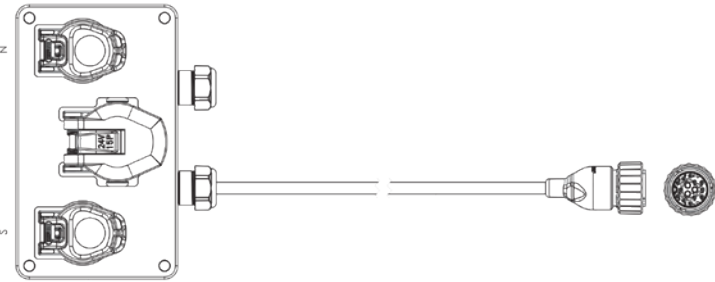
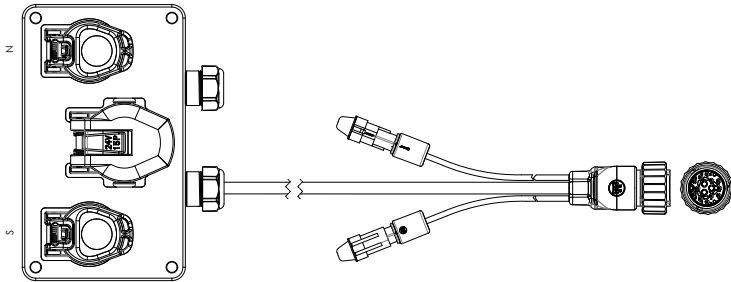
**SIMAC Friendly**

**15 core + 2x7 core cable - 600 mm**  
 Conductor cross-section:  $12 \times 1 \text{ mm}^2 + 3 \times 2,5 \text{ mm}^2$   
 With 2x2 poled outlet with Super Seal socket pin 5+6 LH+RH position

**194 006 511**  
 92.0000.7953



**Front cable**

Application/ Description	Article No.
<p><b>Frontbox with 15+2x7 poled socket, straight</b>                      ISO Standard: 12098 + 1185 + 3731                      With Ermax bayonet plug                      Cable type: FLRYY / PVC</p> <p><b>15 core cable 600 mm</b>                      Conductor cross-section: 12x1 mm<sup>2</sup> + 3x2,5 mm<sup>2</sup></p> 	<p><b>194 006 570</b> 92.0000.1697</p>
<p><b>SIMAC Friendly Frontbox with 15+2x7 poled socket</b>                      2x2 core outlet with Super Seal socket, ISO 12098                      pin 5 left position + pin 6 right position.                      ISO Standard: 12098 + 1185 + 3731                      With Ermax bayonet plug                      Cable type: FLRYY / PVC</p> <p><b>15 core cable 600 mm</b>                      Conductor cross-section: 12x1 mm<sup>2</sup> + 3x2,5 mm<sup>2</sup>, 2x1mm<sup>2</sup></p> 	<p><b>194 006 571</b> 92.0000.1698</p>

**Spare parts / Accessories**



Pos. 1



Pos. 2

Rubber grommet for front screw connection in frontbox. Suitable for 099865050, 194006570 and 194006571	1	<p><b>099 110 230</b> 92.0000.7046</p>
Rubber grommet for front screw connection in frontbox. Suitable for 099865050, 194006570 and 194006571	2	<p><b>099 110 231</b> 92.0000.7047</p>

## Main cable



## Application/ Description

## Article No.

**Main cable**

Ermax bayonet plug &gt; socket

Conductor cross-section:  $8 \times 1 \text{ mm}^2 + 1 \times 2,5 \text{ mm}^2$ 

Cable type: FLRY Y / PVC

Pin-Nr. 9 connected to pin 12 (ISO 12098 Aux 3)

**9 core 4.000 mm****394 040 100**

92.0000.5382

**9 core 6.000 mm****394 060 100**

92.0000.1704

**9 core 7.000 mm****394 070 100**

92.0000.1708

**9 core 9.000 mm****394 090 100**

92.0000.1709

**9 core 10.000 mm****394 100 100**

92.0000.5385

**9 core 13.000 mm****394 130 100**

92.0000.0031

**9 core 15.000 mm****394 150 100**

92.0000.1721

**9 core 17.000 mm****394 170 100**

92.0000.6986

**9 core 20.000 mm****394 200 100**

92.0000.5914

**Main cable**

Ermax bayonet plug &gt; socket

Conductor cross-section:  $12 \times 1 \text{ mm}^2 + 3 \times 2,5 \text{ mm}^2$ 

Cable type: FLRY Y / PVC

**15 core 2.000 mm****394 020 500**

92.0000.6236

**15 core 7.000 mm****394 070 500**

92.0000.6236

**15 core 8.000 mm****394 080 500**

92.0000.6513

**15 core 9.000 mm****394 090 500**

92.0000.0021

**15 core 11.000 mm****394 110 500**

92.0000.6045

**15 core 13.000 mm****394 130 500**

92.0000.0000

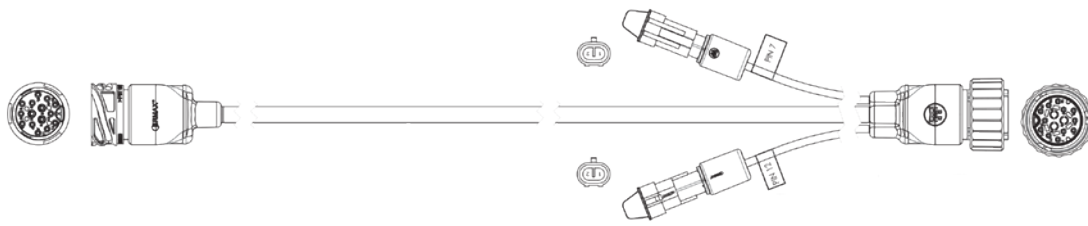
**15 core 15.000 mm****394 150 500**

92.0000.0034

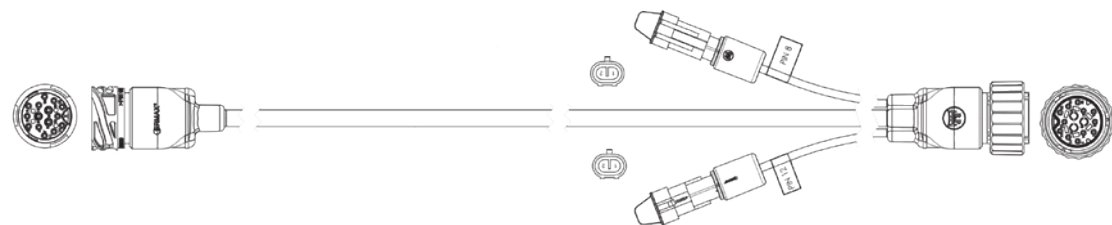


**Main cable**

Application/ Description	Article No.
<p><b>Main cable</b>                      Ermax bayonet plug &gt; socket                      Conductor cross-section: 8x1 mm<sup>2</sup>+1x2,5 mm<sup>2</sup> / 2x1 mm<sup>2</sup>                      Cable type: FLRYY / PVC                      9. core is connected to pin 12 (ISO 12098 Aux 3)                      2x2 poled outlet with Super Seal socket (ISO 12098 Pin 7 stop / Pin 12 lift axle Aux 3)</p>	
<p><b>9 core 9.000 mm 2x2 poled Aux. Pin 7+12 rear</b></p>	<p><b>394 090 101</b>                      92.0000.1710</p>
<p><b>9 core 13.000 mm 2x2 poled Aux. Pin 7+12 rear</b></p>	<p><b>394 130 101</b>                      92.0000.1715</p>
<p><b>9 core 15.000 mm 2x2 poled Aux. Pin 7+12 rear</b></p>	<p><b>394 150 101</b>                      92.0000.1722</p>
<p><b>9 core 19.000 mm 2x2 poled Aux. Pin 7+12 rear</b></p>	<p><b>394 190 101</b>                      92.0000.7560</p>

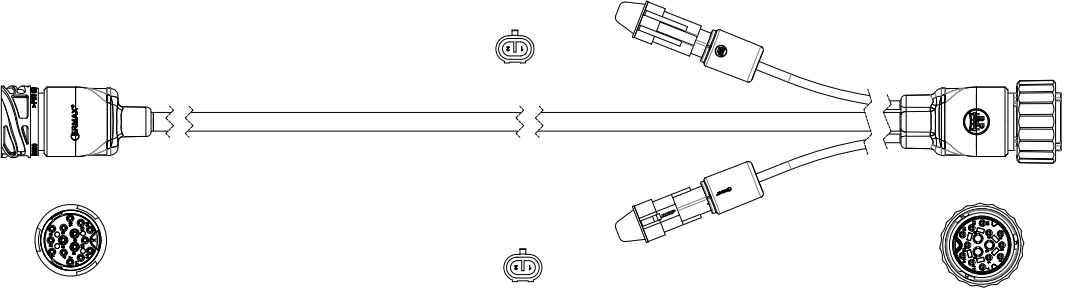



<p><b>Main cable</b>                      Ermax bayonet plug &gt; socket                      Conductor cross-section: 8x1 mm<sup>2</sup>+1x2,5 mm<sup>2</sup> / 2x1 mm<sup>2</sup>                      Cable type: FLRYY / PVC                      9. core is connected to pin 12 (ISO 12098 Aux 3)                      2x2 poled outlet with Super Seal socket (ISO 12098 Pin 8 reverse light / Pin 12 lift axle Aux 3)</p>	
<p><b>9 core 6.000 mm 2x2 poled Aux. Pin 8+12 rear</b></p>	<p><b>394 060 102</b>                      92.0000.5384</p>
<p><b>9 core 9.000 mm 2x2 poled Aux. Pin 8+12 rear</b></p>	<p><b>394 090 102</b>                      92.0000.1711</p>
<p><b>9 core 13.000 mm 2x2 poled Aux. Pin 8+12 rear</b></p>	<p><b>394 130 102</b>                      92.0000.1716</p>
<p><b>9 core 15.000 mm 2x2 poled Aux. Pin 8+12 rear</b></p>	<p><b>394 150 102</b>                      92.0000.1723</p>





**Main cable**

	Application/ Description	Article No.
	<p><b>Main cable</b>                      Ermax bayonet plug &gt; socket                      Conductor cross-section: 8x1 mm<sup>2</sup>+1x2,5 mm<sup>2</sup> / 2x1 mm<sup>2</sup>                      Cable type: FLRY / PVC                      2x2 poled outlet with Super Seal socket (ISO 12098 pin 8 reverse light / pin 9 permanent positive)</p> <p><b>9 core 7.000 mm 2x2 poled Aux. pin 8+9 rear</b></p> <p><b>9 core 9.000 mm 2x2 poled Aux. pin 8+9 rear</b></p> <p><b>9 core 13.000 mm 2x2 poled Aux. pin 8+9 rear</b></p> <p><b>9 core 15.000 mm 2x2 poled Aux. pin 8+9 rear</b></p> <p><b>9 core 17.000 mm 2x2 poled Aux. pin 8+9 rear</b></p> 	<p><b>394 070 105</b> 92.0000.7726</p> <p><b>394 090 105</b> 92.0000.1712</p> <p><b>394 130 105</b> 92.0000.1717</p> <p><b>394 150 105</b> 92.0000.1724</p> <p><b>394 170 105</b> 92.0000.6469</p>
	<p><b>Main cable</b>                      Ermax bayonet plug &gt; socket                      Conductor cross-section: 8x1 mm<sup>2</sup>+1x2,5 mm<sup>2</sup> and 6x1 mm<sup>2</sup>+1x2,5 mm<sup>2</sup>                      Cable type: FLRY / PVC                      with 7 core outlet and 7 poled AMP 1.5 plug</p> <p><b>9 core 6.000 mm</b></p> 	<p><b>394 060 107</b> 92.0000.6883</p>



**Main cable**

**Application/ Description**

**Article No.**

**Main cable**

4x2 poled Aux with Super Seal socket (ISO 12098 pin 8 reverse light / pin 9 permanent positive, pin 5 left position / 6 right position)

Ermac bayonet plug > socket

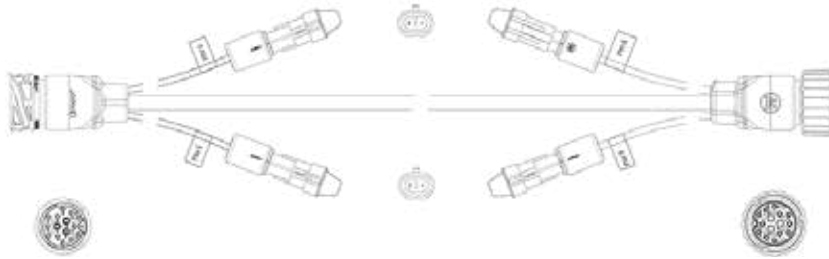
Cable type: FLRYY / PVC

**9 core 9.000 mm**

Conductor cross-section: 8x1 mm<sup>2</sup>+1x2,5 mm<sup>2</sup> + 2x1mm<sup>2</sup>

**394 090 115**

92.0000.5360



**Main cable / Intermediate / Adapter**

Ermac bayonet plug > socket

Conductor cross-section: 12x1 mm<sup>2</sup>+3x2,5 mm<sup>2</sup> / 2x1 mm<sup>2</sup>

Cable type: FLRYY / PVC

Pin-Nr. 9 connected to pin 12 (ISO 12098 Aux 3)

2x2 poled outlet with Super Seal socket (ISO 12098)

**15 core 300 mm 2x2 poled Aux. Pin 7+12 rear**

Pin 7 stop / Pin 12 lift axle Aux 3)

**394 003 501**

92.0000.1701

**15 core 300 mm 2x2 poled Aux. Pin 8+12 rear**

Pin 8 reverse light / Pin 12 lift axle Aux 3)

**394 003 502**

92.0000.1702

**15 core 300 mm 2x2 poled Aux. Pin5+6 rear**

Pin 8 reverse light / Pin 9 permanent positive

**394 003 505**

92.0000.6087

**SIMAC Friendly**

**15 core 300 mm 2x2 poled Pin 5 + 6 (Position R/L)**

Pin 5 position left / Pin 6 position right

**394 003 504**

92.0000.7042

**SIMAC Integrated**

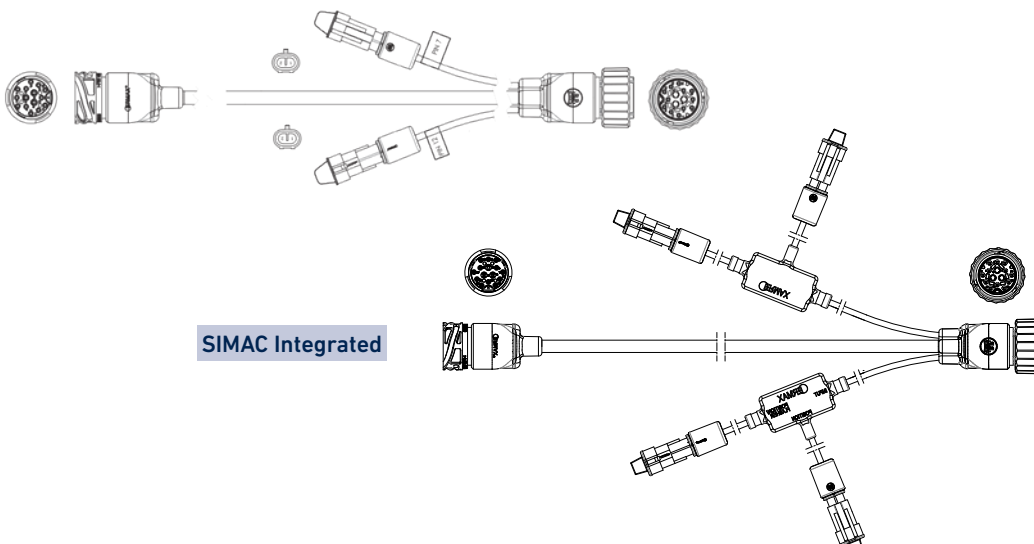
**15 core 300 mm 2xSIMAC (Position R/L)**

Pin 5 position left / Pin 6 position right

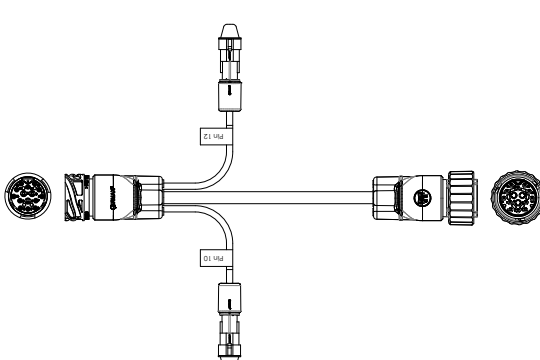
**394 003 506**

92.0000.7481

Position/Direction indicator left / Position/Direction indicator right



**SIMAC Integrated**

Main cable	Application/ Description	Article No.
	<p><b>Main cable (Adapter)</b>                      Ermax bayonet plug &gt; socket                      2x2 poled outlet with Super Seal socket (ISO 12098 Pin 10 brake-wear sensor / Pin 12 lift axle Aux 3)                      2x2 poled Aux. pin 10+12 rear                      Cable type: FLRYY / PVC</p> <p><b>15 core 300 mm</b>                      Conductor cross-section: 12x1 mm<sup>2</sup>+3x2,5 mm<sup>2</sup> / 2x1 mm<sup>2</sup></p> 	<p><b>394 003 530</b>                      92.0000.5359</p>
	<p><b>Main cable (Adapter) 15 core 300 mm</b>                      Ermax bayonet plug &gt; socket                      Conductor cross-section : 12 x 1,0 mm<sup>2</sup> + 3 x 2,5mm<sup>2</sup> / 2 x 1,0mm<sup>2</sup>                      Cable type : FLRYY / PVC</p> <p><b>15 core 300 mm</b> 4x2 poled outlet with Super Seal socket                      ISO12098 Pin 9, Pin 10, Pin 11, Pin 12                      Front : AUX2 and AUX3                      Rear : AUX1 and permanent positive 24V</p> <p><b>15 core 300 mm</b> 4x2 poled outlet with Super Seal socket                      ISO12098 Pin 7, Pin 8, Pin 10, Pin 12                      Front : AUX1 and AUX3                      Rear : Stop- and reverse light</p> <p><b>15 core 300 mm</b> 4x2 poled outlet with Super Seal socket                      ISO12098 Pin 9, Pin10, Pin 11, Pin 12, Pin14, Pin 15                      Front : permanent positive and AUX3                      Rear : AUX1, AUX2 and CAN H, CAN L</p> 	<p><b>394 003 526</b>                      92.0000.6086</p> <p><b>394 003 533</b>                      92.0000.6086</p> <p><b>394 003 534</b>                      92.0000.6086</p>

## Main cable



## Application/ Description

## Article No.

**Main cable (Adapter)**

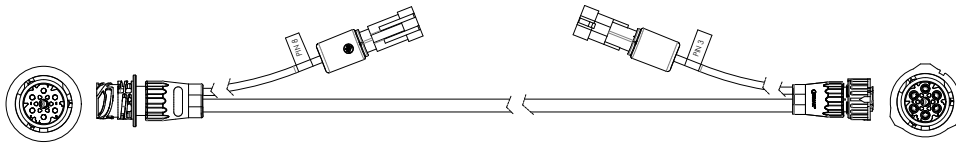
AMP 1,5 Plug &gt; socket

2x2 poled outlet with Super Seal socket (ISO 12098 pin 8 reverse light / pin 3 rear fog light)

Cable type: FLRY Y / PVC

**7 core 300 mm 2x2 poled aux. pin 8+3**Conductor cross-section:  $6 \times 1 \text{ mm}^2 + 1 \times 2,5 \text{ mm}^2 / 2 \times 1 \text{ mm}^2$ **394 003 001**

92.0000.5358

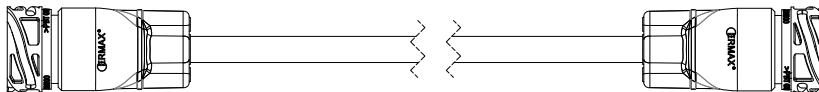
**Main cable (Adapter)**

Ermax bayonet socket &gt; socket

Cable type: FLRY Y / PVC

**15 core 300 mm**Conductor cross-section:  $12 \times 1 \text{ mm}^2 + 3 \times 2,5 \text{ mm}^2$ **394 003 560**

92.0000.5359



## Main cable



## Application/ Description

## Article No.

**Main cable, Open end**

Ermax bayonet socket > Open end with blade receptacles 6,3x0,8 mm

Conductor cross-section: 12x1 mm<sup>2</sup> + 3x2,5 mm<sup>2</sup>

Cable type: FLRY Y / PVC

For mounting in junction box

**15 core 500 mm**

**394 005 551**

92.0000.0032

**15 core 6.000 mm**

**394 060 551**

92.0000.1705

**15 core 9.000 mm**

**394 090 551**

92.0000.0030

**15 core 13.000 mm**

**394 130 551**

92.0000.1718

**15 core 15.000 mm**

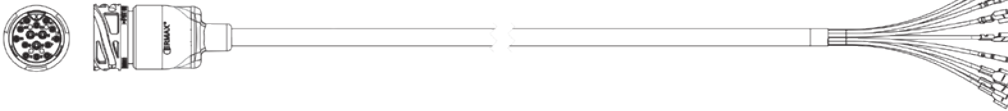
**394 150 551**

92.0000.1725

**15 core 17.000 mm**

**394 170 551**

92.0000.7272

**Main cable, Open end (Front cable)**

Open end with blade receptacles 6,3x0,8 mm > Ermax bayonet plug

Conductor cross-section: 12x1 mm<sup>2</sup> + 3x2,5 mm<sup>2</sup>

Cable type: FLRY Y / PVC

For mounting front box / plug

**15 core 600 mm**

**394 006 571**

92.0000.1703

**15 core 6.000 mm**

**394 060 571**

92.0000.1706

**15 core 9.000 mm**

**394 090 571**

92.0000.1713

**15 core 13.000 mm**

**394 130 571**

92.0000.1719

**15 core 15.000 mm**

**394 150 571**

92.0000.1726

**15 core 17.000 mm**

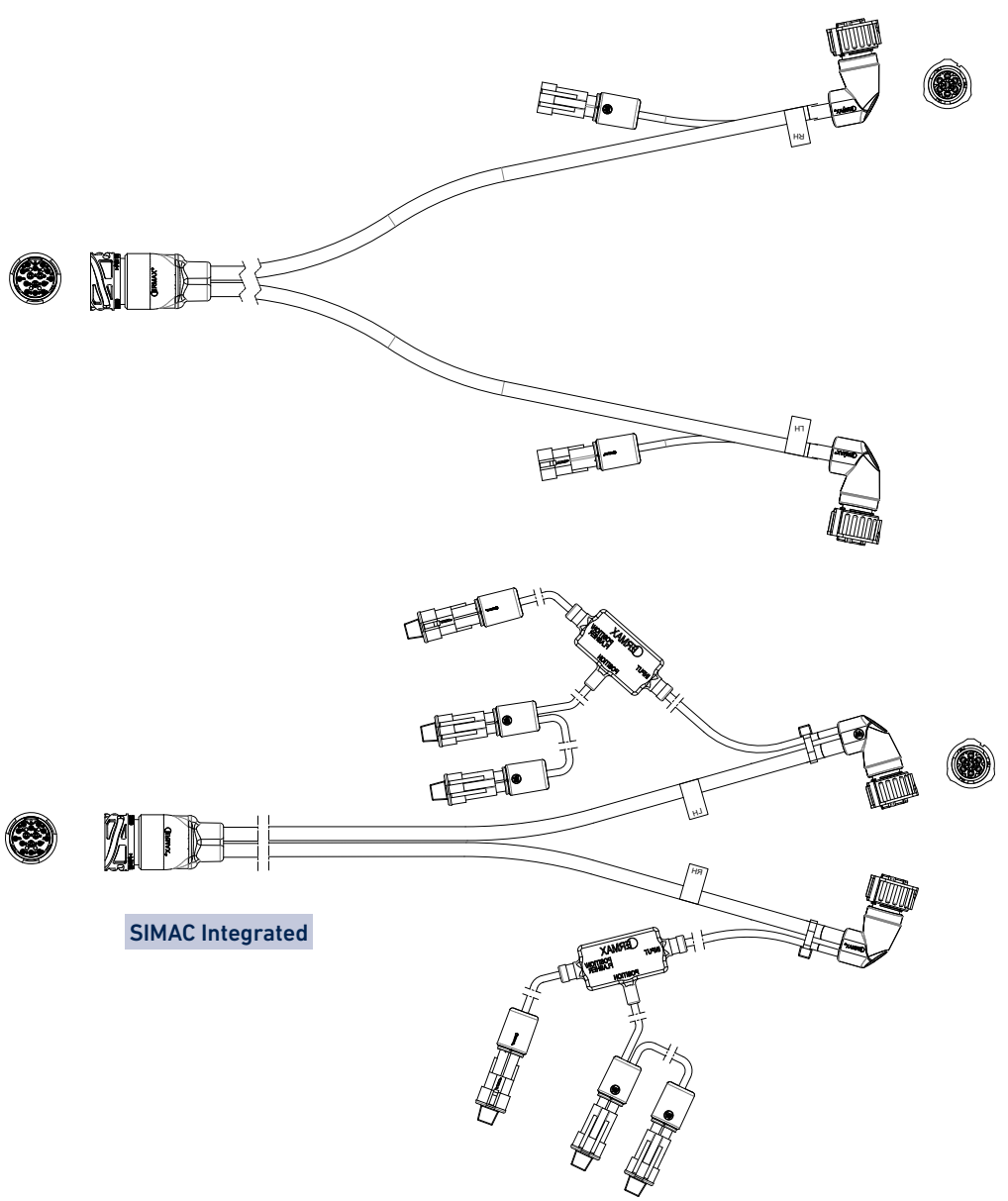
**394 170 571**


92.0000.6038



**Rear cable**



	Application/ Description	Article No.
	<p><b>Rear cable</b>                      Ermax bayonet socket &gt; 2xAMP-1.5-plug, angled                      Cable type: FLRYY / PVC</p> <p><b>2x6 core 2.500 mm</b>                      Conductor cross-section: 6x1 mm<sup>2</sup></p> <p><b>2x6 core 2.500 mm</b>                      With 2x2 poled outlet for side marker light                      Conductor cross-section: 6x1 mm<sup>2</sup> / 2x1 mm<sup>2</sup></p>	<p><b>494 025 600</b>                      92.0000.1737</p> <p><b>494 025 601</b>                      92.0000.1738</p>
<p><b>SIMAC Integrated</b></p>  <p><b>SIMAC Integrated</b></p>	<p><b>2x6 core 2.500 mm</b>                      With SIMAC-Function integrated and 4x2 poled outlet for position light</p>	<p><b>494 025 651</b>                      92.0000.7403</p>

**Rear cable** 

Application/ Description	Article No.
--------------------------	-------------

**Rear cable**

Ermac bayonet socket > 2xAMP 1.5 plug, straight  
Cable type: FLRYY / PVC

**2x6 core 2.500 mm**

Conductor cross-section: 6x1 mm<sup>2</sup>

**494 025 602**

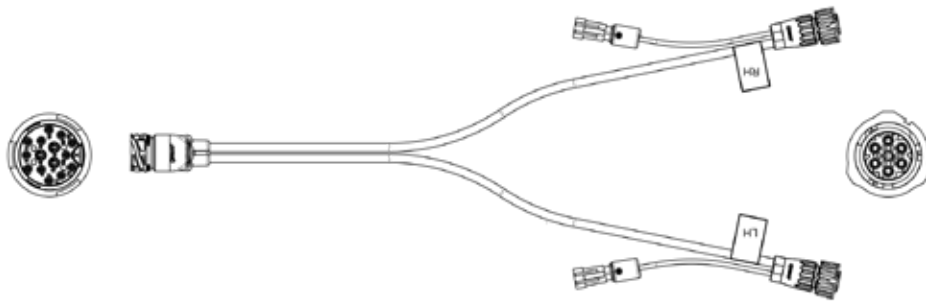
92.0000.1739

**2x6 core 2.500 mm**

With 2x2 poled outlet with Super Seal socket for side marker light  
Conductor cross-section: 6x1 mm<sup>2</sup> / 2x1 mm<sup>2</sup>

**494 025 603**

92.0000.1740



**Rear cable, chain**

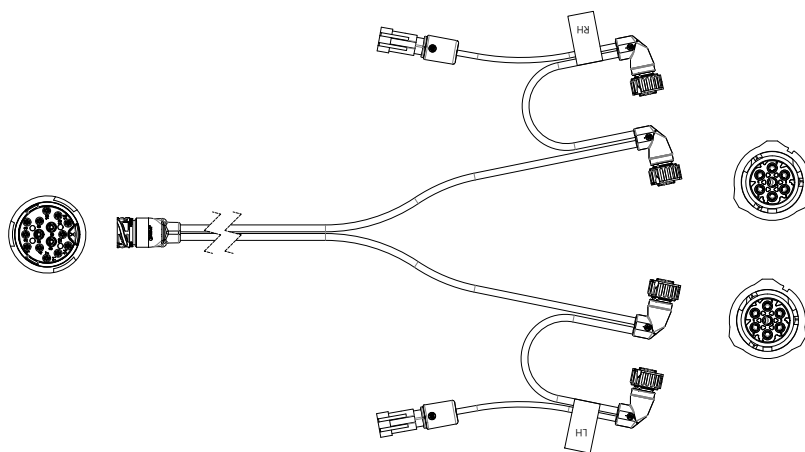
Ermac bayonet socket > 2x2 AMP 1.5 plug, angled  
Conductor cross-section: 6x1 mm<sup>2</sup> / 2x1 mm<sup>2</sup>  
Cable type: FLRYY / PVC

**2x6 core 2.500 mm**

With 2x2 poled outlet with Super Seal socket for side marker light

**494 025 604**

92.0000.1741



## Rear cable



## Application/ Description

**Rear cable,**

Ermax bayonet socket > 2x1 AMP 1.5 plug, angled

Conductor cross-section: 6x1 mm<sup>2</sup> / 2x0,5 mm<sup>2</sup>

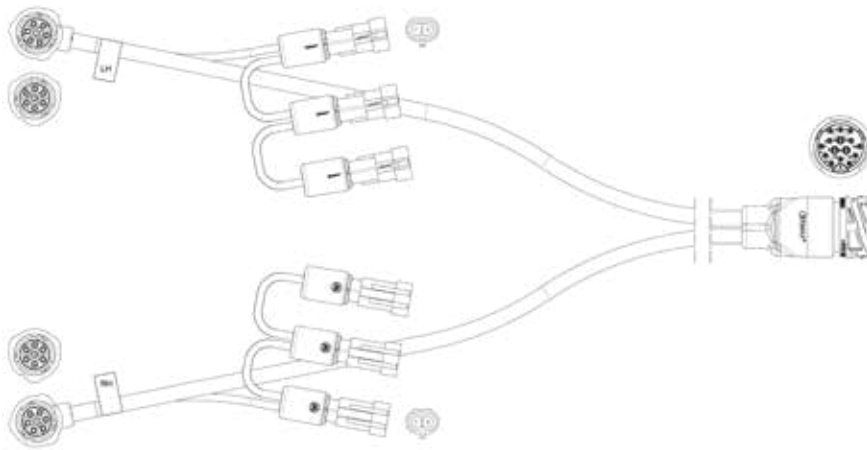
Cable type: FLRYY / PVC

**2x6 core 2.500 mm**

With 2x3 pcs 2-poled outlet with Super Seal socket for side marker light

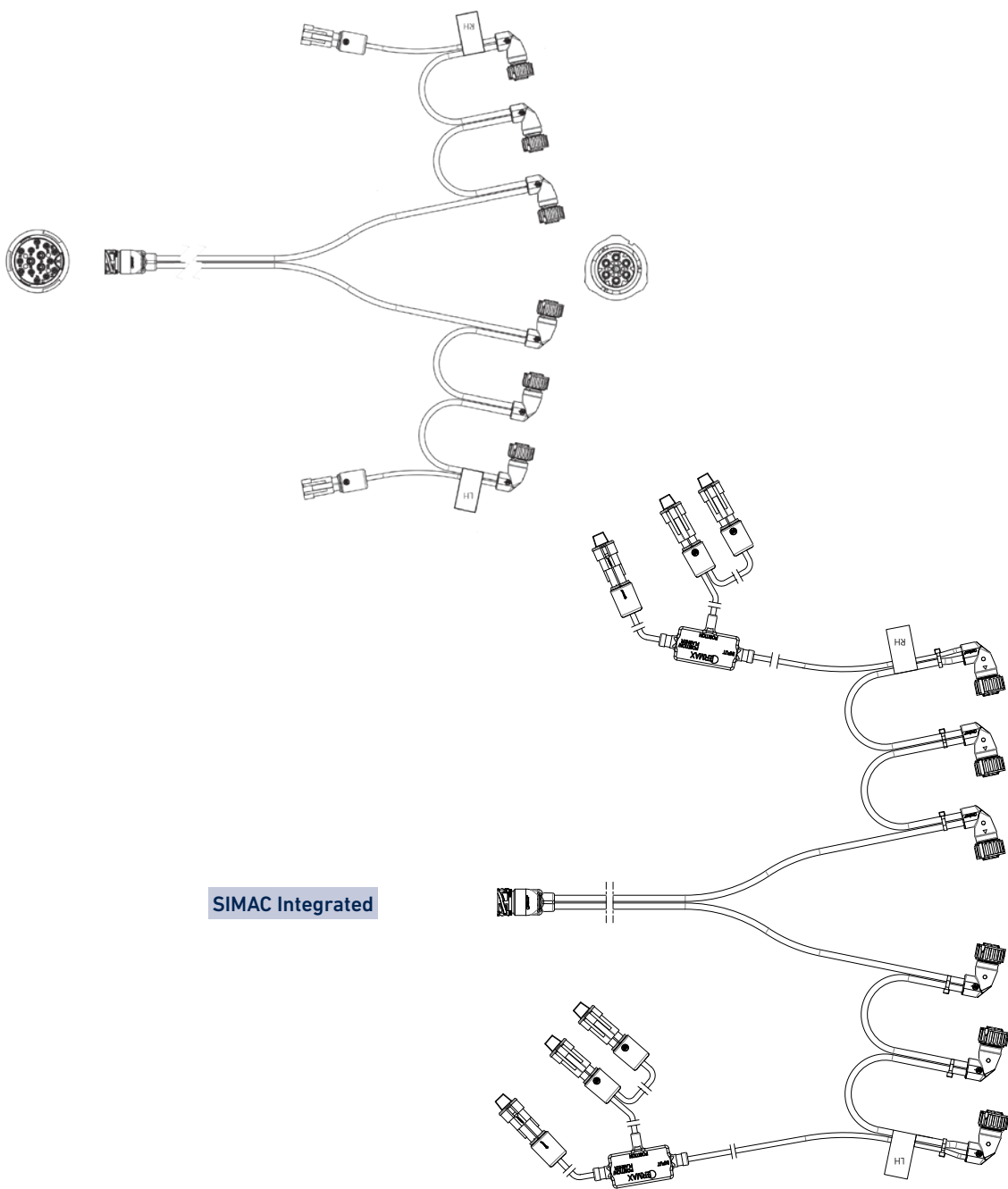
**494 025 607**

92.0000.7710



**Rear cable**

	Application/ Description	Article No.
	<p><b>Rear cable, chain</b>                      Ermax bayonet socket &gt; 2x3 AMP 1.5 plug, angled                      Conductor cross-section: 6x1 mm<sup>2</sup> / 2x1 mm<sup>2</sup>                      Cable type: FLRY Y / PVC</p>	
	<p><b>2x6 core 2.500 mm</b>                      With 2x2 poled outlet with Super Seal socket for side marker light</p>	<p><b>494 025 606</b>                      92.0000.1016</p>
	<p><b>2x6 core 2.500 mm</b>                      With SIMAC-Function integrated and 4x2 poled outlet for position light</p>	<p><b>494 025 656</b>                      92.0000.7404</p>



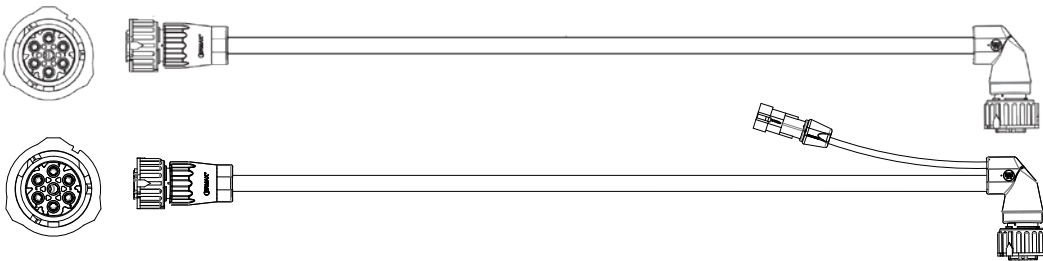
**SIMAC Integrated**



**Rear cable**



Application/ Description	Article No.
<p><b>Rear cable, single</b>                      AMP-1.5 plug, straight &gt; AMP-1.5 plug, angled                      Cable type: FLRY Y / PVC                      For mounting in Ermax junction box</p> <p><b>6 core 1.500 mm</b>                      Conductor cross-section: 6x1 mm<sup>2</sup></p> <p><b>6 core 2.000 mm</b>                      Conductor cross-section: 6x1 mm<sup>2</sup></p> <p><b>6 core 2.000 mm</b>                      With 2 poled outlet for side marker light                      Conductor cross-section: 6x1 mm<sup>2</sup> / 2x1 mm<sup>2</sup></p> <p><b>6 core 2.500 mm</b>                      Conductor cross-section: 6x1 mm<sup>2</sup></p> <p><b>6 core 2.000 mm</b>                      With 2 poligem outlet for side marker light                      Conductor cross-section: 6x1 mm<sup>2</sup> / 2x1 mm<sup>2</sup></p> <p><b>6 core 3.000 mm</b>                      Conductor cross-section: 6x1 mm<sup>2</sup></p> <p><b>6 core 5.000 mm</b>                      Conductor cross-section: 6x1 mm<sup>2</sup></p>	<p><b>494 015 610</b> 92.0000.5386</p> <p><b>494 020 610</b> 92.0000.0038</p> <p><b>494 020 611</b> 92.0000.1735</p> <p><b>494 025 610</b> 92.0000.5389</p> <p><b>494 025 611</b> 92.0000.5390</p> <p><b>494 030 610</b> 92.0000.1742</p> <p><b>494 050 610</b> 92.0000.1744</p>



**Rear cable, single**

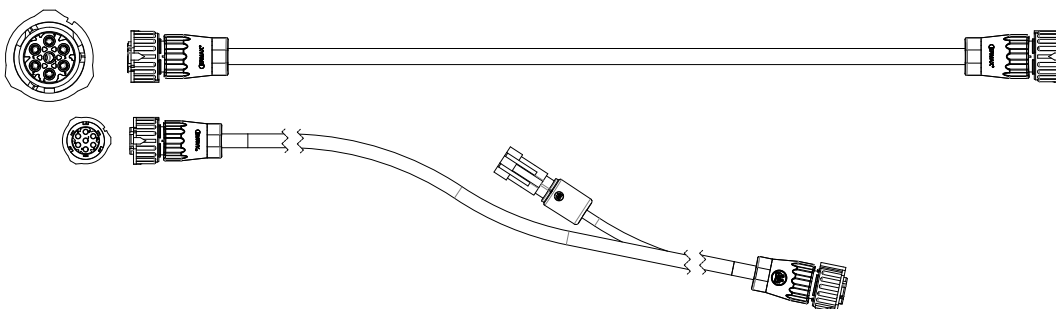
AMP 1.5 plug, straight > AMP 1.5 plug, straight  
 Cable type: FLRY Y / PVC

**6 core 5.000 mm**  
 Conductor cross-section: 6x1 mm<sup>2</sup>

**6 core 2.500 mm**  
 With 2 poled outlet with "Super Seal" socket for side marker light  
 Conductor cross-section: 6x1 mm<sup>2</sup> / 2x1 mm<sup>2</sup>

**494 050 612**  
92.0000.1745

**494 025 613**  
92.0000.5391



## Rear cable



## Application/ Description

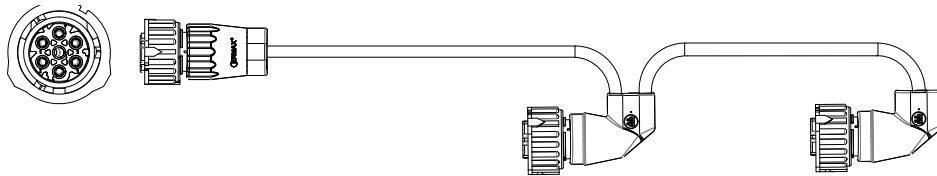
## Article No.

**Rear cable, single, chain**

AMP 1,5-socket > 2xAMP-1.5 plug, angled  
Cable type: FLRY Y / PVC  
For mounting in Ermax junction box

**6 core 2.100 mm**

Conductor cross-section: 6x1 mm<sup>2</sup>

**494 021 620**

92.0000.1736

**Rear cable, single, chain**

AMP 1,5 plug, straight > 3xAMP-1,5 plug, angled  
Cable type: FLRY Y / PVC  
For mounting in Ermax junction box

**6 core 2.100 mm**

Conductor cross-section: 6x1 mm<sup>2</sup>

**6 core 2.100 mm**

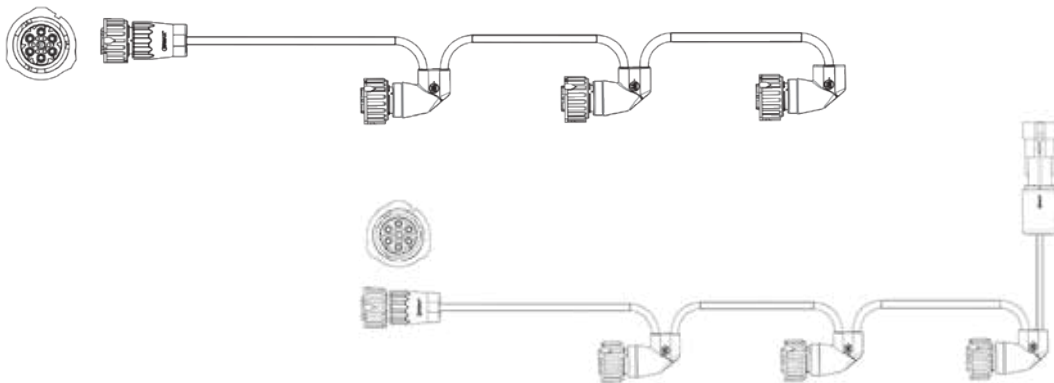
With 2 poled outlet with Super Seal socket for side marker light  
Conductor cross-section: 6x1 mm<sup>2</sup> / 2x0,5 mm<sup>2</sup>

**494 021 630**

92.0000.1012

**494 021 631**

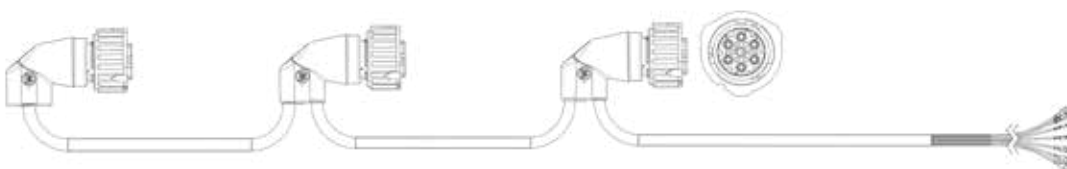
92.0000.7850

**Rear cable, single, chain**

Open end with blade receptacles 6,3 x 0,8 mm > 3 x AMP 1.5 plug,  
angled, distance between plugs: 400 mm.  
Cable type: FLRY Y / PVC

**6 core 2.100 mm**

Conductor cross-section: 6x1 mm<sup>2</sup>

**494 021 657**

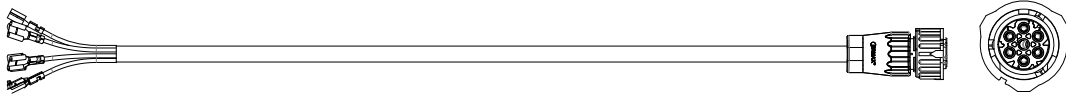

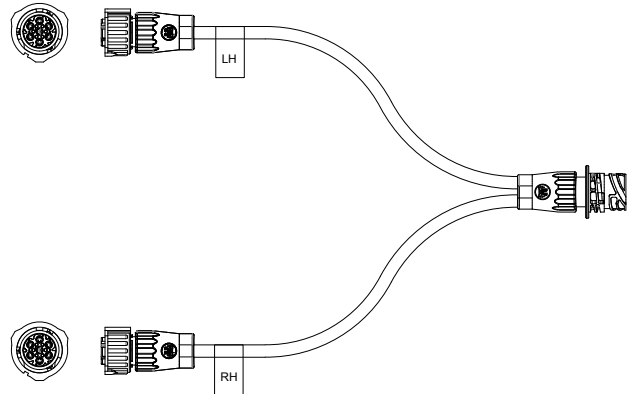
92.0000.5892

**Rear cable**



	Application/ Description	Article No.
	<p><b>Rear cable, single, Open end</b></p> <p>Open end with blade receptacles 6,3x0,8 mm &gt; AMP 1,5 plug, angled                      Cable type: FLRY Y / PVC                      For mounting in junction box</p>	
	<p><b>6 core 1.800 mm</b></p> <p>Conductor cross-section: 6x1 mm<sup>2</sup></p>	<p><b>494 015 651</b> 92.0000.5387</p>
	<p><b>6 core 1.800 mm</b></p> <p>Conductor cross-section: 6x1 mm<sup>2</sup></p>	<p><b>494 018 651</b> 92.0000.1731</p>
	<p><b>6 core 1.800 mm</b></p> <p>With 2 poled outlet with Super Seal socket for side marker light                      Conductor cross-section: 6x1 mm<sup>2</sup> / 2x1 mm<sup>2</sup></p>	<p><b>494 018 652</b> 92.0000.1732</p>
	<p><b>6 core 3.000 mm</b></p> <p>Conductor cross-section: 6x1 mm<sup>2</sup></p>	<p><b>494 030 651</b> 92.0000.5392</p>
	<p><b>6 core 5.500 mm</b></p> <p>Conductor cross-section: 6x1 mm<sup>2</sup></p>	<p><b>494 055 651</b> 92.0000.7148</p>

	<p><b>Rear cable, single, Open end</b></p> <p>Open end with blade receptacles 6,3x0,8 mm &gt; AMP 1.5 plug, straight                      Conductor cross-section: 6x1 mm<sup>2</sup>                      For mounting in Junction box                      Cable type: FLRY Y / PVC</p>	
	<p><b>6 core 1.500 mm</b></p>	<p><b>494 015 653</b> 92.0000.1730</p>
	<p><b>6 core 3.000 mm</b></p>	<p><b>494 030 653</b> 92.0000.1743</p>

Rear cable	Application/ Description	Article No.
	<p><b>Rear cable, single, Open end (for 3 Functions light)</b></p> <p>Open end with blade receptacles 6,3x0,8 mm &gt; AMP 1,5 plug, straight Cable type: FLRY Y / PVC</p> <p><b>4 core 2.000 mm</b> Conductor cross-section: 3x1 mm<sup>2</sup> + 1x2,5 mm<sup>2</sup></p> <p><b>4 core 5.500 mm</b> Conductor cross-section: 3x1 mm<sup>2</sup> + 1x2,5 mm<sup>2</sup></p> 	 <p><b>494 020 453</b> 92.0000.1734</p> <p><b>494 055 453</b> 92.0000.5723</p>
	<p><b>Rear cable</b></p> <p>AMP 1.5 socket &gt; 2xAMP 1.5 plug For connection with tail light right and left Functions: Position-, stop- and dir. indicator light Cable type: FLRY Y / PVC</p> <p><b>2x4 core 1.500 mm</b> Conductor cross-section: 3x1mm<sup>2</sup> + 1x2,5 mm<sup>2</sup></p> 	<p><b>494 015 420</b> 92.0000.5362</p>

## Rear cable / Y-adapter



## Application/ Description

## Article No.

**Y-Adapter cable kabel**

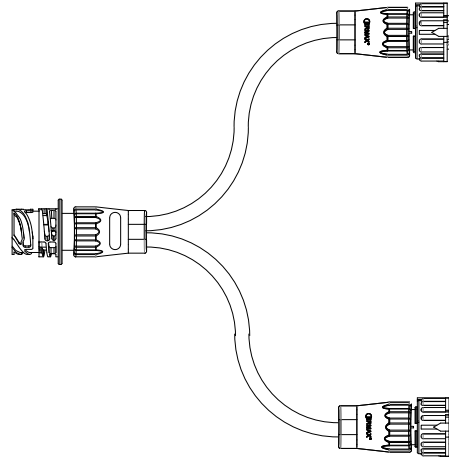
1 x AMP 1.5 socket, straight > 2 x AMP 1.5 plug, straight  
Cable type: FLRYY / PVC

**6 core 2 x 500 mm**

Conductor cross-section:  $5 \times 1 \text{ mm}^2 + 1 \times 2,5 \text{ mm}^2$

**894 005 640**

92.0000.1778

**Y-Adapter cable**

1 x AMP 1,5 plug + 2 x AMP 1,5 socket

Conductor cross-section:  $5 \times 1 \text{ mm}^2 + 1 \times 2,5 \text{ mm}^2 / 2 \times 1 \text{ mm}^2$

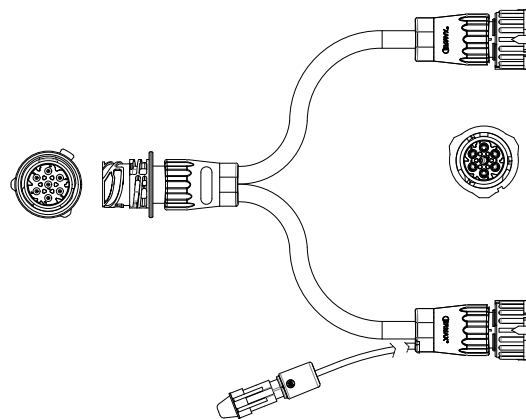
Cable type: FLRYY / PVC

**6 core 2 x 300 mm**

with 1x2 core outlet (200 mm) with Super Seal socket for position-, or side marker light

**894 003 641**

92.0000.5727



## Cable for side marker

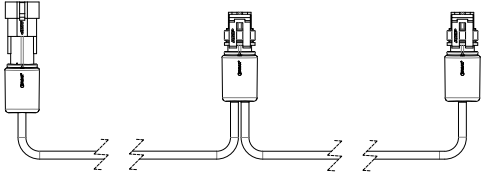
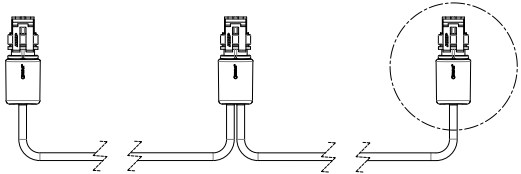



	Application/ Description	Article No.
	<b>Side cable, flat</b> with Super Seal plug Conductor cross-section: 2x1,5 mm <sup>2</sup> Cable type: FLYYF	
	<b>2.000 mm for Click-in System</b>	<b>594 020 000</b> <i>92.0000.7387</i>
	<b>4.000 mm for Click-In System</b>	<b>594 040 000</b> <i>92.0000.5394</i>
	<b>7.000 mm for Click-In System</b>	<b>594 070 000</b> <i>92.0000.1746</i>
	<b>9.000 mm for Click-In System</b>	<b>594 090 000</b> <i>92.0000.0006</i>
	<b>10.000 mm for Click-In System</b>	<b>594 100 000</b> <i>92.0000.5395</i>
	<b>13.000 mm for Click-In System</b>	<b>594 130 000</b> <i>92.0000.0001</i>
	<b>15.000 mm for Click-In System</b>	<b>594 150 000</b> <i>92.0000.1002</i>
	<b>17.000 mm for Click-In System</b>	<b>594 170 000</b> <i>92.0000.1747</i>
	<b>18.000 mm for Click-In System</b>	<b>594 180 000</b> <i>92.0000.1748</i>
	<b>19.000 mm for Click-In System</b>	<b>594 190 000</b> <i>92.0000.1749</i>
	<b>21.000 mm for Click-In System</b>	<b>594 210 000</b> <i>92.0000.5396</i>



**Cable for side marker**

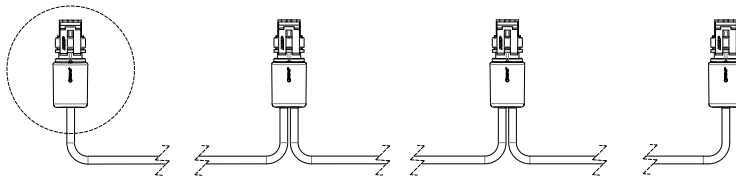


	Application/ Description	Article No.
	<p><b>Side cable, chain</b></p> <p>Suitable as extension cable for side cable chains</p> <p>1 x inlet with Super Seal socket + 2 x outlet with Super Seal plug</p> <p>Conductor cross-section: 2x0,5 mm<sup>2</sup></p> <p>Cable type: FLRYY / PVC</p> <p><b>3.900 mm</b> Distance between socket/Plug: 1x200 mm + 1x3700 mm</p> <p><b>5200 mm</b> Distance between socket/Plug: 1 x 200mm + 1 x 5000mm</p> 	<p><b>694 039 201</b> 92.0000.1752</p> <p><b>694 052 201</b> 92.0000.6094</p>
	<p><b>Side cable, chain</b></p> <p>1 x inlet + 2 x outlet with Super Seal plug</p> <p>Conductor cross-section: 2x0,5 mm<sup>2</sup></p> <p>Cable type: FLRYY / PVC</p> <p><b>3.000 mm</b> distance between plugs: 1x1700 mm + 1x1300 mm</p> <p><b>4.200 mm</b> distance between plugs: 1x1200 mm + 1x3000 mm.</p> <p><b>5.300 mm</b> distance between plugs: 1x300 mm + 1x5000 mm.</p> 	<p><b>694 030 200</b> 92.0000.5399</p> <p><b>694 042 200</b> 92.0000.6046</p> <p><b>694 053 200</b> 92.0000.6074</p>
	<p><b>Side cable, chain</b></p> <p>1 x inlet Open end with blade receptacles 6,3x0,8 mm &gt; + 3 x outlet with Super Seal plug</p> <p>Conductor cross-section: 2x0,5 mm<sup>2</sup></p> <p>Cable type: FLRYY / PVC</p> <p><b>600 mm</b> Distance between Open end and plug: 250 mm +200 mm + 200 mm</p> 	<p><b>694 006 350</b> 92.0000.1750</p>

## Cable for side marker



Application/ Description	Article No.
<p><b>Side cable, chain</b></p> <p>1 x inlet + 3 x outlet with Super Seal plug            Conductor cross-section: 2x0,5 mm<sup>2</sup>            Cable type: FLRYY / PVC</p>	
<p><b>2.500 mm</b>            distance between plugs: 500 mm + 1500 mm + 500 mm</p>	<p><b>694 025 300</b>            92.0000.5398</p>
<p><b>3.200 mm</b>            distance between plugs: 500 mm + 1700 mm + 1000 mm</p>	<p><b>694 032 300</b>            92.0000.5924</p>
<p><b>4.000 mm</b>            distance between plugs: 1000 mm + 2000 mm + 1000 mm</p>	<p><b>694 040 300</b>            92.0000.5400</p>
<p><b>8.000 mm</b>            distance between plugs: 2000 mm + 2000 mm + 4000 mm</p>	<p><b>694 080 300</b>            92.0000.5402</p>
<p><b>9.400 mm</b>            distance between plugs: 2000 mm + 3700 mm + 3700 mm</p>	<p><b>694 094 300</b>            92.0000.6636</p>
<p><b>11.500 mm</b>            Abstand zwischen Steckern: 1500 mm + 5000 mm + 5000 mm</p>	<p><b>694 115 300</b>            92.0000.6544</p>
<p><b>13.500 mm</b>            distance between plugs: 4100 mm + 3900 mm + 5500 mm</p>	<p><b>694 135 300</b>            92.0000.7060</p>





## Cable for side marker



## Application/ Description

## Article No.

**Side cable, chain**

1 x inlet and 4 x outlet with Super Seal plug  
 Conductor cross-section: 2x0,5 mm<sup>2</sup>  
 Cable type: FLRY Y / PVC.

**800 mm**

distance between plugs: 200 mm

**694 008 400**

92.0000.1751

**11.700 mm**

distance between plugs: 1200 mm + 500 mm + 5000 mm + 5000 mm

**694 117 400**

92.0000.6079

**12.400 mm**

distance between plugs: 3200 mm + 2800 mm + 3200 mm + 3200 mm

**694 124 400**

92.0000.6079

**17.500 mm**

distance between plugs: 7000 mm - 3500 mm - 3500 mm - 3500 mm

**694 175 400**

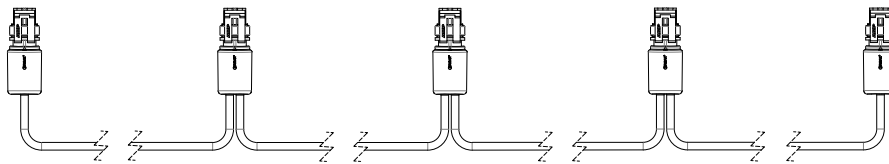
92.0000.6637

**19.500 mm**

distance between plugs: 9000 mm - 3500 mm - 3500 mm - 3500 mm

**694 195 400**

92.0000.5799

**Side cable, chain**

1 x inlet + 5 x outlet with Super Seal plug  
 Conductor cross-section: 2x0,5 mm<sup>2</sup>  
 Cable type: FLRY Y / PVC

**15.100 mm**

distance between plugs: 2x3200 mm + 2x4000 mm 1x700 mm

**694 151 500**

92.0000.5925

**18.200 mm**

distance between plugs: 1x4200 mm + 1x4150 mm + 1x4100 mm +  
 1x5000 mm + 1x750 mm mm

**694 182 500**

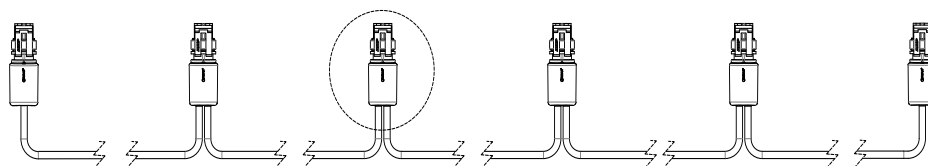
92.0000.6638

**22.500 mm**

distance between plugs: 1x9000 mm + 3x3500 mm + 1x3000 mm

**694 225 500**

92.0000.6581



## Cable for side marker



## Application/ Description

## Article No.

**Side cable, chain**

1 x inlet + 6 x outlet with Super Seal plug

Conductor cross-section: 2x0,5 mm<sup>2</sup>

Cable type: FLRY Y / PVC

**11.500 mm**

distance between plugs: 1x1500 mm + 2x2400 mm

1x2500 mm, 1x1700 mm, 1x1000 mm

**694 115 600**

92.0000.6987

**16.200 mm**

distance between plugs: 1x1200 mm + 5x3000 mm

**694 162 600**

92.0000.0026

**17.500 mm**

distance between plugs: 2x1500 mm + 1x4000 mm + 3x 3500 mm

**694 175 600**

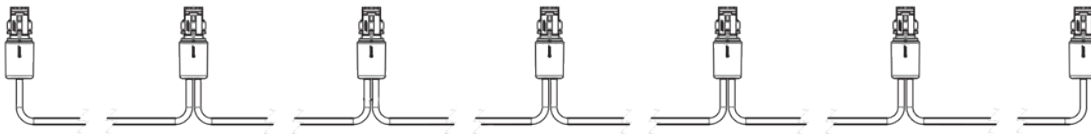
92.0000.6580

**20.500 mm**

distance between plugs: 1x2000 mm + 5x3700 mm

**694 205 600**

92.0000.0039

**Side cable, chain**

1 x inlet + 8 x outlet with Super Seal plug

Conductor cross-section: 2x0,5 mm<sup>2</sup>

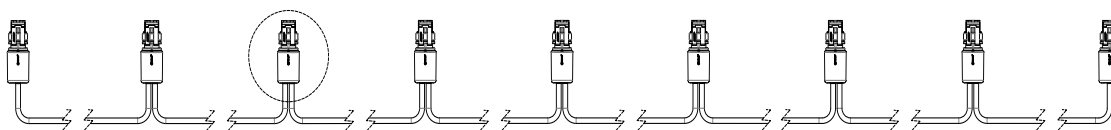
Cable type: FLRY Y / PVC

**31.500 mm**

distance between plugs: 1x7500 mm + 6x3500 mm + 1x3000 mm

**694 315 800**

92.0000.6623



## Extension cable



	Application/ Description	Article No.
	<b>Extension cable, 2 core</b> Super Seal socket > Super Seal plug Conductor cross-section: 2x1 mm <sup>2</sup> Cable type: FLRY / PVC	
	1.000 mm	<b>794 010 200</b> <i>92.0000.0005</i>
	1.500 mm	<b>794 015 200</b> <i>92.0000.0040</i>
	2.000 mm	<b>794 020 200</b> <i>92.0000.7799</i>
	3.000 mm	<b>794 030 200</b> <i>92.0000.0024</i>
	4.000 mm	<b>794 040 200</b> <i>92.0000.0024</i>
	5.000 mm	<b>794 050 200</b> <i>92.0000.0022</i>
	6.000 mm	<b>794 060 200</b> <i>92.0000.5407</i>
	15.000 mm	<b>794 150 200</b> <i>92.0000.6704</i>


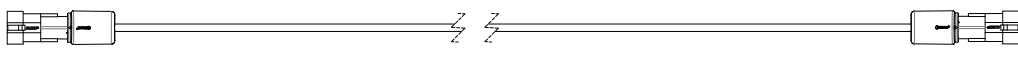



## Extension cable



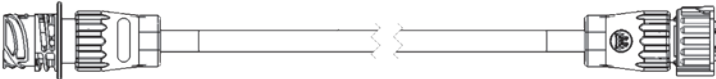
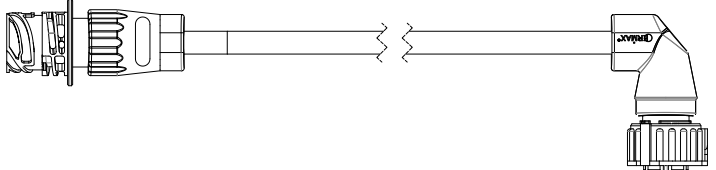


	Application/ Description	Article No.
	<b>Extension cable, 2 core</b> Super Seal plug > Super Seal plug Conductor cross-section: 2x1 mm <sup>2</sup> Cable type: FLRYY / PVC	
	200 mm	<b>794 002 230</b> 92.0000.5364
	500 mm	<b>794 005 230</b> 92.0000.5365
	1.000 mm	<b>794 010 230</b> 92.0000.1758
	1.500 mm	<b>794 015 230</b> 92.0000.1763
	2.000 mm	<b>794 020 230</b> 92.0000.5405
	2.500 mm	<b>794 025 230</b> 92.0000.5406
	3.000 mm	<b>794 030 230</b> 92.0000.1769
	5.000 mm	<b>794 050 230</b> 92.0000.1774
	6.000 mm	<b>794 060 230</b> 92.0000.1774
	7.500 mm	<b>794 075 230</b> 92.0000.5408
	10.000 mm	<b>794 100 230</b> 92.0000.5410
	11.500 mm	<b>794 115 230</b> 92.0000.5412
	15.000 mm	<b>794 150 230</b> 92.0000.5413



<b>Extension cable</b>		
	<b>Application/ Description</b>	<b>Article No.</b>
	<p><b>Extension cable, 2 core</b>                      Super Seal socket &gt; Super Seal socket                      Conductor cross-section: 2x1 mm<sup>2</sup>                      Cable type: FLRY Y / PVC</p> <p><b>1.500 mm</b></p>	<p><b>794 015 240</b>                      92.0000.5404</p>
		
	<p><b>Extension cable, 2 core</b>                      Super Seal plug &gt; Open end with blade receptacles                      6,3 x 0,8 mm                      Conductor cross-section: 2x1 mm<sup>2</sup>                      Cable type: FLRY Y / PVC</p> <p><b>500 mm</b></p> <p><b>1.000 mm</b></p> <p><b>1.500 mm</b></p> <p><b>2.000 mm</b></p> <p><b>4.000 mm</b></p> <p><b>6.000 mm</b></p> <p><b>8.000 mm</b></p> <p><b>10.500 mm</b></p>	<p><b>794 005 251</b>                      92.0000.1754</p> <p><b>794 010 251</b>                      92.0000.1759</p> <p><b>794 015 251</b>                      92.0000.1764</p> <p><b>794 020 251</b>                      92.0000.1767</p> <p><b>794 040 251</b>                      92.0000.1773</p> <p><b>794 060 251</b>                      92.0000.1775</p> <p><b>794 080 251</b>                      92.0000.1776</p> <p><b>794105 251</b>                      92.0000.5411</p>
		

Extension cable		
	Application/ Description	Article No.
	<p><b>Extension cable, 2 core</b></p> <p>Click-In adapter &gt; Super Seal plug                      Conductor cross-section: 2x1 mm<sup>2</sup>                      Cable type: FLRYY / PVC</p>	
	500 mm	<b>794 005 220</b> 92.0000.1753
	1.500 mm	<b>794 015 220</b> 92.0000.1762
	2.500 mm	<b>794 025 220</b> 92.0000.6514
	3.500 mm	<b>794 035 220</b> 92.0000.1770
	5.000 mm	<b>794 050 220</b> 92.0000.6515.
	<p><b>Extension cable, 2 core</b></p> <p>Super Seal socket &gt; Open end with blade receptacles 6,3 x 0,8 mm                      Conductor cross-section: 2x1 mm<sup>2</sup>                      Cable type: FLRYY / PVC</p>	
	500 mm	<b>794 005 261</b> 92.0000.1755
	1.000 mm	<b>794 010 261</b> 92.0000.5403
	1.500 mm	<b>794 015 261</b> 92.0000.1765
	<p><b>Extension cable, 2 core</b></p> <p>Click-In adapter &gt; Super Seal socket                      Conductor cross-section: 2x1 mm<sup>2</sup>                      Cable type: FLRYY / PVC</p>	
	500 mm	<b>794 005 270</b> 92.0000.1756
	1.500 mm	<b>794 015 270</b> 92.0000.1766
	3.500 mm	<b>794 035 270</b> 92.0000.1771

Extension cable	Application/ Description	Article No.
	<p><b>Extension cable, 6 core</b></p> <p>AMP 1.5 socket, straight &gt; AMP 1.5 plug, straight            Conductor cross-section: <math>5 \times 1 \text{ mm}^2 + 1 \times 2,5 \text{ mm}^2</math>            Cable type: FLRYY / PVC</p> <p><b>6 core 5.000 mm</b></p> <p><b>6 core 6.000 mm</b></p> <p><b>6 core 12.500 mm</b></p> 	<p></p> <p><b>794 050 600</b> 92.0000.6476</p> <p><b>794 060 600</b> 92.0000.7362</p> <p><b>794 125 600</b> 92.0000.5366</p>
	<p><b>Extension cable, 7 core</b></p> <p>Conductor cross-section: <math>6 \times 1 \text{ mm}^2 + 1 \times 2,5 \text{ mm}^2</math>            Cable type: FLRYY / PVC</p> <p><b>1.000 mm</b> AMP 1.5 socket, straight &gt; AMP 1.5 plug, straight</p> <p><b>1.000 mm</b> AMP 1.5 socket, &gt; AMP 1.5 plug angled</p> <p><b>2.000 mm</b> AMP 1.5 socket, straight &gt; AMP 1.5 plug, straight</p>  	<p><b>794 010 700</b> 92.0000.1760</p> <p><b>794 010 701</b> 92.0000.1761</p> <p><b>794 020 700</b> 92.0000.1768</p>

## Extension cable



## Application/ Description

## Article No.

**Extension cable, 7 core**Conductor cross-section:  $6 \times 1 \text{ mm}^2 + 1 \times 2,5 \text{ mm}^2$ 

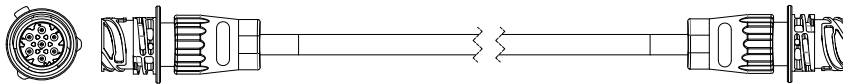
Cable type: FLRYY / PVC

**300 mm**

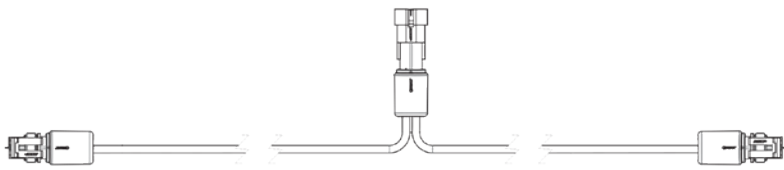
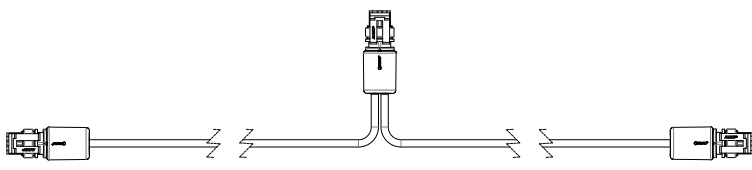
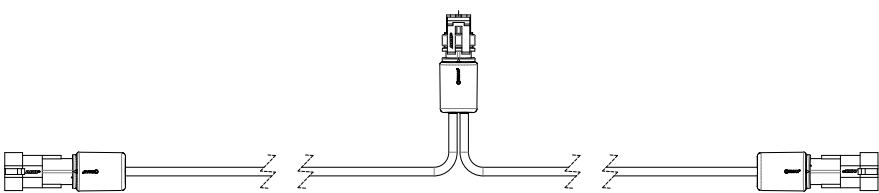
AMP 1,5 socket, straight &gt; AMP 1,5 socket, straight

**794 003 740**

92.0000.6303





Y-Adapter cable	Application/ Description	Article No.
	<p><b>Y-Adapter cable, 2 core</b></p> <p>Conductor cross-section: 2x1 mm<sup>2</sup> Cable type: FLRY Y / PVC</p> <p><b>2 x 500 mm</b> 1 x Super Seal socket + 2 x Super Seal plug</p> <p><b>2 x 1.000 mm</b> 1 x Super Seal socket + 2 x Super Seal plug</p> 	<p><b>894 005 200</b> 92.0000.0027</p> <p><b>894 010 200</b> 92.0000.1779</p>
	<p><b>Y-Adapter cable, 2 core</b></p> <p>Conductor cross-section: 2x1 mm<sup>2</sup> Cable type: FLRY Y / PVC / PVC</p> <p><b>2 x 500 mm</b> 3 x Super Seal plug</p> <p><b>2 x 2000 mm</b> 3 x Super Seal plug</p> <p><b>2 x 3000 mm</b> 3 x Super Seal plug</p> <p><b>2 x 4000 mm</b> 3 x Super Seal plug</p> <p><b>2 x 6000 mm</b> 3 x Super Seal plug</p> 	<p><b>894 005 230</b> 92.0000.1777</p> <p><b>894 020 230</b> 92.0000.6988</p> <p><b>894 030 230</b> 92.0000.6989</p> <p><b>894 040 230</b> 92.0000.5414</p> <p><b>894 060 230</b> 92.0000.6348</p>
	<p><b>Y-Adapter cable, 2 core</b></p> <p>Conductor cross-section: 2x1 mm<sup>2</sup> Cable type: FLRY Y / PVC</p> <p><b>2 x 500 mm Super Seal socket</b> 1 x Super Seal plug + 2 x Super Seal socket</p> 	<p><b>894 005 240</b> 92.0000.5367</p>

## Y-Adapter cable



## Application/ Description

## Article No.

**Y-Adapter cable, 6 core**Conductor cross-section:  $5 \times 1 \text{ mm}^2 + 1 \times 2,5 \text{ mm}^2$ 

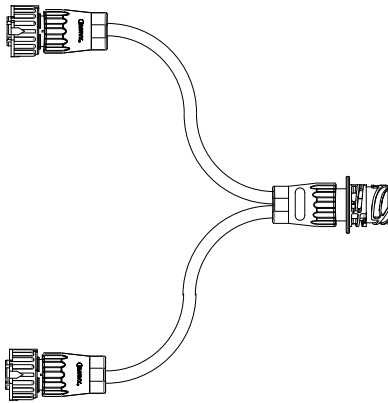
Cable type: FLRYY / PVC

**2 x 500 mm**

1 x AMP 1.5 socket, straight + 2 x AMP 1.5 plug, straight

**894 005 640**

92.0000.1778

**Y-Adapter cable**

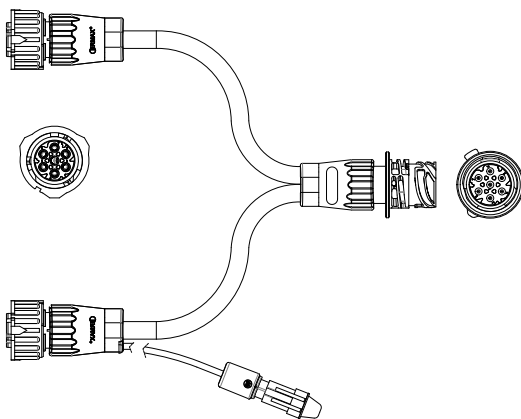
6 core

Conductor cross-section:  $5 \times 1 \text{ mm}^2 + 1 \times 2,5 \text{ mm}^2 / 2 \times 1 \text{ mm}^2$ 

Cable type: FLRYY / PVC

**2 x 300 mm**1 x AMP 1,5 Plug, straight + 2 x AMP 1,5 socket, straight  
with 1x2 core outlet (200 mm) with Super Seal socket for position- or  
side marker light**894 003 641**

92.0000.5727

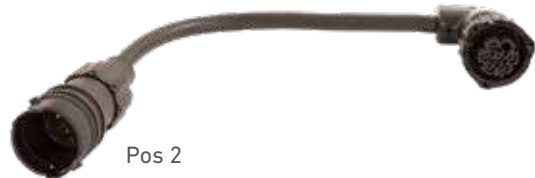


**Adapter cable**

EMC



Pos 1



Pos 2



Pos 3



Pos 4

Adapter cable for Ermax tail lights  
Cable type: FLRY / PVC

**Functions**

Connection	Cable length	Conductor cross-section	Pos	Article No.
Aspöck ASS2 7 poled socket > 7 poled AMP 1.5 bayonet plug, angled	200 mm	5x1 mm <sup>2</sup> + 1x2,5 mm <sup>2</sup>	Left	<b>994 002 062</b> 92.0000.6289
Aspöck ASS2 7 poled socket > 7 poled AMP 1.5 bayonet plug, angled	200 mm	5x1 mm <sup>2</sup> + 1x2,5 mm <sup>2</sup>	Right	<b>994 002 063</b> 92.0000.6290
Hella 7 poled plug > 7 poled AMP 1.5 bayonet plug	300 mm	6x1 mm <sup>2</sup>	Left / Right	<b>994 003 064</b> 92.0000.7678
Hella 15 poled plug > Ermax 15 poled bayonet plug	200 mm	12x1 mm <sup>2</sup> + 3x2,5 mm <sup>2</sup>	---	<b>994 002 151</b> 92.0000.7677
Aspöck ASS3 17 poled plug > Ermax 15 poled bayonet plug	200 mm	12x1 mm <sup>2</sup> + 3x2,5 mm <sup>2</sup>	---	<b>994 002 150</b> 92.0000.6721

## Coil cable



## Application/ Description

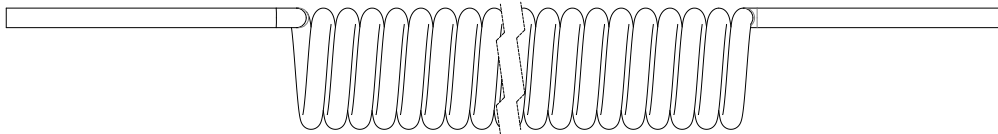
## Article No.

**Coil cable**

Open end > Open end  
 Outer diameter: Ø 28 mm  
 Number of coils: 64  
 Cable type: PUR  
 Conductor cross-section: 3x1 mm<sup>2</sup>

**3.000 mm**  
 3 core

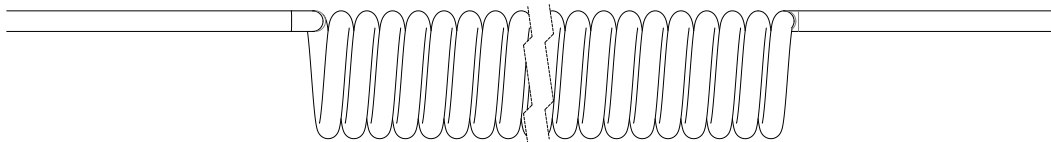
**994 030 390**  
 92.0000.5369

**Coil cable**

Open end > Open end  
 Outer diameter: Ø 35 mm  
 Number of coils: 52  
 Cable type: PUR  
 Conductor cross-section: 6x1 mm<sup>2</sup>+1x2,5 mm<sup>2</sup>

**3.500 mm**  
 7 core

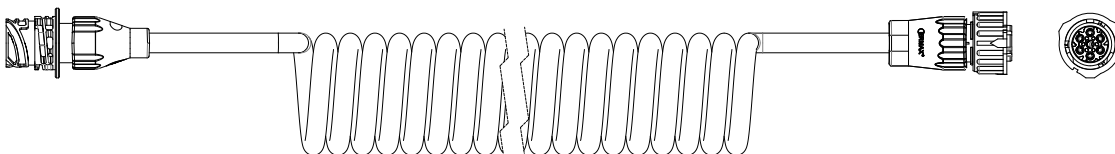
**994 035 790**  
 92.0000.1785

**Coil cable**

AMP 1.5 plug > socket  
 Outer diameter: Ø 35 mm  
 Number of coils: 52  
 Cable type: PUR  
 Conductor cross-section: 6x1 mm<sup>2</sup>+1x2,5 mm<sup>2</sup>

**3.500 mm**  
 7 core

**994 035 700**  
 92.0000.1784



## Coil cable



## Application/ Description

## Article No.

**Coil cable**

Open end &gt; Open end

Conductor cross-section:  $7 \times 1 \text{ mm}^2 + 2 \times 2,5 \text{ mm}^2$ 

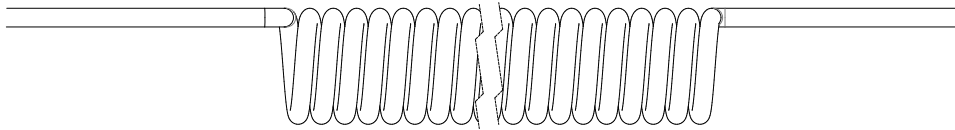
Number of coils: 26

Inside diameter:  $\varnothing 50 \text{ mm}$ **3.500 mm**

9 core

**994 035 990**

92.0000.1787

**Coil cable**

Ermax bayonet plug &gt; socket

Conductor cross-section:  $7 \times 1 \text{ mm}^2 + 2 \times 2,5 \text{ mm}^2$ 

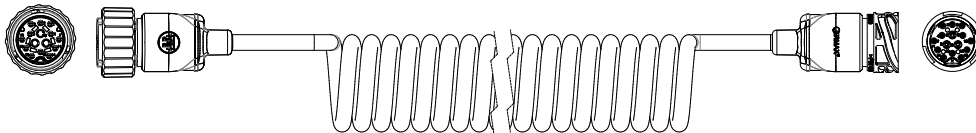
Number of coils: 25

Inside diameter:  $\varnothing 60 \text{ mm}$ **3.500 mm**

9 core

**994 035 900**

92.0000.1786

**Coil cable**

Open end &gt; Open end

Conductor cross-section:  $12 \times 1 \text{ mm}^2 + 3 \times 2,5 \text{ mm}^2$ 

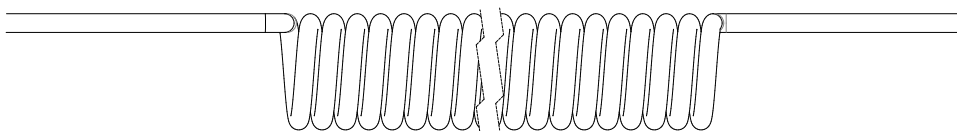
Number of coils: 23

Inside diameter:  $\varnothing 65 \text{ mm}$ **4.000 mm**

15 core

**994 040 150**

92.0000.1789



Coil cable	Application/ Description	Article No.
	<p><b>Coil cable</b></p> <p>Ermax bayonet plug &gt; socket</p> <p>Conductor cross-section: <math>12 \times 1 \text{ mm}^2 + 3 \times 2,5 \text{ mm}^2</math></p> <p>Number of coils: 23</p> <p>Inside diameter: <math>\varnothing 65 \text{ mm}</math></p> <p><b>4.000 mm</b></p> <p>15 core</p> 	<p><b>994 040 151</b></p> <p>92.0000.1790</p>
	<p><b>Coil cable</b></p> <p>15 poled plug ISO 12098</p> <p>Conductor cross-section: <math>12 \times 1,5 \text{ mm}^2 + 3 \times 2,5 \text{ mm}^2</math></p> <p>Inside diameter: <math>\varnothing 38 \text{ mm}</math></p> <p>Outer diameter: <math>\varnothing 66 \text{ mm}</math></p> <p><b>4.000 mm</b></p> <p>15 core</p> 	<p><b>090 165 813</b></p> <p>92.0000.7312</p>
	<p><b>Coil cable ABS</b></p> <p>with socket ISO 7638-1</p> <p>Conductor cross-section: <math>2 \times 4 \text{ mm}^2 + 3 \times 1,5 \text{ mm}^2</math></p> <p>5-poled, ABS</p> <p>Inside diameter: <math>\varnothing 22 \text{ mm}</math></p> <p>Outer diameter: <math>\varnothing 48 \text{ mm}</math></p> <p><b>4000 mm</b></p> <p>5 core</p> 	<p><b>090 195 440</b></p> <p>92.0000.7564</p>

Coil cable		
	Application/ Description	Article No.
	<p><b>Coil cable</b>            7 poled EBS with socket, ISO 7638-1            Conductor cross-section: 2x1,5+2x4,0+3x1,5mm<sup>2</sup>            Inside diameter: ø 22 mm            Outer diameter: Ø 48 mm</p> <p><b>3500 mm</b>            7 core</p> 	<p><b>090 195 835</b>            92.0000.6953</p>
	<p><b>Coil cable</b>            7 poled EBS with socket, ISO 7638-1            Inside diameter: ø 22 mm            Outer diameter: Ø 48 mm            Conductor cross-section: 2x1,5+2x4,0+3x1,5mm<sup>2</sup></p> <p><b>4000 mm</b>            7 core</p> 	<p><b>090 195 840</b>            92.0000.7565</p>







## WIDE LOAD MARKER SIGNS

## WIDE LOAD MARKER SIGN - Complete Kit-Set

### Standardised Security

Ermac have 2 Series of wide load marker sign kits making it possible to deliver standardised solutions covering almost every need. One Proff series and one ADR series.

The wide load marker signs – built of standard parts from the Ermac programme – are easy to mount and connect, and secure a simple operation and operational reliability in the daily work.

Both series are built up with a electro galvanized holder and a square pipe for fastening at the vehicle. The wide load marker sign has 3 flexible outer end marker lights mounted with red, white and orange light. The lights are made of rubber and the LED light module is made of impact resistant polycarbonate which resists a tough environment and handling in the daily work.

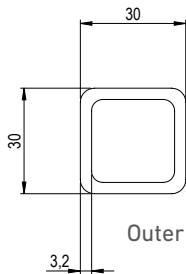
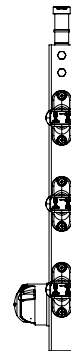
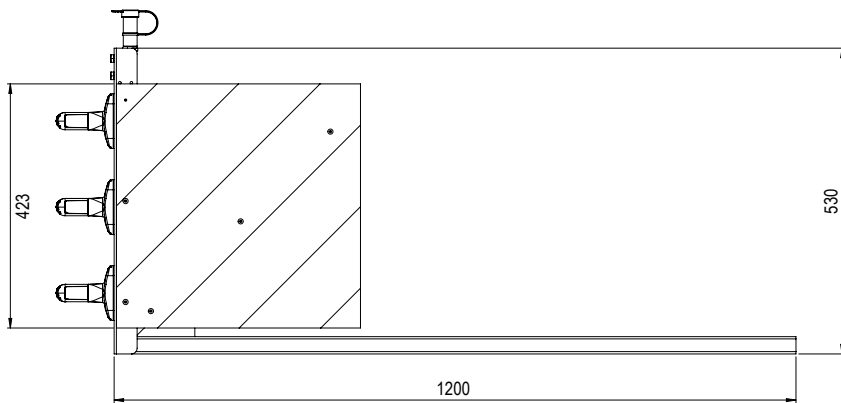
The Proff series has a pipe piece (ISO 72591) for mounting and connecting of the warning light. The connection to the wide load marker signs are made by means of a 7-poled ISO 1724 socket. Thus, a standard coil cable ISO 1724 (e.g. Ermac article number 090 180 165) can be used for connection at the vehicle. It is a commercially available cable and not a special cable, which means that defective or approaching cables can be replaced quickly = shorter service life in case of defects.

The ADR series is connected by means of a Super Seal plug, and the series is thus ADR approved in its basis configuration. Only the mounting of the warning light – due to the open plugs in the appurtenant connecting pipe – cannot be ADR approved.

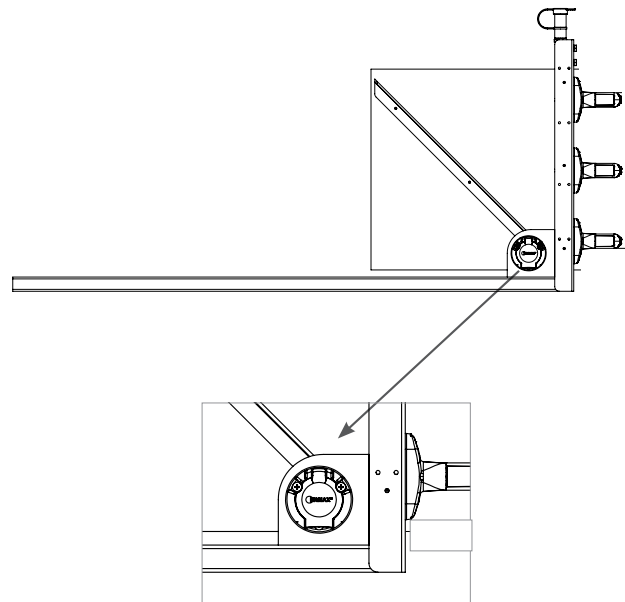
For this series a coil cable (e.g. article number 994 030 300) can be used, which is connected to a corresponding Super Seal connection at the vehicle, which opens the possibility for mounting of further lights.



**Wide load marker signs - Proff Series**



Outer diameter of the holder



**Wide load marker sign mounted with**

- Warning sign board 423 x 423 mm
- 3 pcs outer end marker lights
- Mounting bracket for warning beacons
- Plug connection through ISO1724 socket

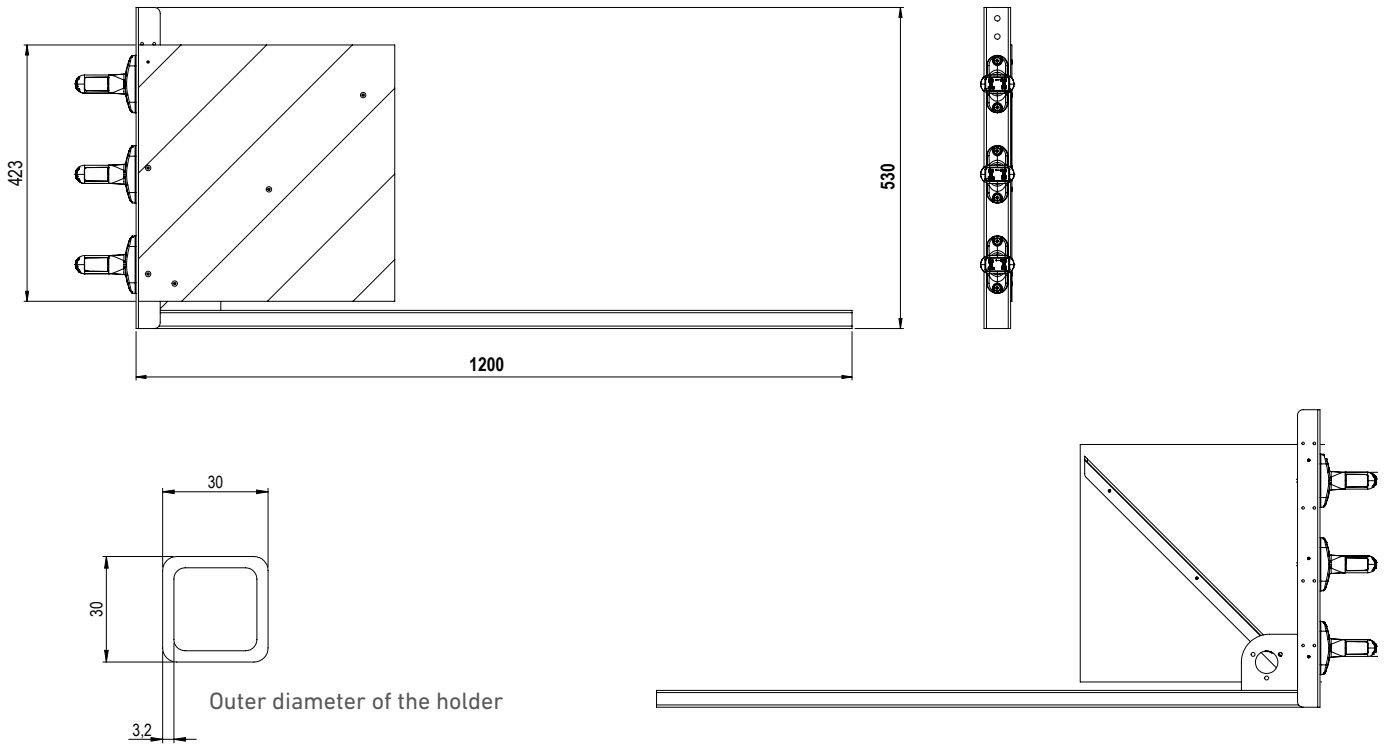
**Functions**

Placement	Dimension (L x B)	Material	Connection	Article No.
Rear - left	1.200 x 530 mm	Electro galvanized	Socket ISO 1724	<b>098 269 800</b> 92.0000.7608
Rear - right	1.200 x 530 mm	Electro galvanized	Socket ISO 1724	<b>098 269 805</b> 92.0000.7609
Front - left	1.200 x 530 mm	Electro galvanized	Socket ISO 1724	<b>098 269 810</b> 92.0000.7610
Front - right	1.200 x 530 mm	Electro galvanized	Socket ISO 1724	<b>098 269 815</b> 92.0000.7611

**Complete kit** of 4 Wide load marker signs consisting of 098 269 800 + 805 + 810 + 815

**098 269 820**  
92.0000.7612

**Wide load marker signs - ADR Series**



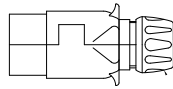
**Wide load marker sign mounted with**

- Warning sign board 423 x 423 mm
- 3 pcs outer end marker lights
- Connection with Super Seal socket

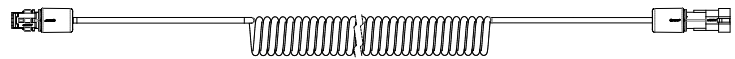
Functions				
Placement	Dimension (L x B)	Material	Connection	Article No.
Rear - left	1.200 x 530 mm	Electro galvanized	Super Seal socket	<b>098 269 830</b> 92.0000.7613
Rear - right	1.200 x 530 mm	Electro galvanized	Super Seal socket	<b>098 269 835</b> 92.0000.7614
Front - left	1.200 x 530 mm	Electro galvanized	Super Seal socket	<b>098 269 840</b> 92.0000.7615
Front - right	1.200 x 530 mm	Electro galvanized	Super Seal socket	<b>098 269 845</b> 92.0000.7616

<b>Complete kit</b> of 4 Wide load marker signs consisting of 098 269 830 + 835 + 840 + 845	<b>098 269 850</b> 92.0000.7617
---	------------------------------------

**Wide load marker signs - Spare parts (S) & Accessories (A)**



Pos. 2



Pos. 3



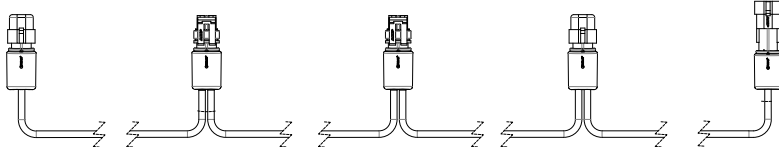
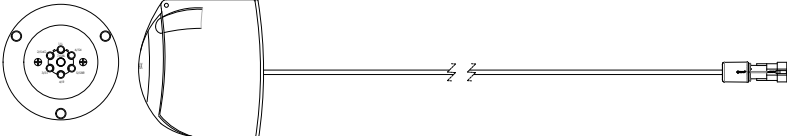
Proff Series	S / A	Pos.	
Coil cable 2x7 poled 1.500 mm - with ISO 1724 plug > ISO 1724 plug	A	1	<b>090 180 165</b> 92.0000.7731
Coil cable 3 poled 1.500 mm - with ISO 1724 plug > Super Seal plug	A	2	<b>994 015 335</b> 92.0000.7528
Coil cable 3 poled 3.000 mm - with ISO 1724 plug > Super Seal plug	A	2	<b>994 030 335</b> 92.0000.7469
On/off switch with 2x200 mm connection cable with Super Seal socket > plug	A	4	<b>992 942 150</b> 92.0000.5368
LED outer end marker - with 300 mm connection cable with Super Seal plug	S	5	<b>098 241 218</b> 92.0000.7490
Warning light LED 12-24V with for mounting bushes (see section with warning lights)	S	6	<b>098 287 942</b> 92.0000.6453
Mounting bracket, angled (no ADR approval)	S	7	<b>098 295 562</b> 92.0000.1674
Warning sign board - DIN 30710 one-sided aluminum, dimension: 423 x 423 (Left / Right)	S	8	<b>098 269 123</b> 92.0000.7952

Spare parts for ISO 1724 plug - see the section with plugs & sockets

ADR Series	S / A	Pos.	
Coil cable 3.000 mm - with Super Seal plug > Super Seal socket	A	3	<b>994 030 300</b> 92.0000.1782
On / off switch with 2x200 mm connection cable with Super Seal socket > plug	A	4	<b>992 942 150</b> 92.0000.5368
LED outer end marker - with 300 mm connection cable with Super Seal plug	S	5	<b>098 241 218</b> 92.0000.7490
Warning light LED 12-24V with for mounting bushes (see section with warning lights)	A	6	<b>098 287 942</b> 92.0000.6453
Mounting bracket, angled (no ADR approval)	A	7	<b>098 295 562</b> 92.0000.1674
Warning sign board - DIN 30710 one-sided aluminum, dimension: 423 x 423 (Left / Right)	S	8	<b>098 269 123</b> 92.0000.7952

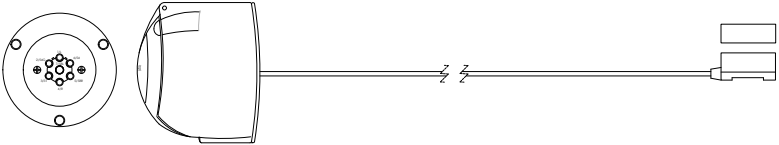

**Wide load marker signs - Accessories**



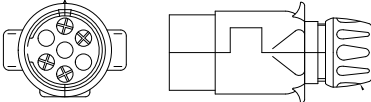
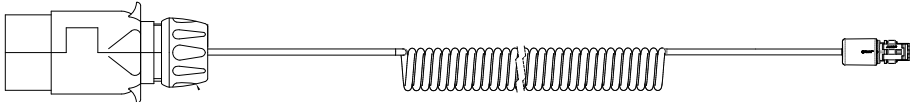


	Application/ Description	Article No.
	<p><b>Side cable, chain</b></p> <p>1 x inlet with Super Seal socket and 4 x outlet with Super Seal plug                      Conductor cross-section: 2x1 mm<sup>2</sup>                      Cable type: FLRYY / PVC.</p> <p><b>800 mm</b>                      distance between plugs: 200 mm</p> 	<p><b>694 008 401</b>                      92.0000.5397</p>
	<p><b>Connection cable</b></p> <p>Socket 7 core ISO 1724 &gt; Super Seal socket, 2 core                      Conductor cross-section: 2x1mm<sup>2</sup>                      Cable type: FLRYY / PVC                      Outlets on 7 core plug:                      Ground (pin L/1), R. Pos.(pin 58R/5), L. Pos. (pin 58L/7)</p> <p><b>1.500 mm</b>                      2 core</p>	<p><b>994 015 240</b>                      92.0000.1780</p>
	<p><b>Connection cable</b></p> <p>Socket 7 core ISO 1724 &gt; Super Seal socket, 2 core                      Conductor cross-section: 2x1mm<sup>2</sup>                      Cable type: FLRYY / PVC                      Outlets on 7 core socket:                      Ground (pin 31/3), RH. Pos. (pin 58R/5), LH. Pos (pin 58L/7).</p> <p><b>1.500 mm</b>                      2 core</p> 	<p><b>994 015 245</b>                      92.0000.7984</p>

**Wide load marker signs - Accessories**





	Application/ Description	Article No.
	<p><b>Connection cable</b></p> <p>Socket 7 core ISO 1724 &gt; Click-In adapter, 2 core                      Conductor cross-section: 2x1 mm<sup>2</sup>                      Cable type: FLRYY / PVC                      Outlets on 7 core plug:                      Ground (Pin 31/3), R. Pos (Pin 58R/5), L. Pos. (Pin 58L/7)</p> <p><b>1.500 mm</b> 2 core</p>	<p><b>994 015 275</b> 92.0000.7903</p>
	<p><b>Connection cable</b></p> <p>Socket 7 core ISO 1724 &gt; Click-In adapter, 2 core                      Conductor cross-section: 2x1 mm<sup>2</sup>                      Cable type: FLRYY / PVC                      Outlets on 7 core plug:                      Ground (pin L/1), R. Pos.(pin 58R/5), L. Pos. (pin 58L/7)</p> <p><b>1.500 mm</b> 2 core</p> 	<p><b>994 015 270</b> 92.0000.1781</p>
	<p><b>Coil cable</b></p> <p>Super Seal plug, 2 core &gt; Super Seal socket, 2 core                      Conductor cross-section: 3x1 mm<sup>2</sup>                      Pin 2(+) connected to 2 coil cables                      Number of coils: 64</p> <p><b>1.500 mm</b> 2 core</p> <p><b>3.000 mm</b> 2 core</p> 	<p><b>994 015 300</b> 92.0000.7627</p> <p><b>994 030 300</b> 92.0000.1782</p>

**Wide load marker signs - Accessories**

	Application/ Description	Article No.
	<p><b>Coil cable 3 core</b></p> <p>Plug 7 core ISO 1724 &gt; Super Seal plug, 2 core                      Conductor cross-section: 3x1 mm<sup>2</sup>                      Number of coils: 64</p> <p><b>3.000 mm</b></p> <p>Outlets on 7 core plug:                      Ground (pin L/1), R. pos. (pin 58R/5), L. pos. (pin 58L/7)</p> <p><b>1.500 mm</b></p> <p>Outlets on 7 core plug:                      Ground (pin 31/3), R. Pos. (pin 58R/5), L. Pos. (pin 58L/7)</p> <p><b>3.000 mm</b></p> <p>Outlets on 7 core plug:                      Ground (pin 31/3), R. Pos. (pin 58R/5), L. Pos. (pin 58L/7).</p>	<p><b>994 030 330</b>                      92.0000.1783</p> <p><b>994 015 335</b>                      92.0000.7528</p> <p><b>994 030 335</b>                      92.0000.7469</p>
		
	<p><b>Coil cable 3 core</b></p> <p>Plug 7 core ISO 1185 &gt; Super Seal plug, 2 core                      Conductor cross-section: 3x1 mm<sup>2</sup>                      Number of coils: 64, Ø17 mm</p> <p><b>3.000 mm</b></p> <p>Outlets on 7 core plug ISO 1185:                      Ground (pin 1/31), RH pos.(pin 6/58R), LH. pos. (pin 2/58L)</p>	<p><b>994 030 338</b></p>
		



## Wide load marker signs - Accessories

	Application/ Description	Article No.
	<p><b>Coil cable 2x7 poled ISO 1724 - 12V</b> with ISO1724 Plug &gt; ISO1724 Plug Conductor cross-section: 6x1,0 mm<sup>2</sup> + 1x1,5 mm<sup>2</sup></p> <p><b>1.500 mm</b> 7 core</p>	<p><b>090 180 165</b> 92.0000.7627</p>
	<p><b>On / off switch</b></p> <p>2 x 200 mm Connection cable with Super Seal socket &gt; plug</p>	<p><b>992 942 150</b> 92.0000.5368</p>





# ACCESSORIES



## Cable rolls








Pos. 1



Pos. 2

## Functions

Cable material	Core	Spool	Cable type	Approval	Conductor cross-section	Pos.	Article No.
Plastic	2 core	50 M	FLRYY / PVC	ADR	2 x 0,5 mm <sup>2</sup>	1	<b>099 897 220</b> 92.0000.7606
Plastic	2 core	50 M	FLRYY / PVC	ADR	2 x 1,0 mm <sup>2</sup>	1	<b>099 897 225</b> 92.0000.6663
Plastic Side cable, flat for Click-in	2 core	100 m	FLYYF / PVC	ADR	2 x 1,5 mm <sup>2</sup>	1	<b>099 897 610</b> 92.0000.1694
Plastic	3 core	50 M	FLRYY / PVC	ADR	3 x 1,5 mm <sup>2</sup>	2	<b>099 897 032</b> 92.0000.6655
Plastic	4 core	50 m	FLRYY / PVC	ADR	4 x 1,0 mm <sup>2</sup>	2	<b>099 897 045</b> 92.0000.6656
Plastic	4 core	50 M	FLRYY / PVC	ADR	4 x 1,5 mm <sup>2</sup>	2	<b>099 897 049</b> 92.0000.6657
Plastic	5 core	50 m	FLRYY / PVC	ADR	5 x 1,0 mm <sup>2</sup>	2	<b>099 897 055</b> 92.0000.6658
Plastic	7 core	100 m	FLRYY / PVC	ADR	7 x 1,0 mm <sup>2</sup>	2	<b>099 897 076</b> 92.0000.6659
Plastic	7 core	50 M	FLRYY / PVC	ADR	7 x 1,5 mm <sup>2</sup>	2	<b>099 897 079</b> 92.0000.6660
Plastic	7 core	50 m	FLRYY / PVC	ADR	6 x 1,0 + 1 x 2,5 mm <sup>2</sup>	2	<b>099 897 081</b> 92.0000.6661
Plastic	13 core	25 M	FLRYY / PVC	ADR	10 x 1,5 + 3 x 2,5 mm <sup>2</sup>	2	<b>099 897 134</b> 92.0000.6662
Plastic	15 core	50 m	FLRYY / PVC	ADR	12 x 1,0 + 3 x 2,5 mm <sup>2</sup>	2	<b>099 897 298</b> 92.0000.1693
Plastic	15 core	50 m	FLRYY / PVC	ADR	12 x 1,5 + 3 x 2,5 mm <sup>2</sup>	2	<b>099 897 295</b> 92.0000.6664

Accessories	Application/ Description	Article No.
	<p><b>Plate grip for Click-In System</b> For cable with Click-in system Flexible and uncomplicated assembly</p>	<p><b>099 859 970</b> 92.0000.1011</p>
	<p><b>Click-In cable 1,5 mm<sup>2</sup> with Open end</b></p> <p>0,5 Meter</p> <p>1,5 Meter</p> <p>3,5 Meter</p>	<p><b>794 005 280</b> 92.0000.1757</p> <p><b>794 015 280</b> 92.0000.1051</p> <p><b>794 035 280</b> 92.0000.1772</p>
	<p><b>Cap for Click-In cable 1,5 mm<sup>2</sup></b> 10 pcs bag</p>	<p><b>098 291 950</b> 92.0000.5793</p>
	<p><b>Adapter - Dual Click-in</b> For connecting two flat cables Fit for 1,5 mm<sup>2</sup> flat cable Must be mounted With 2 pcs 098 291 950 clamps</p> <p>Dimension: 68x15 x 22,1 x 15,4 mm</p>	<p><b>099 110 032</b> 92.0000.7116</p>
	<p><b>End plug for flat cable for Click-in</b> Fit for 1,5 mm<sup>2</sup> flat cable</p> <p>Dimension: Ø15 x 35 mm</p>	<p><b>099 110 031</b> 92.0000.5490</p>





# JUNCTION BOX

## Junction Boxes

### Standardized solutions for optimal configuration

The 3 standard series are well-suited for the following applications:

#### Universal Junction Box

The universal junction box is without pre-configured connections and cable exits and thus universal for various applications.

The cable entries are prepared for different cable dimensions and can – if needed – be replaced with other cabling sizes, Super Seal sockets or 7 poled AMP sockets.



#### Pass-through Junction Box

The pass-through junction box has 15 poled plug and socket and is placed between the main cable and the rear cable. All functions are available in the junction box and can by means of the cable entries be safely connected.

According to need the cable entries can be replaced with Super Seal sockets or 7poled sockets.

#### Rear connection Junction Box

This junction box is connected at the end of the main cable and has connections or cable for the tail lights.

Further there is connection to all functions through pre-configured sockets or cable entries.

### Your advantages with the Ermax solutions:

- Unique flexibility due to fast and easy replacement of cable entries and sockets (Super Seal and 7 poled AMP sockets)
- Time-saving and easy built-in of the junction box due to pre-cabling
- Various free cable entries for universal use
- 2 sizes are available. The flat version can easily be re-built into double size
- 15-poled sockets can be integrated

### Spare part overview at page 185



UNIVERSAL JUNCTION BOX



PASS-THROUGH JUNCTION BOX



REAR CONNECTION BOX



**Junction box Standard program - overview**



Ø13-11 mm



Ø10-7 mm



Ø6-4 mm



Ø5,5 mm x 2

Functions						
Box type	Cover	Inlet	Outlet	Connection - Cable gland	Integrated SIMAC control	Article No.
<b>Universal Box</b>	Low	PG Ø13-11 mm	--	4 x Ø5,5 mm x 2 2 x Ø6-4 mm 1 x Ø10-7 mm		<b>099 866 700</b> 92.0000.5826
	High	PG Ø13-11 mm	--	1 x Ø5,5 mm x 2 8 x Ø6-4 mm 4 x Ø10-7 mm		<b>099 866 750</b> 92.0000.5833
<b>Pass-through Box</b>	Low	15 poled Ermax bayonet socket with 500 mm cable	15 poled Ermax bayonet plug with 500 mm cable	2 x Super Seal (Position R, Position L) 2 x Ø6-4 mm 2 x Ø5,5 mm x 2		<b>099 866 740</b> 92.0000.5830
	Low	15 poled Ermax bayonet socket with 500 mm cable	15 poled Ermax bayonet plug with 500 mm cable	4 x Ø5,5 mm x 2 2 x Ø6-4 mm		<b>099 866 745</b> 92.0000.7632
<b>Rear connection box</b>	Low	15 poled Ermax bayonet socket	--	2 x 7 poled AMP socket 2 x Super Seal (Position R, Position L) 2 x Super Seal (reverse light, rear fog light) 1 x Ø5,5 mm x 2		<b>099 866 710</b> 92.0000.5827
	High	15 poled Ermax bayonet socket	--	2 x 7 poled AMP socket 2 x Super Seal (Position R, Position L) 4 x Super Seal (Stop light, reverse light, rear fog light, AUX 3) 1 x Ø5,5 mm x 2 2 x Ø10-7 mm 2 x Ø6-4 mm		<b>099 866 760</b> 92.0000.5834
	Low	15 poled cable	2x1 7 poled AMP	2 x Ø5,5 mm x 2 2 x Ø6-4 mm 1 x Ø7-10 mm		<b>099 866 713</b> 92.0000.7604
	High	15 poled cable	--	8 x Ø5,5 mm x 2 3 x Ø6-4 mm 2 x Ø10-7 mm		<b>099 866 751</b> 92.0000.7675
	High	15 poled cable	2x3 7 poled AMP	2 x Super Seal (Position R, Position L) 4 x Super Seal (Stop light, reverse light, rear fog light, AUX 3) 5 x Ø6-4 mm		<b>099 866 781</b> 92.0000.5836
	High	15 poled cable	--	2 x Super Seal (SIMAC R, SIMAC L) 7 x Ø5,5 mm x 2 2 x Ø6-4 mm 2 x Ø10-7 mm	SIMAC	<b>099 869 751</b> 92.0000.7605
	High	15 poled cable	--	2 x Super Seal (SIMAC R, SIMAC L) 2 x Super Seal (Position L, Position R) 3 x Super Seal (Stop light, reverse light, rear fog light) 4 x Ø5,5 mm x 2 2 x Ø6-4 mm	SIMAC	<b>099 869 756</b> 92.0000.7141

**Universal Junction box**



**Application/ Description**

**Article No.**

**Junction box**  
**Housing of black plastic**  
**IP Rating: IP 67**

**Low cover - Connections:**

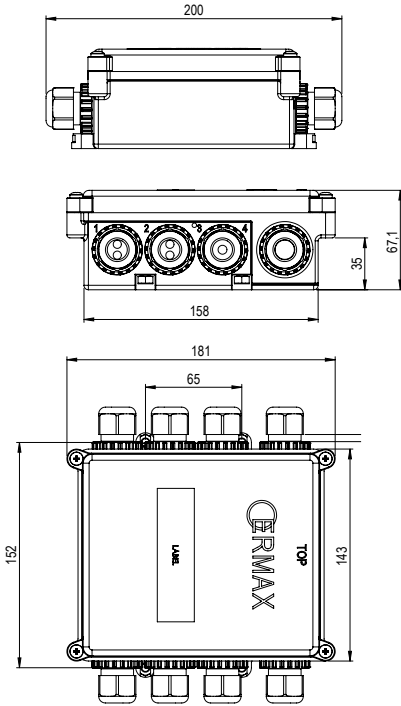
**Inlet:** Cable gland Ø13-11 mm  
**Cable glands:** 4 x Ø5,5 mm x 2  
 2 x Ø6-4 mm  
 1 x Ø10-7 mm

**099 866 700**  
 92.0000.5826

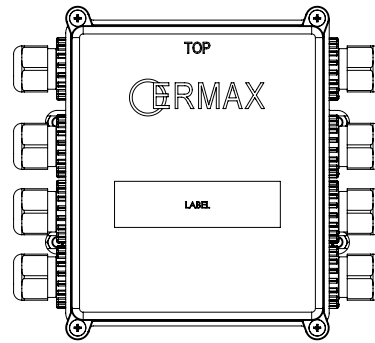
**High cover - Connections:**

**Inlet:** Cable gland Ø13-11 mm  
**Cable glands:** 1 x Ø5,5 mm x 2  
 8 x Ø6-4 mm  
 4 x Ø10-7 mm

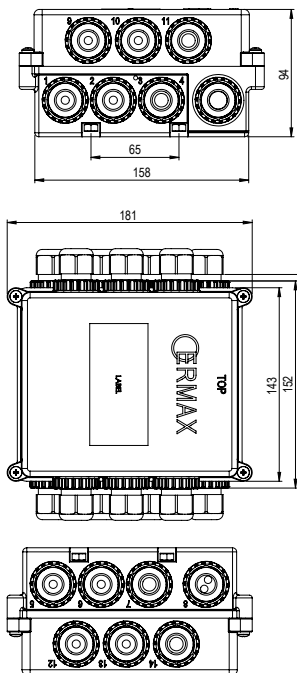
**099 866 750**  
 92.0000.5833



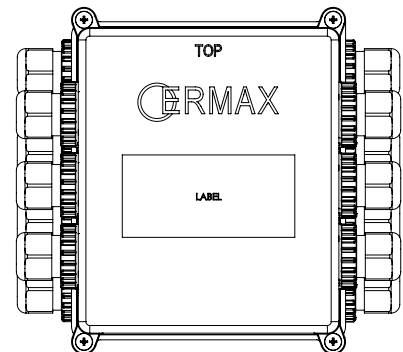
Lower cover



Lower cover



Higher cover



Higher cover

**Pass-through Junction box**



**Application/ Description**

**Article No.**

**Junction box with cable**  
**Housing of black plastic**  
**IP Rating: IP 67**

**099 866 740**  
 92.0000.5830

**Lower cover**

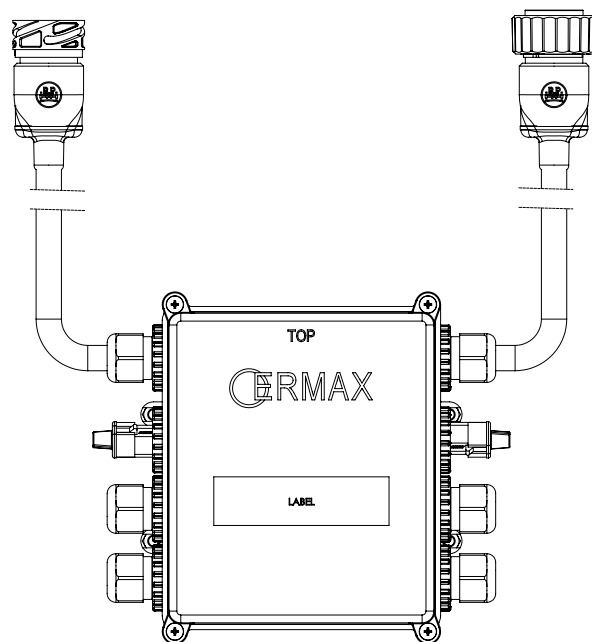
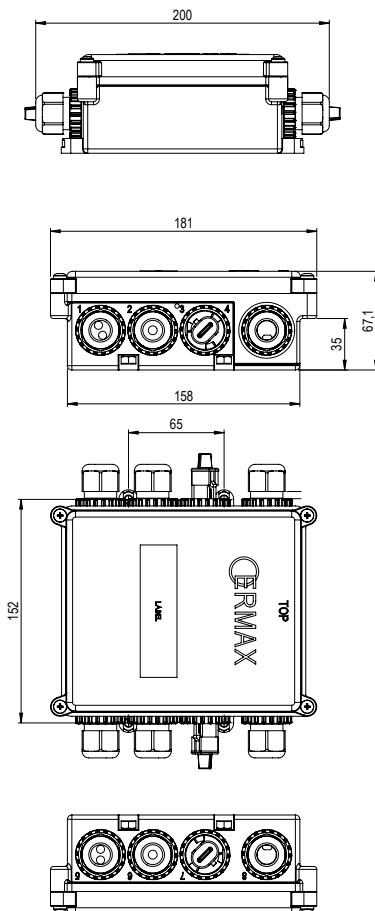
**Connection:**

**Inlet:** 1 x 15 poled Ermax bayonet socket with 500 mm cable

**Outlet:** 1 x 15 poled Ermax bayonet plug with 500 mm cable for right and left tail light

2x2 poled Super Seal socket with R+L position

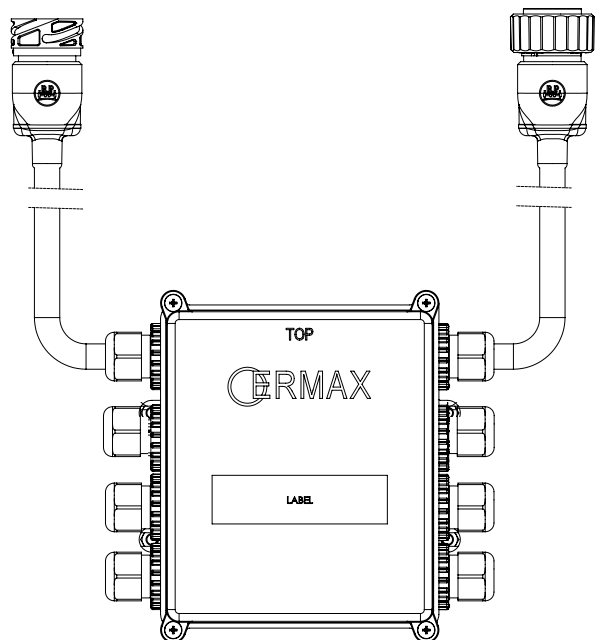
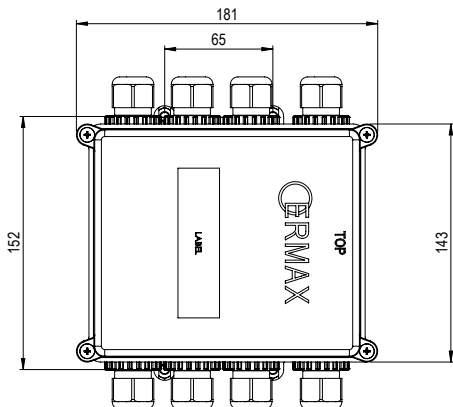
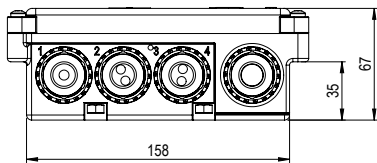
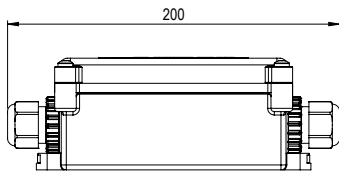
Cable gland: 2 x Ø6-4 mm  
 2 x Ø5,5 mm x 2



**Pass-through Junction box**



	Application/ Description	Article No.
	<p><b>Junction box with cable (Dolly)</b>                      Housing of black plastic                      IP Rating: IP 67</p> <p><b>Lower cover</b></p> <p><b>Connection:</b></p> <p><b>Inlet:</b> 1 x 15 poled Ermax bayonet socket with 500 mm cable</p> <p><b>Outlet:</b> 1 x 15 poled Ermax bayonet plug with 500 mm cable</p> <p><b>Cable gland:</b> 4 x Ø5,5 mm x 2                      2 x Ø6-4 mm</p>	<p><b>099 866 745</b>                      92.0000.7632</p>



Rear connection Junction box



Application/ Description

Article No.

**Junction box**  
**Housing of black plastic**  
**IP Rating: IP 67**

**Low cover - connection:**

- Inlet:**
- 1 x 15 poled Ermax bayonet socket
  - 2x7 core AMP 1.5 socket for R+L tail light
  - 2x2 core Super Seal socket with R+L position
  - 1x2 core Super Seal socket with reverse light
  - 1x2 core Super Seal socket with rear fog light

Cable gland: 1 x Ø5,5 mm x 2

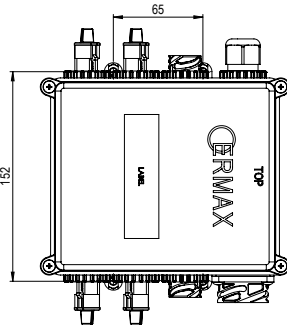
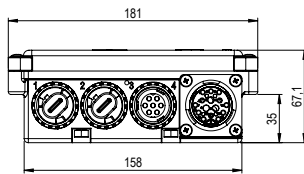
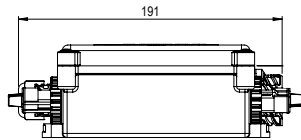
**099 866 710**  
 92.0000.5827

**High cover - connection:**

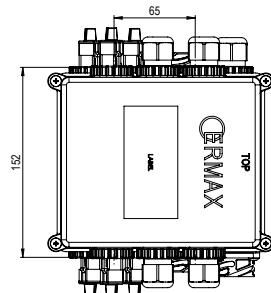
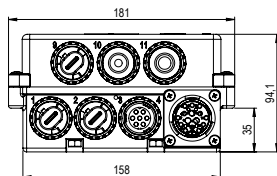
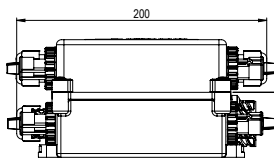
- Inlet:**
- 1 x 15 poled Ermax bayonet socket
  - 2x7 core AMP 1.5 socket for R and L tail light
  - 2 x 2 poled Super Seal socket with R+L position
  - 1 x 2 poled Super Seal socket with stop light
  - 1 x 2 poled Super Seal socket with reverse light
  - 1 x 2 poled Super Seal socket with rear fog light
  - 1 x 2 poled Super Seal socket with Aux 3

Cable gland: 1 x Ø5,5 mm x 2  
 2 x Ø10-7 mm  
 2 x Ø6-4 mm

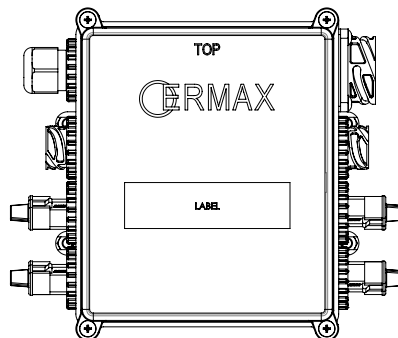
**099 866 760**  
 92.0000.5834



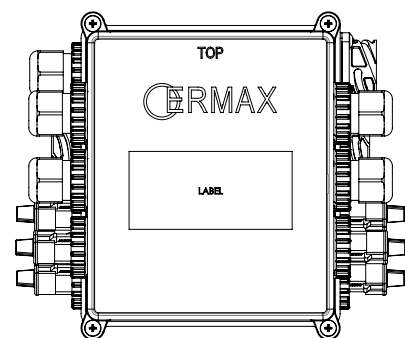
Lower cover



High cover



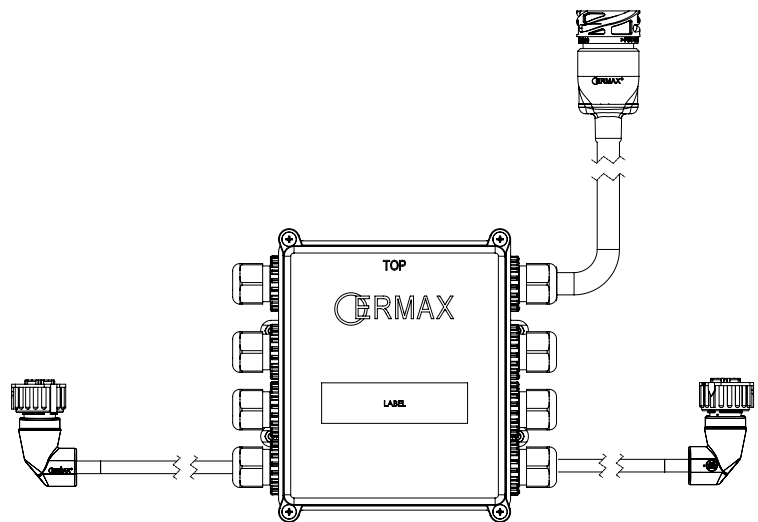
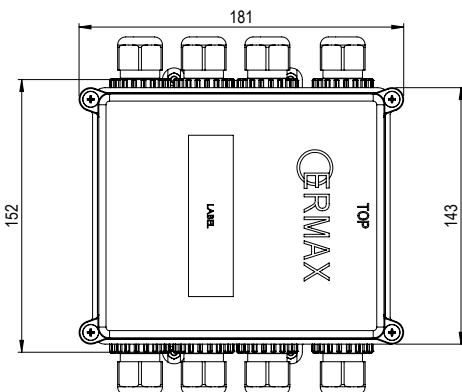
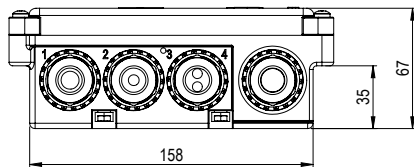
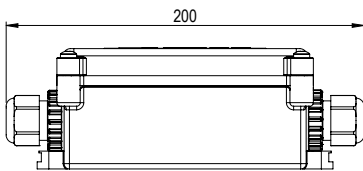
Low cover



High cover

**Rear connection Junction box**

	Application/ Description	Article No.
	<p><b>Junction box with cable</b>  <b>Housing of black plastic</b>  <b>IP Rating: IP 67</b></p> <p><b>Low cover</b></p> <p><b>Connection:</b>  <b>Inlet:</b> 1 x 15 poled Ermax bayonet socket with 1500 mm cable</p> <p><b>Outlet:</b> 2 x 7 poled AMP 1.5 plug with 1300 mm cable for R+L tail light</p> <p><b>Cable gland:</b> 2 x Ø5,5 mm                  2 x Ø6-4 mm                  1 x Ø7-10 mm</p>	<p><b>099 866 713</b>                  92.0000.7604</p>



Rear connection Junction box



Application/ Description

Article No.

Junction box with cable  
 Housing of black plastic  
 IP Rating: IP 67

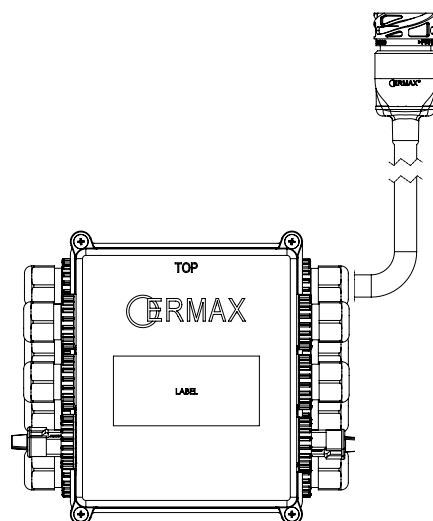
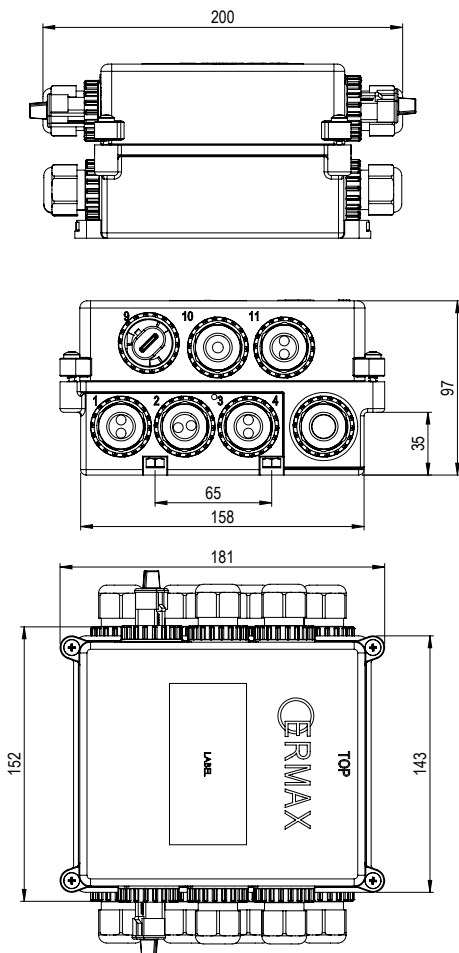
099 866 751  
 92.0000.7675

High cover

Connection:

Inlet: 1 x 15 poled Ermax Bayonet socket with  
 500 mm cable

Cable gland: 8 x Ø5,5 mm x 2  
 3 x Ø6-4 mm  
 2 x Ø10-7 mm



Rear connection Junction box



Application/ Description

Article No.

Junction box with cable  
 Housing of black plastic  
 IP Rating: IP 67

099 866 781  
 92.0000.5836

Hohe Cover

Connection:

**Inlet:** 1 x 15 poled Ermax bayonet socket with 1500 mm cable

**Outlet:** 2 x 3 7 poled AMP 1.5 plug angled, with 2100 mm cable for L+R tail light.

2 x 2 poled Super Seal socket with L+R position

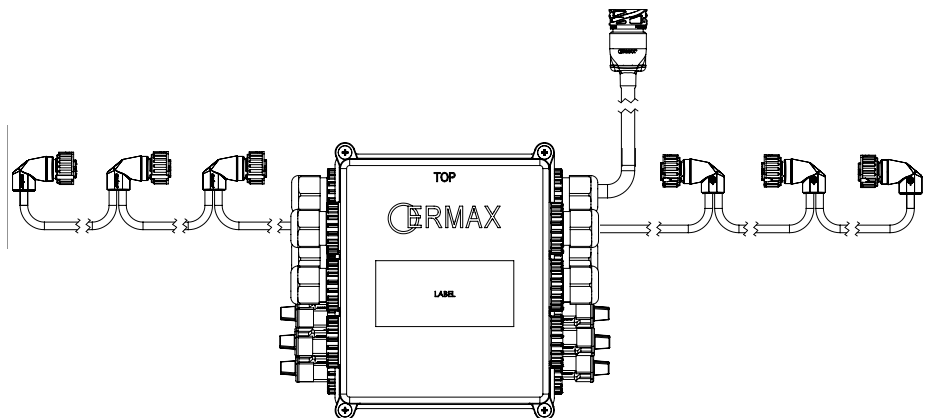
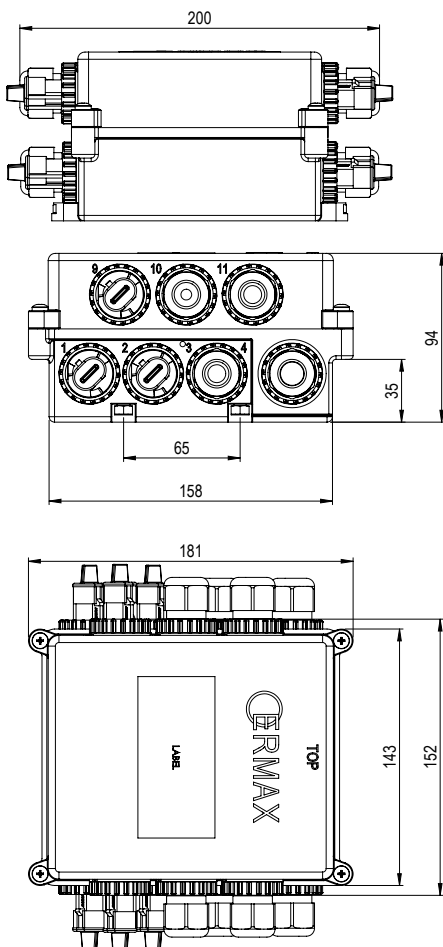
1 x 2 poled Super Seal socket with stop light

1 x 2 poled Super Seal socket with reverse light

1 x 2 poled Super Seal socket with rear fog light

1 x 2 poled Super Seal socket with Aux 3

Cable gland: 5x Ø6-4 mm

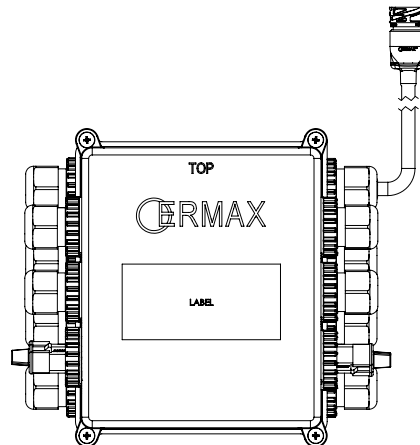
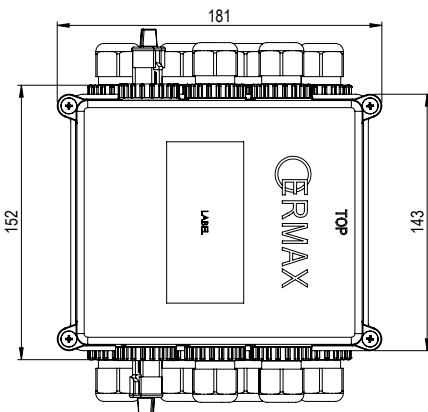
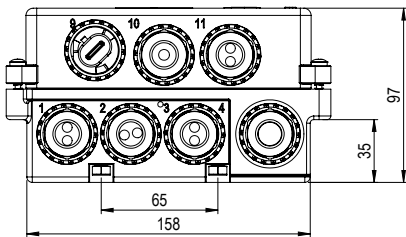
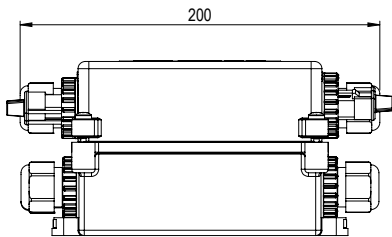




Rear connection Junction box - with SIMAC built-in



	Application/ Description	Article No.
	<p><b>Junction box with cable With SIMAC</b>                      Housing of black plastic                      IP Rating: IP 67</p> <p><b>High cover</b></p> <p><b>Connection:</b></p> <p><b>Inlet:</b> 1x15 core Ermax bayonet socket with 500 mm cable                      1 x 2 poled Super Seal socket for position / SIMAC, left                      1 x 2 poled Super Seal socket for position / SIMAC, right</p> <p>Cable gland: 7 x Ø5,5 mm x 2                      2 x Ø6-4 mm                      2 x Ø10-7 mm</p>	<p><b>099 869 751</b>                      92.0000.7605</p>



Rear connection Junction box - with SIMAC built-in



Application/ Description

Article No.

Junction box with cable With SIMAC  
 Housing of black plastic  
 IP Rating: IP 67

Higher cover

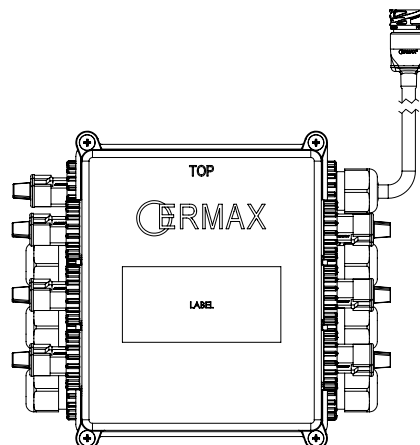
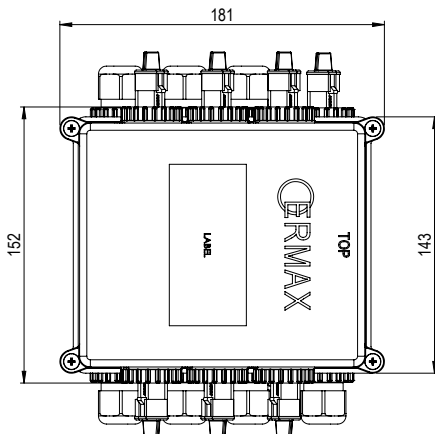
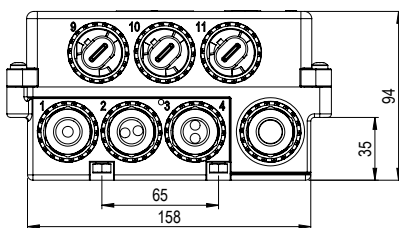
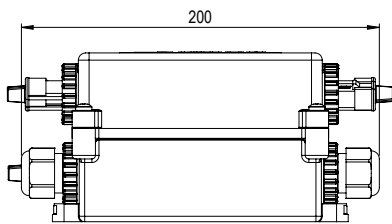
Connection:

Inlet: 1x15 core Ermax bayonet socket with 1500 mm cable

- 1 x 2 poled Super Seal socket with L position
- 1 x 2 poled Super Seal socket with R position
- 1 x 2 poled Super Seal socket with stop light
- 1 x 2 poled Super Seal socket with reverse light
- 1 x 2 poled Super Seal socket with rear fog light
- 1 x 2 poled Super Seal socket for position / SIMAC, left
- 1 x 2 poled Super Seal socket for position / SIMAC, right

Cable gland: 4 x Ø5,5 mm x 2  
 2 x Ø6-4 mm

099 869 756  
 92.0000.7141



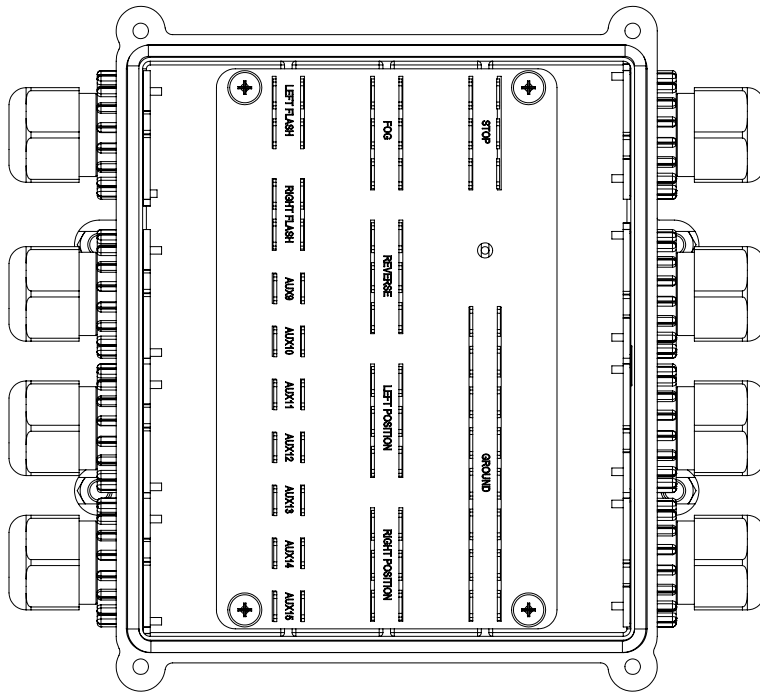
### Spare parts Junction box



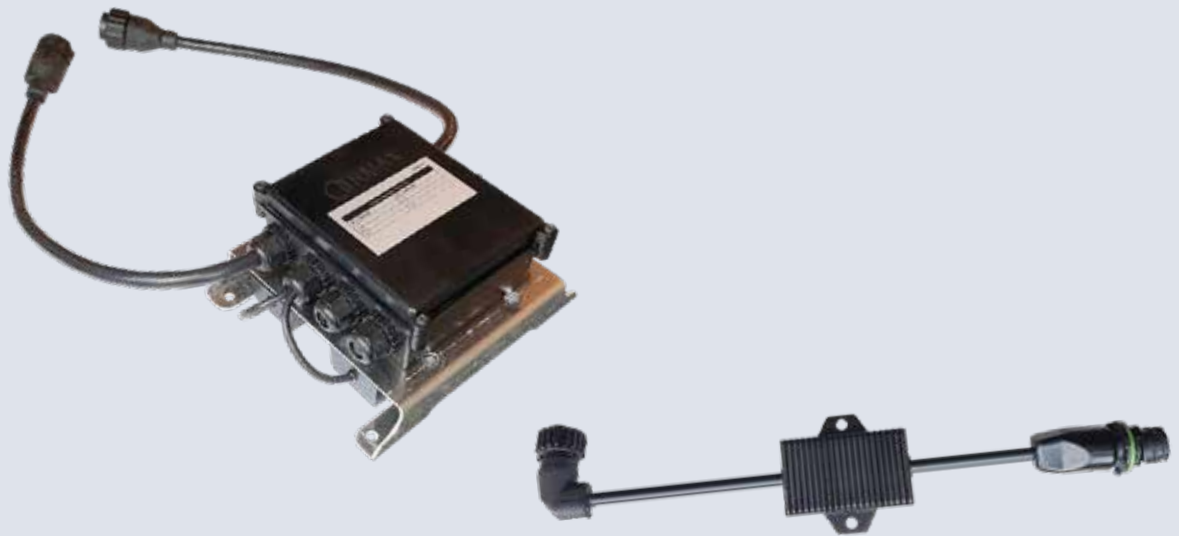
#### Spare parts / Accessories

Junction box without cover and connection, 8 x connection possibilities, 158 x 143 mm	1	<b>099 110 200</b> 92.0000.6562
Cover for junction box, low version, 158 x 143 x 18 mm	2	<b>099 110 201</b> 92.0000.6563
Cover for junction box, high version, 158 x 143 x 45 mm	3	<b>099 110 202</b> 92.0000.6564
Seal for inlet-/outlet in junction box, Ø34 x Ø23 x 3 mm	4	<b>099 110 203</b> 92.0000.6565
Bayonet-ring for inlet / outlet	5	<b>099 110 204</b> 92.0000.6566
Cable gland M22/2,0	6	<b>099 110 205</b> 92.0000.6567
Nut for cable gland	7	<b>099 110 206</b> 92.0000.6568
Rubber blind for cable gland Ø13-11 mm	8	<b>099 110 207</b> 92.0000.6569
Rubber blind for cable gland, Ø11-7 mm	9	<b>099 110 208</b> 92.0000.6570
Rubber blind, for inlet / outlet - for cable Ø6-4 mm	10	<b>099 110 209</b> 92.0000.6571
Rubber blind for cable gland, Ø5,5 mm x 2	11	<b>099 110 210</b> 92.0000.6572
Super Seal socket with black and white (-) cable	12	<b>099 110 211</b> 92.0000.6573
7 poled AMP 1.5 socket	13	<b>099 110 212</b> 92.0000.6574
Heating cable (resistor) 24V with cable shoe - 5W. Length: 545 mm	14	<b>093 865 125</b> 92.0000.1466

**Connection ISO 12098 Pin connection / Number of flat plugs 6,3 x 0,8 mm**



	Description	Pcs
1	Left direction indicator light	4 pcs
2	Right direction indicator light	4 pcs
3	Rear fog light	6 pcs
4	Ground	16 pcs
5	Left position	6 pcs
6	Right position	6 pcs
7	Stop light	6 pcs
8	Reverse light	6 pcs
9	Power supply, permanent positive	2 pcs
10	Aux 1, brake-wear sensor	2 pcs
11	Aux 2, stop control for trailers	2 pcs
12	Aux 3, lift axle	2 pcs
13	Ground for Pin 9-15 ( ISO12098 )	2 pcs
14	CANH - Data communication	2 pcs
15	CANL - Data communication	2 pcs



# ELECTRONIC CONTROL INITs

## Electronic control boxes - applications

### Light failure control



Failure at an indicator must for vehicles with a permission for driving in public traffic be shown optically or acoustically. This regulation is valid for all EU countries (EU Regulation 48 Art. 6.55.8).

If there is a surveillance of the brake light at the pulling vehicle there must also be a failure indicator for the brake lights.

As a LED light has a very low consumption there might be problems with the failure control at certain trucks. The low consumption is estimated as failure of the light control and shown as a failure.

Using the ERMAX LED control box the LED tail lights are tested and a resistance for indicator and stop function is mounted.

Should the consumption of the LED fall to below 10 mA (LED light or connections are defect) the resistance is disconnected, and the failure will be shown at the dashboard in the driver's cab according to the regulation.

#### Disclaimers:

A failure control device must not have any influence on the vehicle mileage log book of the trucks, and therefore Ermax cannot grant an overall guarantee that the application will work perfectly at all trucks.

## Intelligent LED Control Units for monitoring and failure control of LED tail lights

No worries – suitable for all types of vehicles regardless of the truck

### ERMAX LED Control units Generation 2.0 – Compatible with all truck brands\*

The new ERMAX LED control units are compatible with the older monitoring technologies as well as with the new ISO13207 standard for failure control. This means, that all known vehicles and trucks regardless of production year\* can communicate with the new ERMAX LED failure control units - generation 2.0 - no matter which truck a trailer is combined with.



LED Control unit 24V, universal  
- suitable for all tail lights functions



LED Control unit 24V,  
for both directions indicator - and stop light functions



LED Control unit 24V,  
for both directions indicator- and stop light functions  
- are integrated in the tail lights TM11 and TM12



LED Control box 24V,  
for direction indicator- and stop light functions as well as  
junction box (also version with integrated SIMAC®)

\* Valid for all known brands within EU as of 12/2020

### Highlights

- ERMAX LED Control units are compatible with all brands and building-year of trucks produced in EU\*, meaning, that a trailer with ERMAX LED failure control can be combined with all towing vehicles, old as new
- Use a technology which is NOT limited to ISO13207 and therefore suitable for all vehicles\*
- Easy and flexible built-in of the small compact variants due to the long cables, meaning that they can either be mounted directly behind the tail lights or mounted further ahead at the front under the vehicle
- The combined control unit for main cable installation combines both monitoring of the light functions, SIMAC® and at the same time function as a junction box
- The new Generation 2.0 LED failure control technology is already used as an integrated part of the ERMAX tail lights TM10, TM11 og TM12
- Approvals: ADR, EMC-R10



TM10 LED tail light



TM11 LED tail light

## TECHNICAL SPECIFICATIONS

### LED Control Unit 24V Generation 2.0 - Failure control LED tail lights

#### ERMAX LED Control Units Generation 2.0 - Applications


Ermac LED control units Generation 2.0 technology is already used today in several variants in order to solve the known problems concerning light monitoring.

Generation 2.0 LED control units monitor the direction indicator light function and / or the stop light function, and ensure full failure control, when LED tail lights are used at the trailer. In case of light failure, the light monitoring system at the truck is activated according to the regulation ECE 48.

The small compact LED control unit with AMP plug connections is easily mounted in front of the tail light in the right or left side. One variant monitors the direction indicator light function (098 298 146) and can be combined with the variant which monitors the stop light function (098 298 148).

If no AMP plugs are used, a universal variant with Open-end can be used for all tail light functions (one unit per function – 098 298 144).

By a complete ERMAX lighting installation the easiest variant to use, is the combined control box, which monitors both direction indicator- and stoplight functions (098 298 160). This is also available in a variant with SIMAC® (control of flashing side marker lights) (098 298 170) and both variants function also as a junction box, where all tail light functions can be reached.

Variants and functions						EMC 
Failure control function	Inlet	Outlet	Dimension (Control unit)	Distance mounting holes	Pos.	Article No.
Universal - for all tail light functions (one unit per function)	--	400 mm cable with Open-end	120 x 52 x 30 mm	70 mm / Ø8,5 mm	1	098 298 144
Indicator light	850 mm cable with 7-poled AMP socket	600 mm cable with 7-poled AMP plug	120 x 52 x 30 mm	70 mm / Ø8,5 mm	2	098 298 146
Stop light	1.800 mm cable with 7-poled AMP socket	1.500 mm cable with 7-poled AMP plug	120 x 52 x 30 mm	70 mm / Ø8,5 mm	2	098 298 148
Indicator- and stop light (one unit per function)	Mounting at the back of the housing of TM11 og TM12 Connection with 3 spring-loaded contact pins		118 x 38 x 25 mm	-	3	098 298 149
Indicator- and stop light and also junction box*	500 mm cable with 15-poled Ermac bayonet socket	500 mm cable with 15-poled Ermac bayonet plug	285 x 270 x 170 mm	250 x 240 mm / 4 x Ø8,5mm	4	098 298 160
Indicator- and stoplight, SIMAC and junction box*	500 mm cable with 15-poled Ermac bayonet socket	500 mm cable with 15-poled Ermac bayonet plug	285 x 270 x 170 mm	250 x 240 mm / 4 x Ø8,5mm	4	098 298 170

\* The LED Control box 098 298 160 and 098 298 170 functions as junction box and give the possibility to reach outlets of all ISO12098 light connections.



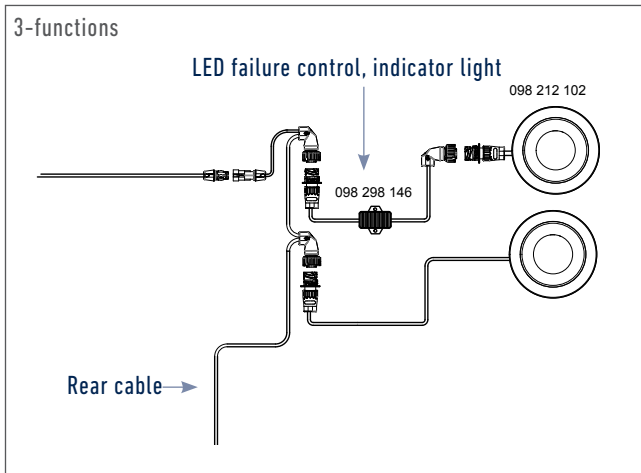


# TECHNICAL SPECIFICATIONS

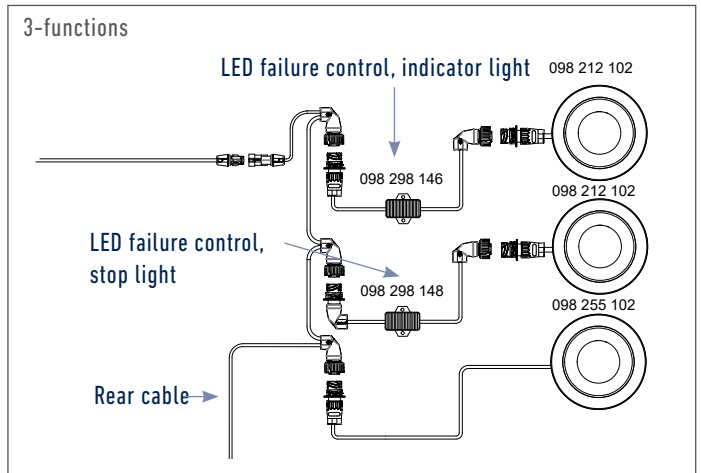
## LED Control Unit 24V Generation 2.0 - Failure control LED tail lights

### Examples of applications

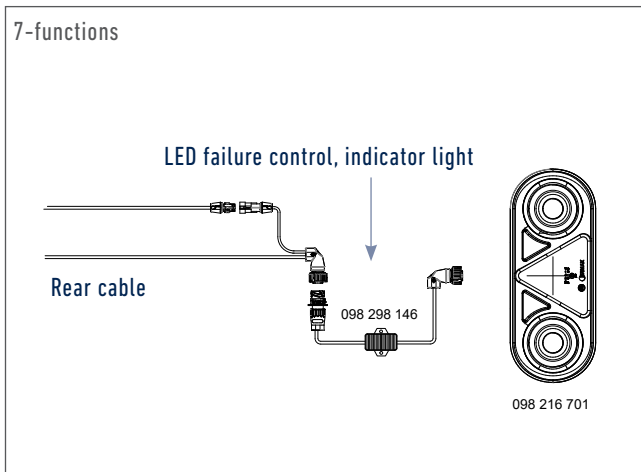
Ex: Configuration with failure control of indicator light



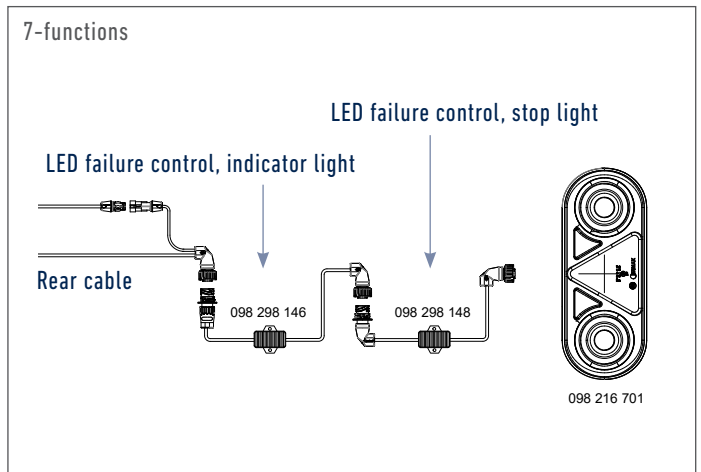
Ex: Configuration with failure control of indicator- & stop light



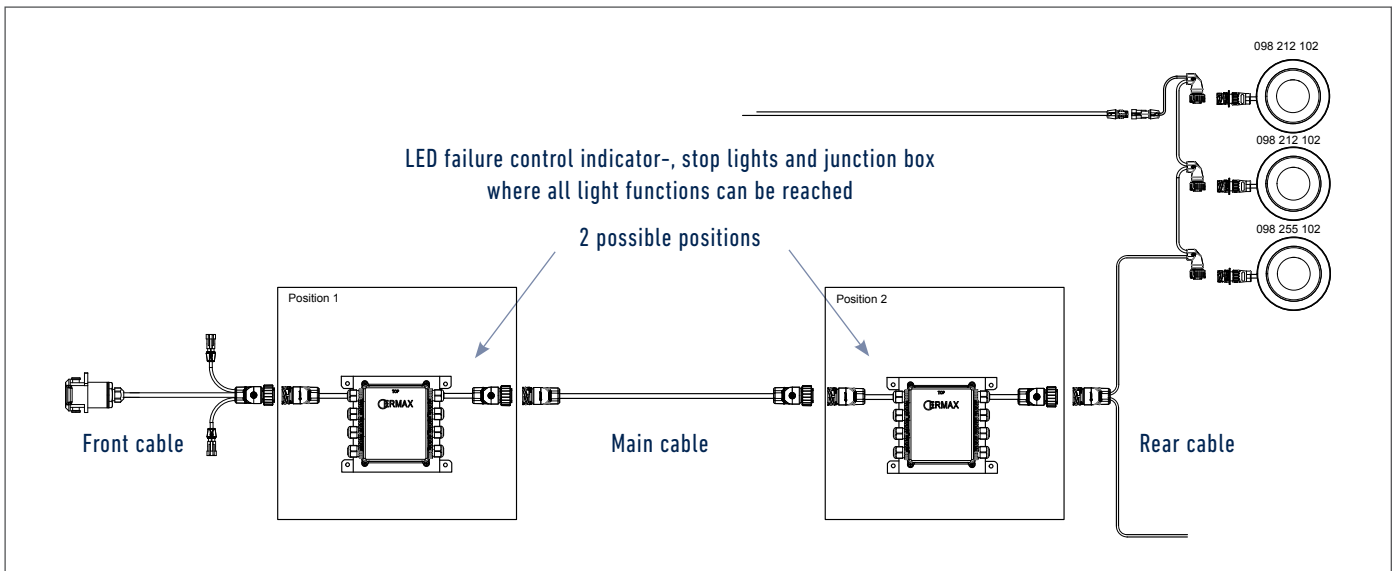
7-functions



7-functions



Ex: Configuration with failure control of indicator- & stop light - and junction box function

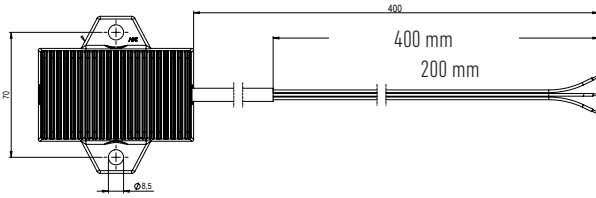


# TECHNICAL SPECIFICATIONS

## LED Control Unit 24V Generation 2.0 - Failure control LED tail lights

### Drawings / Dimensions

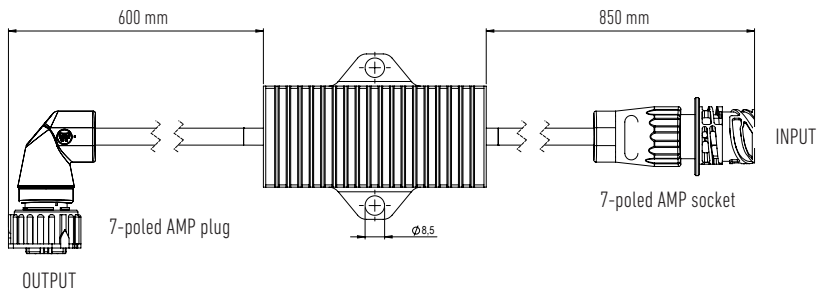
098 298 144



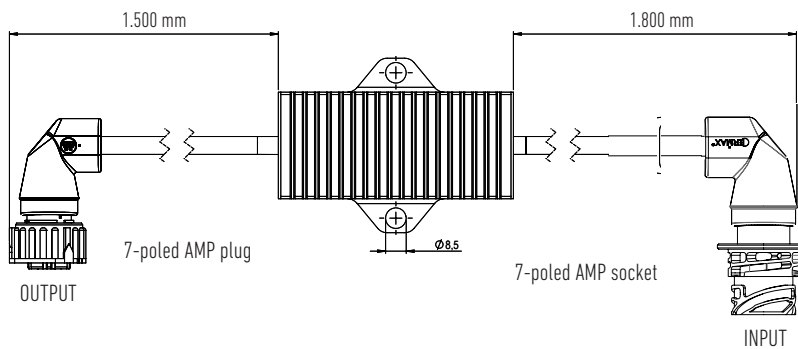
Contact assignment

Position	Colour	Function	Description
1	Brown	Ground	Minus
2	Blue	Input	Switch / Relay
3	Yellow - Green	Output	Tail light / light functions

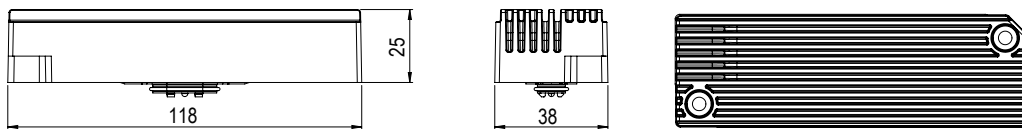
098 298 146



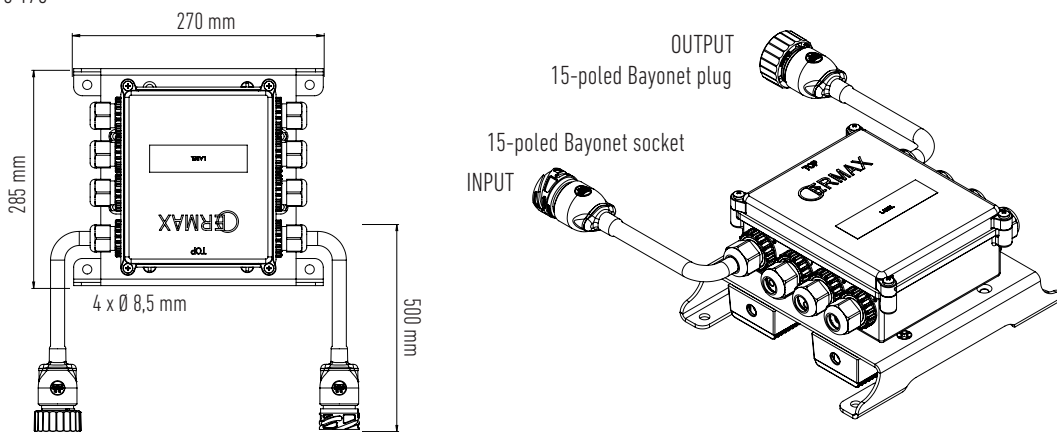
098 298 148



098 298 149



098 298 160 / 098 298 170



## Application overview - Vehicle brands and models

Vehicle-information				Variant of ERMAX LED control unit, which is usable*	
Vehicle brand	Type	Model	ISO13207	LED Control unit Gen. 1.0	LED Control unit Gen. 2.0
DAF	All	-		✓	✓
Iveco	All	-		✓	✓
MAN	F2000	-2000		✓	✓
	L2000	-2000		✓	✓
	M2000	-2000		✓	✓
	TG-A	2000-2007		✓	✓
	TG-L	2005-2017		✓	✓
	TG-L	2017-	✓		✓
	TG-M	2005-2016		✓	✓
	TG-M	2016-	✓		✓
	TG-S	2007-2016		✓	✓
	TG-S	2016-	✓		✓
	TG-X	2007-2016		✓	✓
Mercedes	TG-X	2016-	✓		✓
	Actros	1995-2015		✓	✓
	Actros	2015-	✓		✓
	Antos	2012-2016		✓	✓
	Antos	2016-	✓		✓
	Atego	1998-2017		✓	✓
	Atego	2017-	✓		✓
	Arocs	2013-2016		✓	✓
	Arocs	2016-	✓		✓
	Axor	2002-2017		✓	✓
	Axor	2017	✓		✓
SK	1989-1998		✓	✓	
Renault	All	-		✓	✓
Scania	92, 112, 142			✓	✓
	93, 113, 123, 143			✓	✓
	94, 114, 124, 144, 164	1995-2005		✓	✓
	P, R, T Series	2004-2017		LED Control unit not necessary	
	P, R, T Series	2018-	✓		✓
	G-Series	2007-		LED Control unit not necessary	
Volvo	FH I	1993-2012		✓	✓
	FH II	2012-		LED Control unit not necessary	
	FL I	1986-1999		✓	✓
	FL II	1999-2013		✓	✓
	FL II	2013-		LED Control unit not necessary	
	FM I	1998-2001		✓	✓
	FM II	2001-2010		✓	✓
	FM II	2010-		LED Control unit not necessary	

\*Documented in connection with Ermax tail lights





# PLUGS & SOCKETS



**Loose plugs**



**Functions**

Plug type	Yellow Rubber grommet	Pol	Cable shoe	Red end Position-Rubber grommet	Pos.	Article No.
Super Seal plug	Ø 1,8 - 2,4 mm	2	Plug grommet 0,5 - 1,0 mm <sup>2</sup>		1	<b>099 110 019</b> 92.0000.1686
Super Seal socket	Ø 1,8 - 2,4 mm	2	Plug 0,5 - 1,0 mm <sup>2</sup>		2	<b>099 110 018</b> 92.0000.1685
Super Seal plug incl. blanking plug	Ø 1,8 - 2,4 mm	3	Plug grommet 0,5 - 1,0 mm <sup>2</sup>	✓	3	<b>099 111 102</b> 92.0000.1690
Super Seal socket incl. blanking plug	Ø 1,8 - 2,4 mm	3	Plug grommet 0,5 - 1,0 mm <sup>2</sup>	✓	4	<b>099 111 103</b> 92.0000.1691
Super Seal plug	Ø 1,8 - 2,4 mm	4	Plug grommet 0,5 - 1,0 mm <sup>2</sup>	✓	5	<b>099 111 032</b> 92.0000.7567
Super Seal socket	Ø 1,8 - 2,4 mm	4	Plug grommet 0,5 - 1,0 mm <sup>2</sup>	✓	6	<b>099 111 026</b> 92.0000.7566

**Accessories**

Rubber grommet for 2 poled Super Seal plug	7	<b>099 110 712</b> 92.0000.1687
Rubber grommet for 3 poled Super Seal plug	8	<b>099 110 713</b> 92.0000.1688
T-coupling for 2 poled Super seal plug ( 3 sockets)	9	<b>099 111 415</b> 92.0000.1692
Blanking plugs for 2 poled Super Seal socket - black plastic	10	<b>099 110 028</b> 92.0000.0004
Blanking plugs for 2 poled Super Seal plug - black plastic	11	<b>099 110 029</b> 92.0000.0023

**Loose plugs & blanking plugs**



7 poled AMP 1.5 plug for cable with Ø 5,0-12 mm

**Functions**

Plug type	Pol	Rund Plug grommet	Blue* Rubber grommet	White Rubber grommet	Clear Position-Rubber grommet	Pos.	Article No.
AMP 1.5 socket Straight	4	1,0-2,5mm <sup>2</sup>	Ø1,2-2,1 mm (Yellow)			1	<b>099 110 468</b> 92.0000.7746
AMP 1.5 socket Angled	4	0,5-1,0 mm <sup>2</sup>	Ø1,2-2,1 mm (Grey)		✓	2	<b>099 110 469</b> 92.0000.7747
AMP 1,5 plug Straight	7	0,5 - 1,0 mm <sup>2</sup> 1,0 - 2,5 mm <sup>2</sup>	Ø 1,2 - 2,1 mm	Ø 2,2 - 3,0mm	✓	3	<b>099 111 481</b> 92.0000.1791
AMP 1,5 plug angled	7	0,5 - 1,0 mm <sup>2</sup> 1,0 - 2,5 mm <sup>2</sup>	Ø 1,2 - 2,1 mm	Ø 2,2 - 3,0mm	✓	4	<b>099 111 485</b> 92.0000.1792
AMP 1,5 socket Straight	7	0,5 - 1,0 mm <sup>2</sup> 1,0 - 2,5 mm <sup>2</sup>	Ø 1,2 - 2,1 mm	Ø 2,2 - 3,0mm	✓	5	<b>099 111 541</b> 92.0000.6456

**Accessories**

Rubber grommet for 7- and 4-poled AMP plug/socket - with cable inlet Ø5,8 mm	6	<b>099 110 715</b> 92.0000.7691
Rubber grommet for 7- and 4-poled AMP plug/socket - With 2 x cable inlets Ø5,8 mm	7	<b>099 110 716</b> 92.0000.7692
Rubber grommet for 7- and 4-poled AMP plug/socket - With 2 x cable inlets - 1 x Ø5,8 mm / 1 x 5,5x3,3 mm for side cable	8	<b>099 110 717</b> 92.0000.7693
Blanking plugs for 7 poled AMP-socket Black plastic	9	<b>099 110 027</b> 92.0000.0003
Blanking plugs for 7 poled AMP plug with bayonet gland Black plastic	10	<b>099 110 026</b> 92.0000.6201

**7 poled plugs & sockets ISO 1185 N**



Pos. 1



Pos. 2



Pos. 3



Pos. 4



Pos. 5

Functions							
ISO Norm	Plug type	Pol	Material	Flat plug connection	Cable outlet	Pos.	Article No.
1185	Socket	7	Plastic-housing with Alu-cover	6,3 x 0,8 mm	Rubber seal for cable Ø: 1 x 5,6-9,8 mm, End open 1 x 5,6-9,8 mm, End closed 1 x 5,6 mm, End closed	1	<b>090 257 127</b> 92.0000.6174
1185	Socket	7	Plastic-housing with Alu-cover	Dual Flat plug 6,3 x 0,8 mm	Rubber seal for cable Ø: 1 x 5,6-9,8 mm, End open 1 x 5,6-9,8 mm, End closed 1 x 5,6 mm, End closed	1	<b>090 257 130</b> 92.0000.7869
1185	Socket	7	Aluminum	6,3 x 0,8 mm	Rubber seal for cable Ø 9,5-12,5	2	<b>090 257 134</b> 92.0000.6175
1185	Plug	7	Plastic	6,3 x 0,8 mm	Rubber grommet for cable Ø7 mm	3	<b>090 257 721</b> 92.0000.6178
1185	Plug	7	Aluminum	6,3 x 0,8 mm	Gland and rubber blind	4	<b>090 257 716</b> 92.0000.6176
1185	Plug	7	Aluminum	Schraub Connection	Gland and rubber blind	5	<b>090 257 715</b> 92.0000.7321



**7 poled plugs & sockets ISO 3731 S**



Functions							
ISO Norm	Plug type	Pol	Material	Flat plug connection	Cable outlet	Pos.	Article No.
3731	Socket	7	Plastic-housing with Alu-cover	6,3 x 0,8 mm	Rubber seal for cable Ø: 1 x 5,6-9,8 mm, End open 1 x 5,6-9,8 mm, End closed 1 x 5,6 mm, End closed	1	<b>090 257 123</b> 92.0000.6173
3731	Socket	7	Plastic-housing with Alu-cover	Dual Flat plug 6,3 x 0,8 mm	Rubber seal for cable Ø: 1 x 5,6-9,8 mm, End open 1 x 5,6-9,8 mm, End closed 1 x 5,6 mm, End closed	1	<b>090 257 131</b> 92.0000.7870
3731	Socket	7	Aluminum	6,3 x 0,8 mm	Rubber seal for cable Ø 9,5-12,5	2	<b>090 257 118</b> 92.0000.7322
3731	Plug	7	Plastic	6,3 x 0,8 mm	Rubber grommet for cable Ø7 mm	3	<b>090 257 725</b> 92.0000.6179
3731	Plug	7	Aluminum	6,3 x 0,8 mm	Gland and rubber blind	4	<b>090 257 719</b> 92.0000.6177
3731	Plug	7	Aluminum	Schraub Connection	Gland and rubber blind	5	<b>090 257 718</b> 92.0000.7322

**7 poled plugs & sockets ISO 1724**



Pos 1



Pos 2



Pos 4



Pos 5



Pos 6

**Functions**

ISO Norm	Plug type	Pol	Material	Connection	Operation voltage	Consumption	Rubber cover	Pos	Article No.
1724	socket	7	Plastic	Screw	12V	20A		1	<b>090 147 328</b> 92.0000.7176
1724	socket	7	Plastic	Flat plug	12V	20A		2	<b>090 147 329</b> 92.0000.7800
1724	Plug	7	Plastic	Screw	12V	20A	✓	4	<b>090 147 727</b> 92.0000.7802
1724	Plug	7	Plastic	Screw	12V	20A		5	<b>090 147 716*</b> 92.0000.7814
1724	Plug	7	Plastic	Screw	12V	20A	✓	6	<b>090 147 717</b> 92.0000.7801

**Spare parts**

Flat flange gasket for socket 090 147 328/329	<b>090 147 912</b>
Socket holder	<b>090 147 939</b>
Holder for plug, suitable for 090 147 727	<b>090 147 935</b>
* 090 147 716 – with cable gland + rubber grommet for one or two cables	

**15 poled plugs & sockets ISO 12098**



Pos. 1



Pos. 2



Pos. 3



Pos. 4



Pos. 5



Pos. 6

Functions								
ISO Norm	Plug type	Pol	Material	Cable gland	Crimp Contact	Pos.	Article No.	
12098	socket	15	Plastic	For cable Ø 12,0-18,0 mm	3 x 2,5 mm <sup>2</sup> 12 x 1,0 - 1,5 mm <sup>2</sup>	1	<b>090 265 404</b> 92.0000.6180	
12098	socket	15	Plastic	For cable Ø 12,0-18,0 mm	3 x 2,5 mm <sup>2</sup> 12 x 1,0 - 1,5 mm <sup>2</sup>	2	<b>090 265 405</b> 92.0000.6181	
12098	Plug	15	Plastic	For cable Ø 12,0-18,0 mm	3 x 2,5 mm <sup>2</sup> 12 x 1,0 - 1,5 mm <sup>2</sup>	3	<b>090 265 606</b> 92.0000.6182	
12098	socket	15	Plastic	For cable Ø 7,0-12,0 mm	Screw-connection	1	<b>090 265 407</b> 92.0000.7371	
12098	Plug	15	Plastic	For cable Ø 12,0-18,0 + 7,0-12,0 mm	Screw-connection	3	<b>090 265 608</b> 92.0000.7372	

**Accessories / Spare parts**

PG cable gland with 3 outputs - for plug and socket ISO12098 and ISO7638 with rubber grommet for 3 cable: 1 x ø7,8mm - 1 x ø10,0mm - 1 x ø12,7mm	4	<b>090 265 000</b>
Contact (Male) for socket , crimping. 1,0 mm <sup>2</sup> - 1,5 mm <sup>2</sup> - ISO 4091 / 7638/ 12098	5	<b>090 190 181</b>
Contact (Male) for socket, crimping 2,5 mm <sup>2</sup> - ISO 4091 / 7638/ 12098	5	<b>090 190 182</b>
Contact (Male) for socket, crimping 4,0 mm <sup>2</sup> - ISO 4091 / 7638/ 12098	5	<b>090 190 183</b>
Contact (Male) for socket, crimping 6,0 mm <sup>2</sup> - ISO 4091 / 7638/ 12098	5	<b>090 190 184</b>
Contact for plug (female), crimping. 1,0 mm <sup>2</sup> - 1,5 mm <sup>2</sup> - ISO 4091 / 7638/ 12098	6	<b>090 190 191</b>
Contact for plug (female), crimping. 2,5 mm <sup>2</sup> - ISO 4091 / 7638/ 12098	6	<b>090 190 192</b>
Contact for plug (female), crimping. 4,0 mm <sup>2</sup> - ISO 4091 / 7638/ 12098	6	<b>090 190 193</b>
Contact for plug (female), crimping. 6,0 mm <sup>2</sup> - ISO 4091 / 7638/ 12098	6	<b>090 190 194</b>

**14 poled plugs & sockets VBG**



Pos. 1



Pos. 2



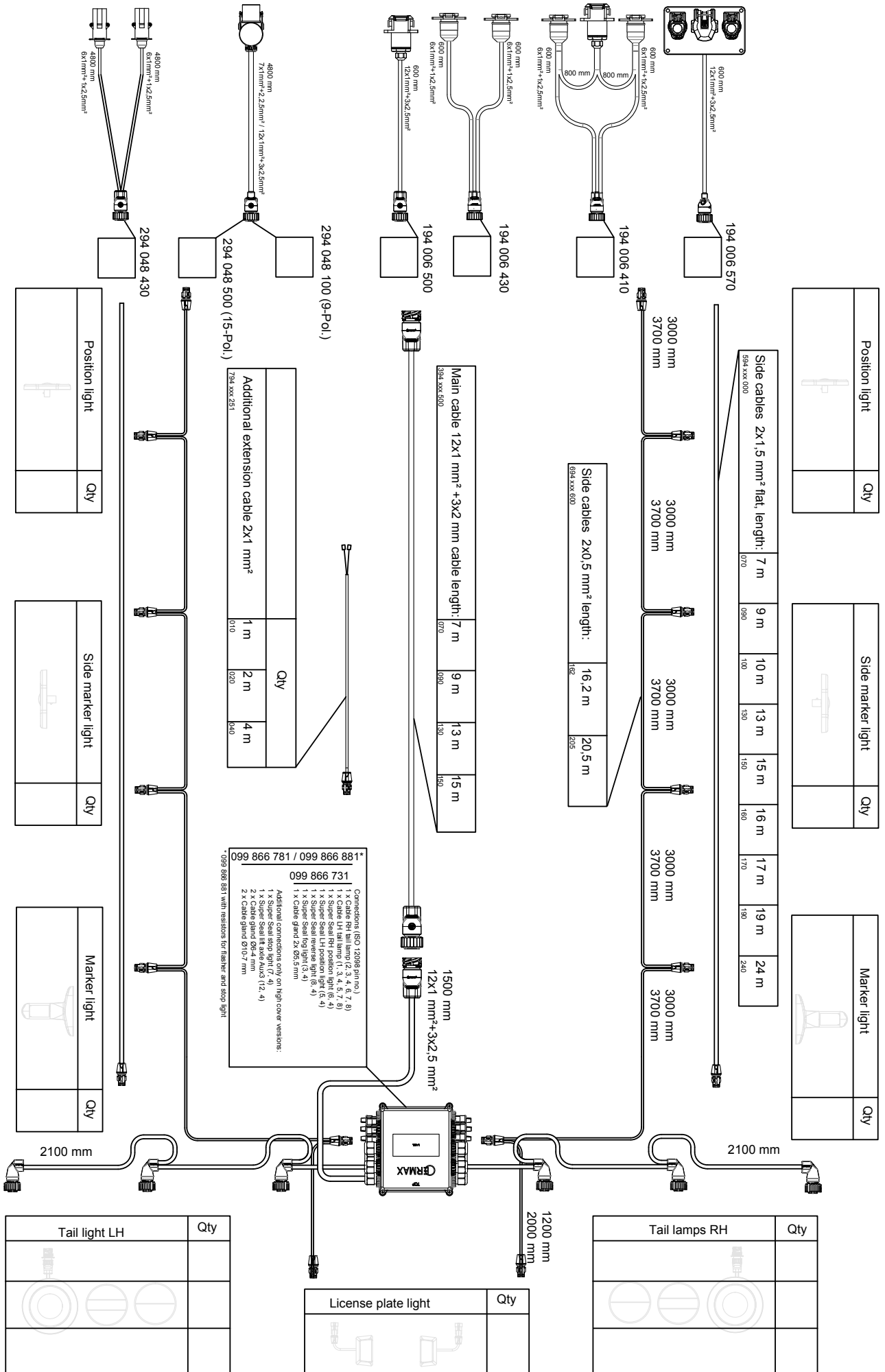
Pos. 3

Functions							
SAL	Plug type	Pol	Material	Cable gland	Crimp Contact	Pos.	Article No.
--	Socket	14	Plastic	For cable Ø 10,5-15,0 mm	Pin 1 & 2 - 9,5 mm 2 5A Einzelpin - 6,5 mm 15 A Doppelpin - 6,5 mm 15 A	1	<b>090 166 290</b> <i>92.0000.6180</i>
--	Plug	14	Plastic	For cable Ø 10,5-15,0 mm	Pin 1 & 2 - 9,5 mm 2 5A Einzelpin - 6,5 mm 15 A Doppelpin - 6,5 mm 15 A	2	<b>090 166 360</b> <i>92.0000.6653</i>
SAL	Plug	14	Plastic	For cable Ø 10,5-15,0 mm	Pin 1 & 2 - 9,5 mm 2 5A Einzelpin - 6,5 mm 15 A Doppelpin - 6,5 mm 15 A	3	<b>090 166 361</b> <i>92.0000.6654</i>

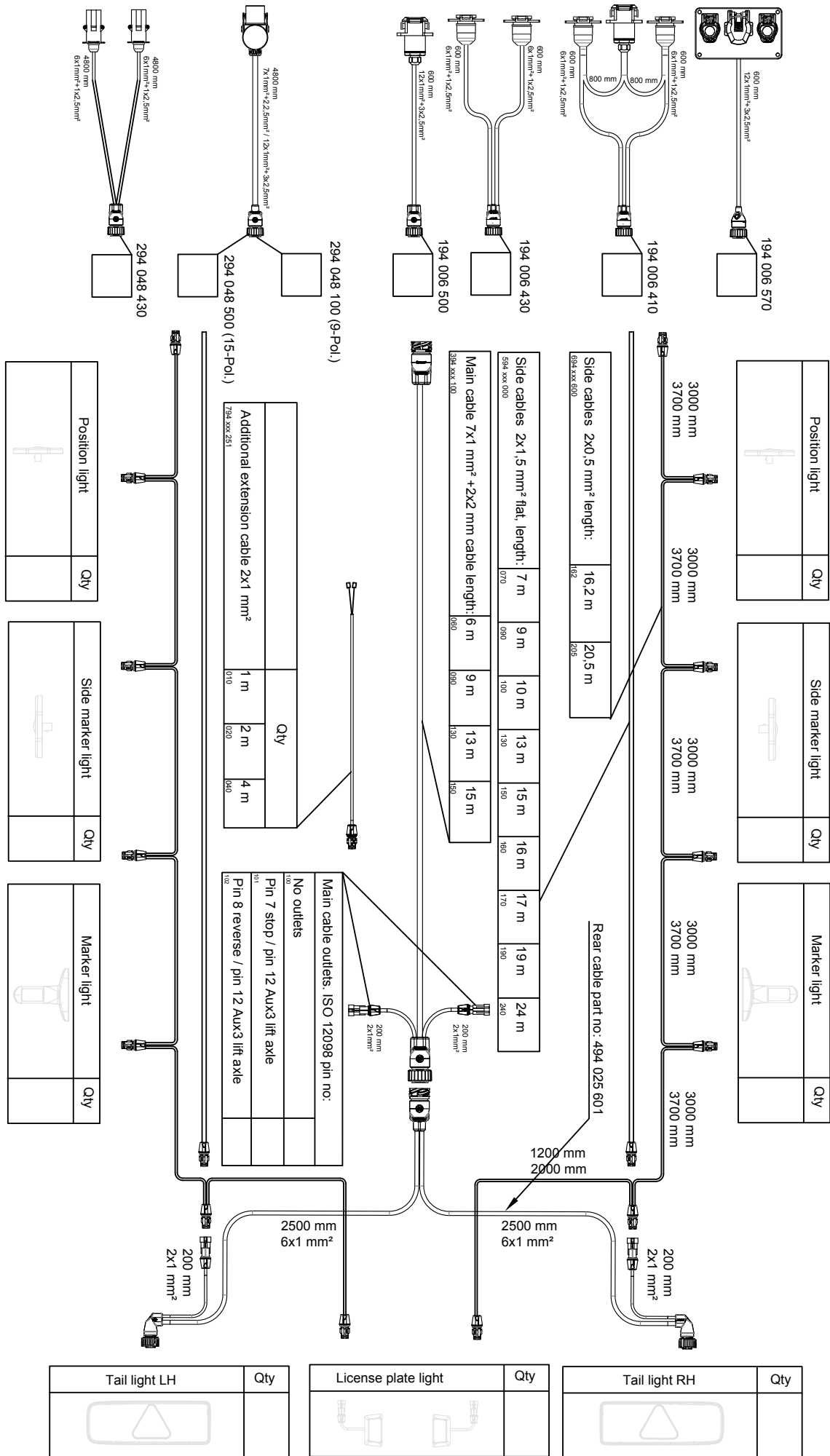
**CONFIGURATION**  
COMPLETE LIGHTING SYSTEMS





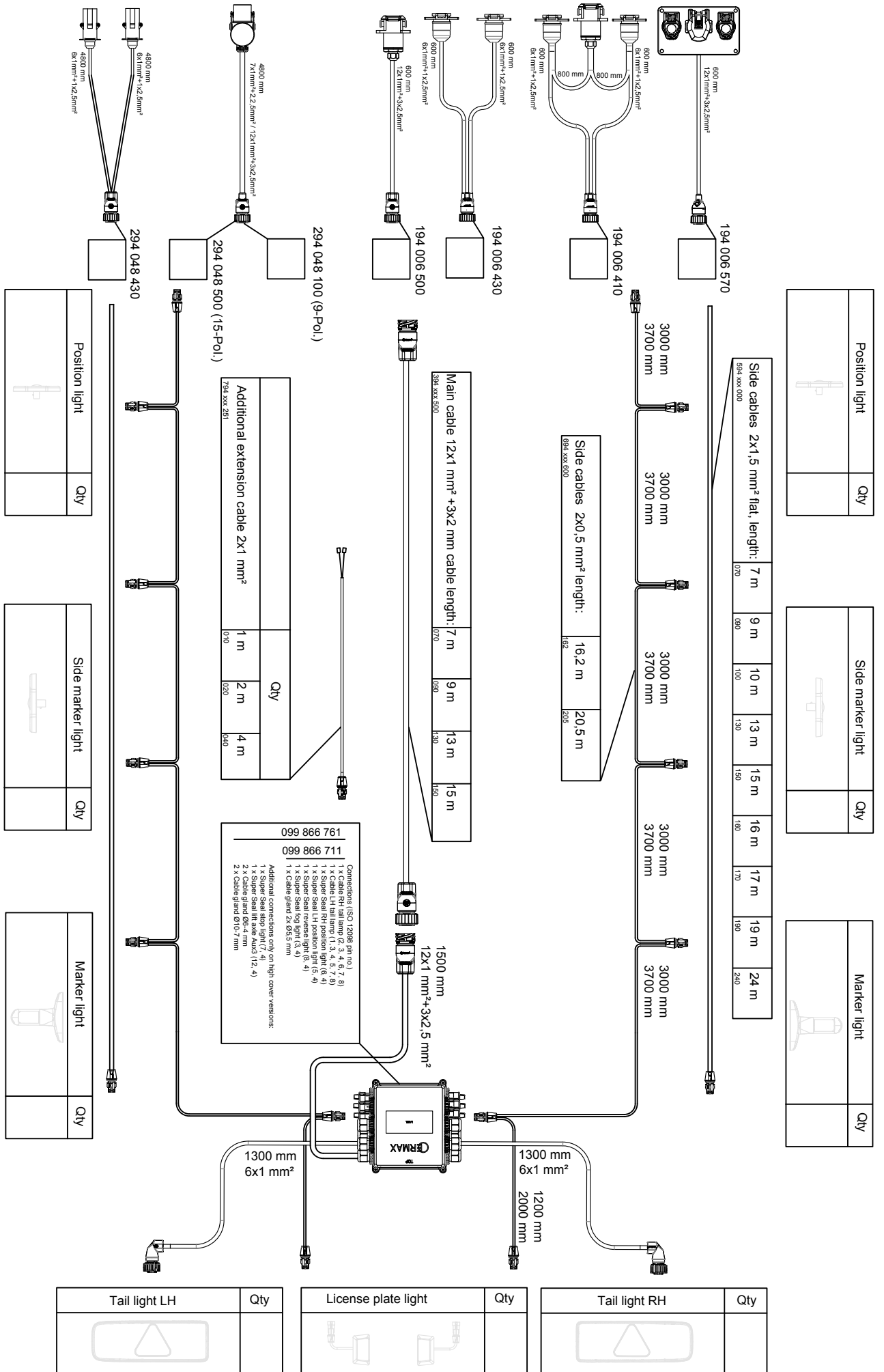


With Simac unit for flashing side marker light.  
(Final drawing will be corrected with LH+RH outputs on front connection)

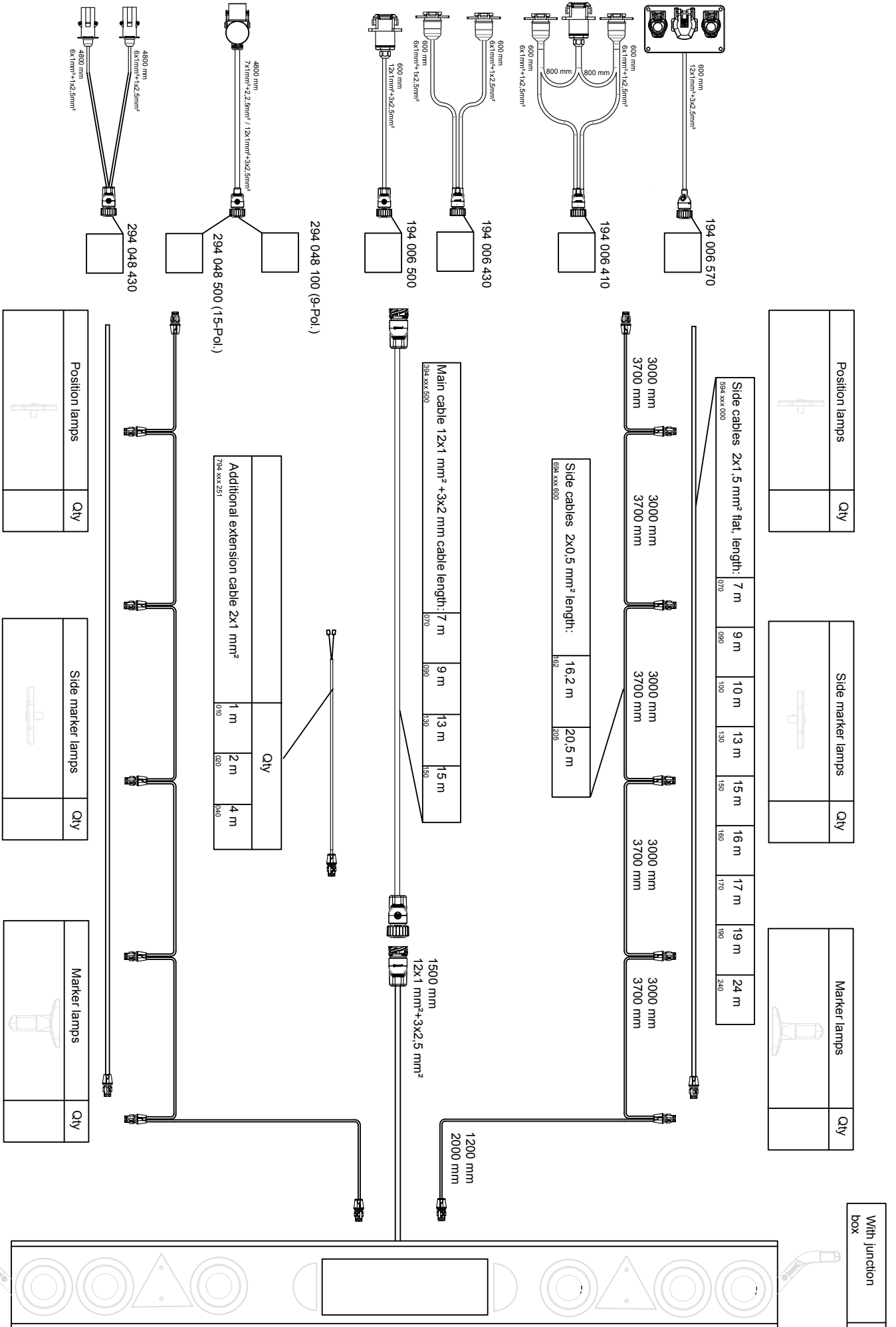


With Simac unit for flashing side marker light. (Final drawing will be corrected with L+R output on front connection)

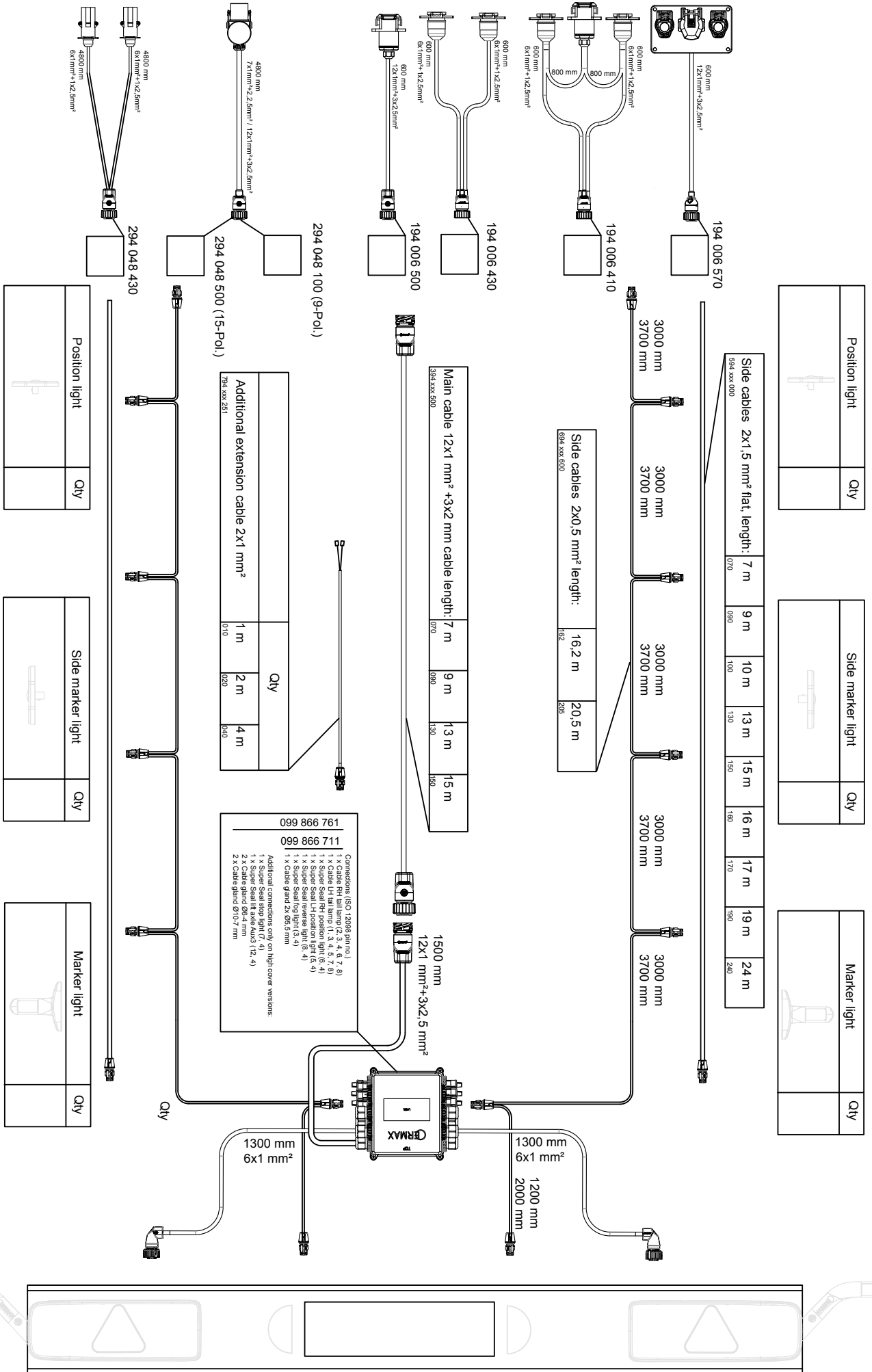




With Simrac unit for flashing side marker light.  
(Final drawing will be corrected with LH+RH outputs on front connection)



With Simac unit for flashing side marker lamps.  
(Final drawing will be corrected with LH+RH outputs on front connection)



With Simac unit for flashing side marker light.  
 (Final drawing will be corrected with LH+RH outputs  
 on front connection)





## BPW SUBSIDIARIES



**BPW Subsidiaries & agencies - Europe**
**[A] Austria**

Fahrzeugbedarf Kotz & Co. KG  
Industriestraße 7  
A-2353 Guntramsdorf  
Telefon +43 22 36 41 480  
www.fahrzeugbedarf.at

**[BA] RAL PARTS D.O.O. Tuzla**

Magistralni put bb  
Tuzla, 75320  
Bosnien-Hercegovina  
Telefon 00387 (0) 35 803 125

**[BE] Belgium**

BPW BENELUX Sprl  
Parc industriel des Hauts-Sarts  
Premiere avenue 66  
4040 Herstal  
Telefon +32 4 264 04 61  
www.bpw-benelux.be

**[CH] Switzerland**

Fahrzeugbedarf AG  
Waldeggstr. 6  
8810 Horgen  
Telefon +41 44 727 97 97  
www.fbh.ch

**[CZ] Czech Republic**

BPW spol. s r. o.  
Průmyslová 1842  
250 01, Brandýs nad Labem  
Telefon +420 326 905805  
www.bpw.cz

**[DE] Wiehl**

BPW Bergische Achsen  
Kommanditgesellschaft  
Ohlerhammer  
51674 Wiehl  
Telefon +49 (0) 2262 78-0  
www.bpw.de

**[DK] Denmark**

Besko A/S  
Vranderupvej 2  
6000 Kolding  
Telefon +45 75 52 52 00  
www.besko.dk

**[EE] Estonia**

XL Parts Baltics SIA (Gokart)  
Peterburi tee 111  
11415 Tallinn  
Telefon +372 623 0620  
www.gokart.ee

**[ES] Spain**

BPW Trapaco, S.L.  
C/Miguel Servet, 12  
Pol. Ind. La Garena  
28806 Alcalá de Henares, Madrid  
Telefon +34 91 802 36 00  
www.bpw.es

**[FIN] Finland**

BPW Kraatz Oy  
Ruukinmestarintie 9  
02330 Espoo  
Telefon +358 20 7936 700  
www.kraatz.fi

**[FR] France**

BPW France S.A.S.  
Paris Nord II  
195, Rue des Chardonnerets  
BP 59052 - Tremblay en France  
95947 Roissy C.D.G. Cédex  
Telefon +33 1 49381999  
www.bpwfrance.fr

**[HU] Hungary**

TT Parts Hungary Kft.  
Táblás u. 28-30  
1097 Budapest  
Telefon +36 1 3477000  
www.bpwtrade.hu

**[IT] Italy**

BPW Italia s.r.l.  
Via Flavio Gioia, 5/7  
37135 Verona  
Telefon +39 045 508777  
www.bpwitalia.it

**[LT] Lithuania**

Latina Baltics s.i.a.  
Kurzemes prosp. 23  
1067 Riga  
www.latina.lv/de/

**[NL] Holland**

BPW BENELUX  
Kantorenpark Het Kabinet  
Le Havre 49  
5627 ST Eindhoven  
Telefon +31 40 2647870  
www.bpw-benelux.nl

**[NO] Norway**

BPW Hofstad A/S  
Ringnesveien 23  
0978 Oslo  
Telefon +47 22 101050  
www.bpw.no

**[PL] Poland**

BPW Polska Sp. z o.o.  
ul. Warszawska 205/219  
05-092 Lomianki  
Telefon +48 22 751 77 97  
www.bpw.pl

**[PT] Portugal**

Sumig Ibérica Lda  
Apartado n° 65  
Torre de Marinha  
2841-905 Seixal  
Telefon +351 915 566 494  
www.sumigiberica.com

**[RO] Romania**

Auto Brand  
Alexandriei Str. 335 Bis,  
Bragadiru  
77025 Ilfov  
Telefon +40 21 448 01 82  
www.autobrand.ro

**[RU] Russia**

000 BPW-Ost  
Leningradskoje Chosse 25 A  
141402 Moskau, Chimki  
Telefon +7 495 7716177  
www.bpw-ost.ru

**[SE] Sweden**

FOMA  
Fordonsmateriel AB  
Lagegatan 15  
262 71 Ängelholm  
Telefon +46 431 458800  
www.fordonsmateriel.se

## BPW Subsidiaries & agencies - Europe

### [TR] Turkey

BPW Otomotiv A.S.  
Sanayi ve Ticaret Anonim Sirketi  
Aydin caddesi-Aydin  
IS Merkezi Nr. 2/10  
34330 Levent-Istanbul  
Telefon +90 212 284 5450  
www.bpw.de

### [UK] Great Britain

BPW Liwithed  
Legion Way  
Meridian Business Park  
Leicester LE19 1UZ  
Telefon +44 116 2816100  
www.bpw.co.uk

### [UA] Ukraine

000 BPW-Ost  
Simi Sosninykh str. 3  
03148 Kiev, Ukraine  
Telefon +38 (044) 537-27-95  
www.bpw-ost.ru

## BPW Subsidiaries & agencies - Worldwide

### [AU] Australia

BPW Transpec Pty Liwithed  
1-11 Cherry Lane  
North Laverton  
Melbourne 3026  
Telefon +61 3 92672444  
www.bpwtranspec.com.au

### [CN] China

BPW Meizhou Axle Co. Ltd.  
Shanghai Office  
Fortune Tower, Room 1001  
Zhang Yang Road No. 655  
Pudong  
P.R. China - Shanghai 200120  
Telefon +86 21 58304588  
www.bpw.cn

### [IN] Indien

BPW Trailer Systems India Private  
Liwithed  
Gat No. 357/96, Kharabwadi, Chakan  
Tehsil: Khed  
Pune 410501  
Telefon +91 02135623800  
www.bpwindia.com

### [JP] Japan

Nippon BPW Liwithed  
Takuei Yokohama Nishiguchi  
No 2., Bldg. 8F  
Tsuruya-cho 3-35-8,  
Kanagawa-ku  
Yokohama, Kanagawa 221-0835  
Telefon +81 45 317 9265

### [KZ] Kasachstan

000 BPW-Ost  
Timiryazev Str. 42  
050057 Almaty  
Telefon +7 727 2459496  
www.bpw-ost.ru

### [NZ] New Zealand

BPW Transport Efficiency Ltd. 10  
Echelon Place  
East Tamaki  
Auckland  
www.tenz.co.nz

### [SG] Singapore

BPW Asia Pte Ltd  
66 Joo Koon Circle,  
Jurong  
Singapore 629079  
Telefon +65 68613111

### [ZA] South Africa

BPW Axles (Pty) Ltd.  
Cnr. Kitty & Donald Streets  
Chrisville 2091  
Johannesburg  
Telefon +27 11 680 1443  
www.bpw.co.za

### [TH] Thailand

BPW Asia Pte Ltd Representative  
Office Thailand 2/58 Seaboard Build-  
ing, 3rd floor Rayong Highway No.  
3191 Road Maptaphut, Rayong 21150  
Thailand







## INDEX

ERMAX / BPW ARTICLE NO.



# INDEX ERMAX

## Index ERMAX Article-No.

ARTICLE NO.	PAGE	ARTICLE NO.	PAGE	ARTICLE NO.	PAGE	ARTICLE NO.	PAGE
090 147 328	202	090 265 000	203	098 204 506	67	098 216 350	45
090 147 329	202	090 265 404	203	098 204 507	67	098 216 351	45
090 147 716*	202	090 265 405	203	098 204 720	65	098 216 352	45
090 147 717	202	090 265 407	203	098 204 722	65	098 216 353	45
090 147 727	202	090 265 606	203	098 204 724	65	098 216 354	45
090 147 912	202	090 265 608	203	098 204 726	65	098 216 355	45
090 147 935	202	090 450 350	104	098 204 732	65	098 216 356	45
090 147 939	202	091 324 003	49	098 204 734	65	098 216 357	45
090 165 813	158	091 624 071	46	098 204 736	65	098 216 358	45
090 166 290	204	091 624 071	49	098 212 002	41	098 216 365	45
090 166 360	204	091 624 072	62	098 212 008	41	098 216 366	45
090 166 361	204	091 624 075	46	098 212 017	41	098 216 367	45
090 180 165	165	091 624 075	49	098 212 022	39	098 216 368	45
090 180 165	169	091 624 075	54	098 212 027	39	098 216 400	21
090 190 181	203	091 624 078	46	098 212 028	39	098 216 401	21
090 190 182	203	093 865 125	187	098 212 101	37	098 216 402	21
090 190 183	203	098 174 080	100	098 212 102	37	098 216 403	21
090 190 184	203	098 174 095	100	098 212 274	42	098 216 404	21
090 190 191	203	098 174 141	101	098 212 275	42	098 216 405	21
090 190 192	203	098 174 149	100	098 212 344	35	098 216 406	21
090 190 193	203	098 174 250	97	098 212 345	35	098 216 407	21
090 190 194	203	098 174 255	97	098 212 346	35	098 216 408	25
090 195 440	158	098 174 260	98	098 212 349	35	098 216 408	27
090 195 835	159	098 174 265	98	098 212 351	48	098 216 409	25
090 195 840	159	098 174 268	98	098 212 352	48	098 216 409	27
090 257 118	201	098 174 270	99	098 212 356	48	098 216 410	25
090 257 123	201	098 174 275	99	098 212 442	35	098 216 411	25
090 257 127	200	098 174 278	99	098 212 446	35	098 216 412	25
090 257 130	200	098 174 279	99	098 215 080	47	098 216 413	25
090 257 131	201	098 203 601	69	098 215 085	47	098 216 414	25
090 257 134	200	098 203 605	69	098 215 171 *	19	098 216 415	25
090 257 715	200	098 203 725	43	098 215 173 *	19	098 216 424	23
090 257 716	200	098 204 501	67	098 215 232	18	098 216 425	23
090 257 718	201	098 204 502	67	098 215 234	18	098 216 430	21
090 257 719	201	098 204 503	67	098 215 235 *	18	098 216 431	21
090 257 721	200	098 204 504	67	098 215 237 *	18	098 216 500	21
090 257 725	201	098 204 505	67	098 216 349	45	098 216 501	21

# INDEX ERMAX

## Index ERMAX Article-No.

ARTICLE NO.	PAGE	ARTICLE NO.	PAGE	ARTICLE NO.	PAGE	ARTICLE NO.	PAGE
098 216 502	21	098 221 610	69	098 221 748	65	098 241 422	57
098 216 503	21	098 221 611	69	098 221 752	65	098 241 423	57
098 216 504	21	098 221 615	69	098 221 754	65	098 241 425	57
098 216 505	21	098 221 620	67	098 221 756	65	098 241 426	57
098 216 506	21	098 221 621	67	098 230 401	67	098 241 427	57
098 216 507	21	098 221 622	67	098 230 405	67	098 241 428	57
098 216 508	25	098 221 623	67	098 230 415	67	098 241 429	57
098 216 508	27	098 221 624	67	098 230 420	67	098 241 430	57
098 216 509	25	098 221 625	67	098 230 425	67	098 241 438	28
098 216 509	27	098 221 626	67	098 230 427	67	098 241 438	57
098 216 510	25	098 221 627	67	098 230 428	67	098 241 439	28
098 216 511	25	098 221 628	67	098 230 430	67	098 241 439	57
098 216 512	25	098 221 629	67	098 230 431	67	098 241 442	46
098 216 513	25	098 221 630	67	098 230 450	67	098 241 443	46
098 216 514	25	098 221 631	67	098 230 601	69	098 241 448	32
098 216 515	25	098 221 632	67	098 230 605	69	098 241 448	57
098 216 524	22	098 221 635	67	098 230 720	65	098 241 449	32
098 216 525	22	098 221 640	67	098 230 722	65	098 241 449	57
098 216 526	22	098 221 641	67	098 230 724	65	098 241 470	17
098 216 527	22	098 221 642	67	098 230 726	65	098 241 471	17
098 216 530	21	098 221 650	67	098 230 730 *	65	098 241 616	59
098 216 531	21	098 221 651	67	098 230 732	65	098 241 626	59
098 216 550	31	098 221 652	67	098 230 734	65	098 241 686	59
098 216 551	31	098 221 662	67	098 230 736	65	098 241 726	59
098 216 552	31	098 221 664	67	098 230 737	65	098 241 816	59
098 216 553	31	098 221 720	65	098 241 016	59	098 241 826	59
098 216 555	31	098 221 722	65	098 241 026	59	098 241 886	59
098 216 701	17	098 221 724	65	098 241 086	59	098 241 954	61
098 216 702	17	098 221 726	65	098 241 124	46	098 241 956	61
098 216 707	17	098 221 730	65	098 241 205	58	098 241 959	61
098 216 708	17	098 221 732	65	098 241 211	58	098 241 986	61
098 216 713	17	098 221 734	65	098 241 215	58	098 241 987	61
098 216 714	17	098 221 736	65	098 241 216	58	098 241 989	61
098 216 717	17	098 221 740	65	098 241 217	58	098 254 158	54
098 216 718	17	098 221 742	65	098 241 218	58	098 254 159	54
098 221 601	69	098 221 744	65	098 241 218	165	098 254 161	54
098 221 605	69	098 221 746	65	098 241 218	165	098 254 330	53

# INDEX ERMAX

## Index ERMAX Article-No.

ARTICLE NO.	PAGE	ARTICLE NO.	PAGE	ARTICLE NO.	PAGE	ARTICLE NO.	PAGE
098 254 332	53	098 258 110	74	098 265 140	85	098 287 400	110
098 254 334	53	098 258 120	74	098 265 142	85	098 287 410	110
098 254 335	53	098 258 130	74	098 265 144	85	098 287 420	110
098 254 336	53	098 258 140	74	098 267 605	85	098 287 936	111
098 254 338	53	098 258 150	74	098 267 610	85	098 287 938	111
098 254 340	53	098 258 160	74	098 269 123	165	098 287 940	111
098 254 342	53	098 258 170	74	098 269 123	165	098 287 942	112
098 254 344	53	098 258 200	75	098 269 200	86	098 287 942	165
098 254 345	53	098 258 210	75	098 269 202	86	098 287 942	165
098 254 346	53	098 258 220	75	098 269 204	86	098 287 944	112
098 254 348	53	098 258 230	75	098 269 412	86	098 287 946	112
098 254 350	53	098 258 240	75	098 269 414	86	098 291 012	60
098 255 002	41	098 258 250	75	098 269 416	86	098 291 016	60
098 255 014	41	098 258 260	75	098 269 417	86	098 291 070	88
098 255 017	41	098 258 270	75	098 269 419	86	098 291 124	62
098 255 018	41	098 258 300	76	098 269 421	86	098 291 126	62
098 255 022	39	098 258 320	76	098 269 800	163	098 291 127	62
098 255 027	39	098 258 400	76	098 269 805	163	098 291 128	62
098 255 028	39	098 258 430	76	098 269 810	163	098 291 129	62
098 255 101	37	098 258 520	77	098 269 815	163	098 291 602	68
098 255 102	37	098 258 530	77	098 269 820	163	098 291 606	69
098 255 104	37	098 258 580	77	098 269 830	164	098 291 610	68
098 255 274	42	098 258 627	78	098 269 835	164	098 291 690	102
098 255 275	42	098 258 635	78	098 269 840	164	098 291 912	69
098 255 341	35	098 259 000	80	098 269 845	164	098 291 950	173
098 255 346	35	098 261 060	84	098 269 850	164	098 292 215	37
098 256 040	48	098 261 062	84	098 274 070	88	098 292 216	41
098 256 050	48	098 261 064	84	098 274 071	88	098 292 242	49
098 256 250	96	098 262 061	84	098 274 072	88	098 292 354	49
098 256 255	96	098 262 063	84	098 274 073	88	098 292 360	35
098 256 343	35	098 262 065	84	098 274 725	89	098 292 360	49
098 256 346	35	098 264 120	84	098 286 290	107	098 292 610	32
098 257 346	35	098 264 122	84	098 286 444	106	098 292 620	68
098 257 349	35	098 264 124	84	098 286 445	106	098 292 621	68
098 258 000	80	098 265 130	84	098 286 446	106	098 292 622	68
098 258 001	80	098 265 132	84	098 286 448	106	098 292 626	68
098 258 100	74	098 265 134	84	098 286 449	106	098 292 627	68

# INDEX ERMAX

## Index ERMAX Article-No.

ARTICLE NO.	PAGE	ARTICLE NO.	PAGE	ARTICLE NO.	PAGE	ARTICLE NO.	PAGE
098 292 628	68	098 299 603	79	099 110 468	199	099 869 751	177
098 292 629	65	098 299 605	79	099 110 469	199	099 869 751	185
098 292 629	68	098 299 607	79	099 110 712	102	099 869 756	177
098 292 700	65	098 299 608	79	099 110 712	198	099 869 756	186
098 292 701	65	098 299 609	79	099 110 713	198	099 897 032	172
098 292 702	65	098 299 610	79	099 110 715	199	099 897 045	172
098 292 703	65	098 299 612	79	099 110 716	199	099 897 049	172
098 295 561	113	098 299 620	79	099 110 717	199	099 897 055	172
098 295 562	113	099 110 000	79	099 111 026	198	099 897 076	172
098 295 562	165	099 110 001	79	099 111 032	198	099 897 079	172
098 295 562	165	099 110 018	102	099 111 043	102	099 897 081	172
098 295 564	113	099 110 018	198	099 111 102	198	099 897 134	172
098 295 565	113	099 110 019	102	099 111 103	198	099 897 220	172
098 295 567	113	099 110 019	198	099 111 415	102	099 897 225	172
098 295 583	113	099 110 026	199	099 111 415	198	099 897 295	172
098 296 174	102	099 110 027	199	099 111 481	199	099 897 298	172
098 296 351	46	099 110 028	102	099 111 485	199	099 897 610	172
098 296 352	46	099 110 028	198	099 111 541	199	194 004 490	122
098 296 354	28	099 110 029	102	099 859 970	173	194 006 410	124
098 296 355	28	099 110 029	198	099 866 700	177	194 006 430	123
098 296 700	32	099 110 031	173	099 866 700	178	194 006 433	123
098 296 710	17	099 110 032	173	099 866 710	177	194 006 500	120
098 296 710	28	099 110 200	187	099 866 710	181	194 006 501	120
098 296 710	32	099 110 201	187	099 866 713	177	194 006 511	124
098 296 710	46	099 110 202	187	099 866 713	182	194 006 570	125
098 296 720	35	099 110 203	187	099 866 740	177	194 006 571	125
098 296 720	49	099 110 204	187	099 866 740	179	194 060 500	120
098 298 144	192	099 110 205	187	099 866 745	177	194 075 500	120
098 298 146	192	099 110 206	187	099 866 745	180	194 130 500	120
098 298 148	192	099 110 207	187	099 866 750	177	194 150 500	120
098 298 149	32	099 110 208	187	099 866 750	178	294 010 100	121
098 298 149	192	099 110 209	187	099 866 751	177	294 010 500	121
098 298 160	192	099 110 210	187	099 866 751	183	294 048 100	121
098 298 170	192	099 110 211	187	099 866 760	177	294 048 430	123
098 298 200	118	099 110 212	187	099 866 760	181	294 048 490	122
098 298 205	118	099 110 230	125	099 866 781	177	294 048 491	122
098 299 602	79	099 110 231	125	099 866 781	184	294 048 493	122

# INDEX ERMAX

## Index ERMAX Article-No.

ARTICLE NO.	PAGE	ARTICLE NO.	PAGE	ARTICLE NO.	PAGE	ARTICLE NO.	PAGE
294 048 500	121	394 130 100	126	494 025 604	134	694 080 300	144
294 048 501	121	394 130 101	127	494 025 606	136	694 094 300	144
294 070 500	121	394 130 102	127	494 025 607	135	694 115 300	144
394 003 001	131	394 130 105	128	494 025 610	137	694 115 600	146
394 003 501	129	394 130 500	126	494 025 611	137	694 117 400	145
394 003 502	129	394 130 551	132	494 025 613	137	694 124 400	145
394 003 504	129	394 130 571	132	494 025 651	133	694 135 300	144
394 003 505	129	394 150 100	126	494 025 656	136	694 151 500	145
394 003 506	129	394 150 101	127	494 030 610	137	694 162 600	146
394 003 526	130	394 150 102	127	494 030 651	139	694 175 400	145
394 003 530	130	394 150 105	128	494 030 653	139	694 175 600	146
394 003 533	130	394 150 500	126	494 050 610	137	694 182 500	145
394 003 534	130	394 150 551	132	494 050 612	137	694 195 400	145
394 003 560	131	394 150 571	132	494 055 453	140	694 205 600	146
394 005 551	132	394 170 100	126	494 055 651	139	694 225 500	145
394 006 571	132	394 170 105	128	594 020 000	142	694 315 800	146
394 020 500	126	394 170 551	132	594 040 000	142	794 002 230	148
394 040 100	126	394 170 571	132	594 070 000	142	794 003 740	152
394 060 100	126	394 190 101	127	594 090 000	142	794 005 220	150
394 060 102	127	394 200 100	126	594 100 000	142	794 005 230	148
394 060 107	128	494 015 420	140	594 130 000	142	794 005 251	149
394 060 551	132	494 015 610	137	594 150 000	142	794 005 261	150
394 060 571	132	494 015 651	139	594 170 000	142	794 005 270	150
394 070 100	126	494 015 653	139	594 180 000	142	794 005 280	173
394 070 105	128	494 018 651	139	594 190 000	142	794 010 200	147
394 070 500	126	494 018 652	139	594 210 000	142	794 010 230	148
394 080 500	126	494 020 453	140	694 006 350	143	794 010 251	149
394 090 100	126	494 020 610	137	694 008 400	145	794 010 261	150
394 090 101	127	494 020 611	137	694 008 401	166	794 010 700	151
394 090 102	127	494 021 620	138	694 025 300	144	794 010 701	151
394 090 105	128	494 021 630	138	694 030 200	143	794 015 200	147
394 090 115	129	494 021 631	138	694 032 300	144	794 015 220	150
394 090 500	126	494 021 657	138	694 039 201	143	794 015 230	148
394 090 551	132	494 025 600	133	694 040 300	144	794 015 240	149
394 090 571	132	494 025 601	133	694 042 200	143	794 015 251	149
394 100 100	126	494 025 602	134	694 052 201	143	794 015 261	150
394 110 500	126	494 025 603	134	694 053 200	143	794 015 270	150

# INDEX ERMAX

## Index ERMAX Article-No.

ARTICLE NO.	PAGE	ARTICLE NO.	PAGE	ARTICLE NO.	PAGE	ARTICLE NO.	PAGE
794 015 280	173	894 010 200	153				
794 020 200	147	894 020 230	153				
794 020 230	148	894 030 230	153				
794 020 251	149	894 040 230	153				
794 020 700	151	894 060 230	153				
794 025 220	150	992 942 150	165				
794 025 230	148	992 942 150	165				
794 030 200	147	992 942 150	169				
794 030 230	148	994 002 062	155				
794 035 220	150	994 002 063	155				
794 035 270	150	994 002 150	155				
794 035 280	173	994 002 151	155				
794 040 200	147	994 003 064	155				
794 040 251	149	994 015 240	166				
794 050 200	147	994 015 245	166				
794 050 220	150	994 015 270	167				
794 050 230	148	994 015 275	167				
794 050 600	151	994 015 300	167				
794 060 200	147	994 015 335	165				
794 060 230	148	994 015 335	168				
794 060 251	149	994 030 300	165				
794 060 600	151	994 030 300	167				
794 075 230	148	994 030 330	168				
794 080 251	149	994 030 335	165				
794 100 230	148	994 030 335	168				
794 105 251	149	994 030 390	156				
794 115 230	148	994 035 700	156				
794 125 600	151	994 035 790	156				
794 150 200	147	994 035 900	157				
794 150 230	148	994 035 990	157				
894 003 641	141	994 040 150	157				
894 003 641	154	994 040 151	158				
894 005 200	153						
894 005 230	153						
894 005 240	153						
894 005 640	141						
894 005 640	154						

# INDEX BPW

## Index BPW Article-No.

ARTICLE NO.	PAGE	ARTICLE NO.	PAGE	ARTICLE NO.	PAGE	ARTICLE NO.	PAGE
92.0000.0000	126	92.0000.1452	45	92.0000.1525	69	92.0000.1576	54
92.0000.0001	142	92.0000.1458	67	92.0000.1526	69	92.0000.1577	54
92.0000.0002	120	92.0000.1466	187	92.0000.1527	69	92.0000.1584	39
92.0000.0003	199	92.0000.1474	100	92.0000.1528	67	92.0000.1585	39
92.0000.0004	102	92.0000.1475	101	92.0000.1529	67	92.0000.1587	42
92.0000.0004	198	92.0000.1477	100	92.0000.1530	67	92.0000.1591	48
92.0000.0005	147	92.0000.1481	69	92.0000.1531	67	92.0000.1593	48
92.0000.0006	142	92.0000.1482	69	92.0000.1532	67	92.0000.1597	35
92.0000.0012	41	92.0000.1486	67	92.0000.1533	67	92.0000.1607	35
92.0000.0021	126	92.0000.1487	67	92.0000.1534	67	92.0000.1608	35
92.0000.0022	147	92.0000.1489	67	92.0000.1535	67	92.0000.1613	84
92.0000.0023	102	92.0000.1490	67	92.0000.1536	67	92.0000.1614	84
92.0000.0023	198	92.0000.1491	39	92.0000.1537	67	92.0000.1615	84
92.0000.0024	147	92.0000.1492	39	92.0000.1545	67	92.0000.1616	84
92.0000.0025	121	92.0000.1500	42	92.0000.1546	67	92.0000.1617	84
92.0000.0026	146	92.0000.1501	35	92.0000.1547	67	92.0000.1618	84
92.0000.0027	153	92.0000.1502	35	92.0000.1548	67	92.0000.1619	84
92.0000.0029	121	92.0000.1503	48	92.0000.1549	67	92.0000.1620	84
92.0000.0030	132	92.0000.1504	48	92.0000.1550	67	92.0000.1621	84
92.0000.0031	126	92.0000.1505	48	92.0000.1551	69	92.0000.1622	84
92.0000.0032	132	92.0000.1506	45	92.0000.1552	69	92.0000.1623	84
92.0000.0033	124	92.0000.1507	45	92.0000.1553	59	92.0000.1624	84
92.0000.0034	126	92.0000.1508	45	92.0000.1554	59	92.0000.1625	85
92.0000.0038	137	92.0000.1509	45	92.0000.1557	59	92.0000.1626	85
92.0000.0039	146	92.0000.1510	45	92.0000.1560	57	92.0000.1627	85
92.0000.0040	147	92.0000.1511	45	92.0000.1561	57	92.0000.1632	86
92.0000.1001	67	92.0000.1512	45	92.0000.1562	57	92.0000.1633	86
92.0000.1002	142	92.0000.1513	45	92.0000.1563	57	92.0000.1634	86
92.0000.1003	45	92.0000.1514	45	92.0000.1564	59	92.0000.1636	86
92.0000.1004	45	92.0000.1515	17	92.0000.1565	59	92.0000.1638	86
92.0000.1007	67	92.0000.1516	17	92.0000.1566	59	92.0000.1659	60
92.0000.1009	86	92.0000.1519	17	92.0000.1567	59	92.0000.1660	60
92.0000.1011	173	92.0000.1520	17	92.0000.1568	59	92.0000.1663	68
92.0000.1012	138	92.0000.1521	17	92.0000.1569	59	92.0000.1664	69
92.0000.1016	136	92.0000.1522	17	92.0000.1570	59	92.0000.1665	68
92.0000.1050	85	92.0000.1523	69	92.0000.1571	61	92.0000.1666	173
92.0000.1051	173	92.0000.1524	69	92.0000.1575	54	92.0000.1668	35



# INDEX BPW

## Index BPW Article-No.

ARTICLE NO.	PAGE	ARTICLE NO.	PAGE	ARTICLE NO.	PAGE	ARTICLE NO.	PAGE
92.0000.1668	49	92.0000.1702	129	92.0000.1746	142	92.0000.1781	167
92.0000.1669	68	92.0000.1703	132	92.0000.1747	142	92.0000.1782	165
92.0000.1670	68	92.0000.1704	126	92.0000.1748	142	92.0000.1782	167
92.0000.1671	68	92.0000.1705	132	92.0000.1749	142	92.0000.1783	168
92.0000.1672	68	92.0000.1706	132	92.0000.1750	143	92.0000.1784	156
92.0000.1673	113	92.0000.1708	126	92.0000.1751	145	92.0000.1785	156
92.0000.1674	113	92.0000.1709	126	92.0000.1752	143	92.0000.1786	157
92.0000.1674	165	92.0000.1710	127	92.0000.1753	150	92.0000.1787	157
92.0000.1674	165	92.0000.1711	127	92.0000.1754	149	92.0000.1789	157
92.0000.1675	113	92.0000.1712	128	92.0000.1755	150	92.0000.1790	158
92.0000.1676	113	92.0000.1713	132	92.0000.1756	150	92.0000.1791	199
92.0000.1676	113	92.0000.1715	127	92.0000.1757	173	92.0000.1792	199
92.0000.1677	113	92.0000.1716	127	92.0000.1758	148	92.0000.5353	67
92.0000.1679	46	92.0000.1717	128	92.0000.1759	149	92.0000.5354	67
92.0000.1680	46	92.0000.1718	132	92.0000.1760	151	92.0000.5358	131
92.0000.1681	35	92.0000.1719	132	92.0000.1761	151	92.0000.5359	130
92.0000.1681	49	92.0000.1721	126	92.0000.1762	150	92.0000.5359	131
92.0000.1685	102	92.0000.1722	127	92.0000.1763	148	92.0000.5360	129
92.0000.1685	198	92.0000.1723	127	92.0000.1764	149	92.0000.5362	140
92.0000.1686	102	92.0000.1724	128	92.0000.1765	150	92.0000.5364	148
92.0000.1686	198	92.0000.1725	132	92.0000.1766	150	92.0000.5365	148
92.0000.1687	102	92.0000.1726	132	92.0000.1767	149	92.0000.5366	151
92.0000.1687	198	92.0000.1730	139	92.0000.1768	151	92.0000.5367	153
92.0000.1688	198	92.0000.1731	139	92.0000.1769	148	92.0000.5368	165
92.0000.1690	198	92.0000.1732	139	92.0000.1770	150	92.0000.5368	165
92.0000.1691	198	92.0000.1734	140	92.0000.1771	150	92.0000.5368	169
92.0000.1692	102	92.0000.1735	137	92.0000.1772	173	92.0000.5369	156
92.0000.1692	198	92.0000.1736	138	92.0000.1773	149	92.0000.5374	67
92.0000.1693	172	92.0000.1737	133	92.0000.1774	148	92.0000.5375	67
92.0000.1694	172	92.0000.1738	133	92.0000.1774	148	92.0000.5376	123
92.0000.1695	123	92.0000.1739	134	92.0000.1775	149	92.0000.5382	126
92.0000.1696	120	92.0000.1740	134	92.0000.1776	149	92.0000.5384	127
92.0000.1697	125	92.0000.1741	134	92.0000.1777	153	92.0000.5385	126
92.0000.1698	125	92.0000.1742	137	92.0000.1778	141	92.0000.5386	137
92.0000.1699	120	92.0000.1743	139	92.0000.1778	154	92.0000.5387	139
92.0000.1700	123	92.0000.1744	137	92.0000.1779	153	92.0000.5389	137
92.0000.1701	129	92.0000.1745	137	92.0000.1780	166	92.0000.5390	137

# INDEX BPW

## Index BPW Article-No.

ARTICLE NO.	PAGE	ARTICLE NO.	PAGE	ARTICLE NO.	PAGE	ARTICLE NO.	PAGE
92.0000.5391	137	92.0000.5781	67	92.0000.5885	46	92.0000.6025	65
92.0000.5392	139	92.0000.5782	67	92.0000.5886	42	92.0000.6026	65
92.0000.5394	142	92.0000.5783	67	92.0000.5887	42	92.0000.6028	65
92.0000.5395	142	92.0000.5799	145	92.0000.5888	62	92.0000.6029	65
92.0000.5396	142	92.0000.5813	61	92.0000.5889	62	92.0000.6030	65
92.0000.5397	166	92.0000.5814	61	92.0000.5890	62	92.0000.6031	65
92.0000.5398	144	92.0000.5815	61	92.0000.5891	49	92.0000.6032	65
92.0000.5399	143	92.0000.5816	61	92.0000.5892	138	92.0000.6033	65
92.0000.5400	144	92.0000.5817	61	92.0000.5901	35	92.0000.6034	65
92.0000.5402	144	92.0000.5826	177	92.0000.5902	35	92.0000.6035	65
92.0000.5403	150	92.0000.5826	178	92.0000.5914	126	92.0000.6038	132
92.0000.5404	149	92.0000.5827	177	92.0000.5922	120	92.0000.6045	126
92.0000.5405	148	92.0000.5827	181	92.0000.5924	144	92.0000.6046	143
92.0000.5406	148	92.0000.5830	177	92.0000.5925	145	92.0000.6074	143
92.0000.5407	147	92.0000.5830	179	92.0000.6002	65	92.0000.6079	145
92.0000.5408	148	92.0000.5833	177	92.0000.6003	65	92.0000.6079	145
92.0000.5410	148	92.0000.5833	178	92.0000.6004	65	92.0000.6086	130
92.0000.5411	149	92.0000.5834	177	92.0000.6005	65	92.0000.6086	130
92.0000.5412	148	92.0000.5834	181	92.0000.6006	65	92.0000.6086	130
92.0000.5413	148	92.0000.5836	177	92.0000.6007	65	92.0000.6087	129
92.0000.5414	153	92.0000.5836	184	92.0000.6008	65	92.0000.6094	143
92.0000.5463	18	92.0000.5868	37	92.0000.6009	65	92.0000.6165	120
92.0000.5464	18	92.0000.5869	37	92.0000.6010	65	92.0000.6170	121
92.0000.5476	18	92.0000.5870	58	92.0000.6011	65	92.0000.6173	201
92.0000.5477	18	92.0000.5871	58	92.0000.6012	65	92.0000.6174	200
92.0000.5490	173	92.0000.5872	58	92.0000.6013	65	92.0000.6175	200
92.0000.5491	62	92.0000.5873	58	92.0000.6014	65	92.0000.6176	200
92.0000.5492	62	92.0000.5874	58	92.0000.6015	65	92.0000.6177	201
92.0000.5531	67	92.0000.5875	37	92.0000.6017	65	92.0000.6178	200
92.0000.5702	41	92.0000.5876	37	92.0000.6018	65	92.0000.6179	201
92.0000.5723	140	92.0000.5881	49	92.0000.6019	65	92.0000.6180	203
92.0000.5725w	147	92.0000.5882	46	92.0000.6020	65	92.0000.6180	204
92.0000.5727	141	92.0000.5882	49	92.0000.6021	65	92.0000.6181	203
92.0000.5727	154	92.0000.5883	62	92.0000.6022	65	92.0000.6182	203
92.0000.5732	39	92.0000.5884	46	92.0000.6023	65	92.0000.6193	43
92.0000.5734	39	92.0000.5884	49	92.0000.6024	65	92.0000.6201	199
92.0000.5735	49	92.0000.5884	54	92.0000.6024	65	92.0000.6236	126

# INDEX BPW

## Index BPW Article-No.

ARTICLE NO.	PAGE	ARTICLE NO.	PAGE	ARTICLE NO.	PAGE	ARTICLE NO.	PAGE
92.0000.6236	126	92.0000.6389	21	92.0000.6553	53	92.0000.6636	144
92.0000.6273	122	92.0000.6390	21	92.0000.6554	53	92.0000.6637	145
92.0000.6274	122	92.0000.6391	25	92.0000.6555	53	92.0000.6638	145
92.0000.6289	155	92.0000.6391	27	92.0000.6556	53	92.0000.6639	37
92.0000.6290	155	92.0000.6392	25	92.0000.6557	53	92.0000.6640	28
92.0000.6303	152	92.0000.6392	27	92.0000.6558	89	92.0000.6641	28
92.0000.6348	153	92.0000.6393	25	92.0000.6559	79	92.0000.6649	80
92.0000.6355	28	92.0000.6394	25	92.0000.6560	79	92.0000.6653	204
92.0000.6355	32	92.0000.6395	25	92.0000.6561	79	92.0000.6654	204
92.0000.6355	57	92.0000.6396	25	92.0000.6562	187	92.0000.6655	172
92.0000.6356	28	92.0000.6397	25	92.0000.6563	187	92.0000.6656	172
92.0000.6356	32	92.0000.6398	25	92.0000.6564	187	92.0000.6657	172
92.0000.6356	57	92.0000.6450	111	92.0000.6565	187	92.0000.6658	172
92.0000.6367	21	92.0000.6451	111	92.0000.6566	187	92.0000.6659	172
92.0000.6368	21	92.0000.6452	111	92.0000.6567	187	92.0000.6660	172
92.0000.6369	21	92.0000.6453	112	92.0000.6568	187	92.0000.6661	172
92.0000.6370	21	92.0000.6453	165	92.0000.6569	187	92.0000.6662	172
92.0000.6371	21	92.0000.6453	165	92.0000.6570	187	92.0000.6663	172
92.0000.6372	21	92.0000.6454	112	92.0000.6571	187	92.0000.6664	172
92.0000.6373	21	92.0000.6455	112	92.0000.6572	187	92.0000.6671	88
92.0000.6374	21	92.0000.6456	199	92.0000.6573	187	92.0000.6692	78
92.0000.6375	25	92.0000.6468	121	92.0000.6574	187	92.0000.6694	78
92.0000.6375	27	92.0000.6469	128	92.0000.6580	146	92.0000.6704	147
92.0000.6376	25	92.0000.6476	151	92.0000.6581	145	92.0000.6714	122
92.0000.6376	27	92.0000.6493	102	92.0000.6598	100	92.0000.6721	155
92.0000.6377	25	92.0000.6512	121	92.0000.6599	110	92.0000.6731	79
92.0000.6378	25	92.0000.6513	126	92.0000.6600	110	92.0000.6762	107
92.0000.6379	25	92.0000.6514	150	92.0000.6601	110	92.0000.6857	104
92.0000.6380	25	92.0000.6515.	150	92.0000.6612	88	92.0000.6867	67
92.0000.6381	25	92.0000.6528	47	92.0000.6613	88	92.0000.6877	17
92.0000.6382	25	92.0000.6529	47	92.0000.6614	88	92.0000.6877	28
92.0000.6383	21	92.0000.6530	79	92.0000.6615	88	92.0000.6877	32
92.0000.6384	21	92.0000.6530	79	92.0000.6619	19	92.0000.6877	46
92.0000.6385	21	92.0000.6544	144	92.0000.6620	19	92.0000.6883	128
92.0000.6386	21	92.0000.6550	53	92.0000.6621	45	92.0000.6897	106
92.0000.6387	21	92.0000.6551	53	92.0000.6622	45	92.0000.6898	106
92.0000.6388	21	92.0000.6552	53	92.0000.6623	146	92.0000.6899	106

# INDEX BPW

## Index BPW Article-No.

ARTICLE NO.	PAGE	ARTICLE NO.	PAGE	ARTICLE NO.	PAGE	ARTICLE NO.	PAGE
92.0000.6918	118	92.0000.7322	201	92.0000.7556	46	92.0000.7614	164
92.0000.6919	118	92.0000.7322	201	92.0000.7557	53	92.0000.7615	164
92.0000.6937	35	92.0000.7347	17	92.0000.7558	106	92.0000.7616	164
92.0000.6953	159	92.0000.7348	17	92.0000.7559	65	92.0000.7617	164
92.0000.6986	126	92.0000.7362	151	92.0000.7559	68	92.0000.7627	167
92.0000.6987	146	92.0000.7371	203	92.0000.7560	127	92.0000.7627	169
92.0000.6988	153	92.0000.7372	203	92.0000.7564	158	92.0000.7632	177
92.0000.6989	153	92.0000.7376	22	92.0000.7565	159	92.0000.7632	180
92.0000.7007	53	92.0000.7377	22	92.0000.7566	198	92.0000.7653	31
92.0000.7039	46	92.0000.7387	142	92.0000.7567	198	92.0000.7655	31
92.0000.7040	46	92.0000.7396	76	92.0000.7569	74	92.0000.7657	31
92.0000.7042	129	92.0000.7403	133	92.0000.7570	74	92.0000.7659	31
92.0000.7046	125	92.0000.7404	136	92.0000.7571	74	92.0000.7661	31
92.0000.7047	125	92.0000.7445	68	92.0000.7572	74	92.0000.7667	69
92.0000.7050	57	92.0000.7446	68	92.0000.7573	74	92.0000.7668	32
92.0000.7051	57	92.0000.7469	165	92.0000.7574	74	92.0000.7670	32
92.0000.7060	144	92.0000.7469	168	92.0000.7575	74	92.0000.7671	32
92.0000.7115	102	92.0000.7475	41	92.0000.7576	74	92.0000.7672	79
92.0000.7116	173	92.0000.7476	41	92.0000.7577	75	92.0000.7673	79
92.0000.7122	80	92.0000.7479	37	92.0000.7578	75	92.0000.7674	79
92.0000.7128	80	92.0000.7481	129	92.0000.7579	75	92.0000.7675	177
92.0000.7141	177	92.0000.7483	120	92.0000.7580	75	92.0000.7675	183
92.0000.7141	186	92.0000.7490	58	92.0000.7581	75	92.0000.7676	121
92.0000.7148	139	92.0000.7490	165	92.0000.7582	75	92.0000.7677	155
92.0000.7168	53	92.0000.7490	165	92.0000.7583	75	92.0000.7678	155
92.0000.7169	53	92.0000.7494	76	92.0000.7584	75	92.0000.7691	199
92.0000.7176	202	92.0000.7522	65	92.0000.7604	177	92.0000.7692	199
92.0000.7204	35	92.0000.7523	65	92.0000.7604	182	92.0000.7693	199
92.0000.7205	106	92.0000.7523	65	92.0000.7605	177	92.0000.7710	135
92.0000.7215	79	92.0000.7524	76	92.0000.7605	185	92.0000.7720	76
92.0000.7236	85	92.0000.7528	165	92.0000.7606	172	92.0000.7726	128
92.0000.7246	23	92.0000.7528	168	92.0000.7608	163	92.0000.7731	165
92.0000.7247	23	92.0000.7540	22	92.0000.7609	163	92.0000.7732	122
92.0000.7251	79	92.0000.7541	22	92.0000.7610	163	92.0000.7746	199
92.0000.7272	132	92.0000.7553	35	92.0000.7611	163	92.0000.7747	199
92.0000.7312	158	92.0000.7554	35	92.0000.7612	163	92.0000.7788	21
92.0000.7321	200	92.0000.7555	35	92.0000.7613	164	92.0000.7789	21

# INDEX BPW

## Index BPW Article-No.

ARTICLE NO.	PAGE	ARTICLE NO.	PAGE	ARTICLE NO.	PAGE	ARTICLE NO.	PAGE
92.0000.7790	21	95.0000.0005	57				
92.0000.7791	21	95.0000.0006	57				
92.0000.7799	147	95.0000.0013	41				
92.0000.7800	202	95.0000.0014	41				
92.0000.7801	202	95.0000.0014	41				
92.0000.7802	202	95.0000.0014	41				
92.0000.7814	202	95.0000.0017	67				
92.0000.7825	97	95.0000.0084	17				
92.0000.7826	97	95.0000.0086	57				
92.0000.7827	98	95.0000.0087	57				
92.0000.7828	98	95.0000.0089	67				
92.0000.7829	98	95.0000.0090	67				
92.0000.7830	99	95.0000.0091	67				
92.0000.7831	99	95.0000.0093	67				
92.0000.7832	99						
92.0000.7833	99						
92.0000.7834	96						
92.0000.7835	96						
92.0000.7850	138						
92.0000.7869	200						
92.0000.7870	201						
92.0000.7876	77						
92.0000.7877	77						
92.0000.7878	77						
92.0000.7903	167						
92.0000.7913	53						
92.0000.7952	165						
92.0000.7952	165						
92.0000.7953	124						
92.0000.7984	166						
92.0000.7999	86						
92.0000.8000	86						
92.0000.8001	86						
92.0000.8141	102						
95.0000.0001	17						
95.0000.0003	67						
95.0000.0004	67						

Brands of the BPW Group:



**ERMAX**®



**HESTAL**®



February 2020 • Version 6.3

 **ERMAX**®  
"Light Made Heavy Duty"

ERMAX A/S  
Vranderupvej 2 • DK-6000 Kolding  
Bjerringbrovej 116 • DK-2610 Rødovre  
Tel. +45 3969 6800 • [www.ermak.dk](http://www.ermak.dk)