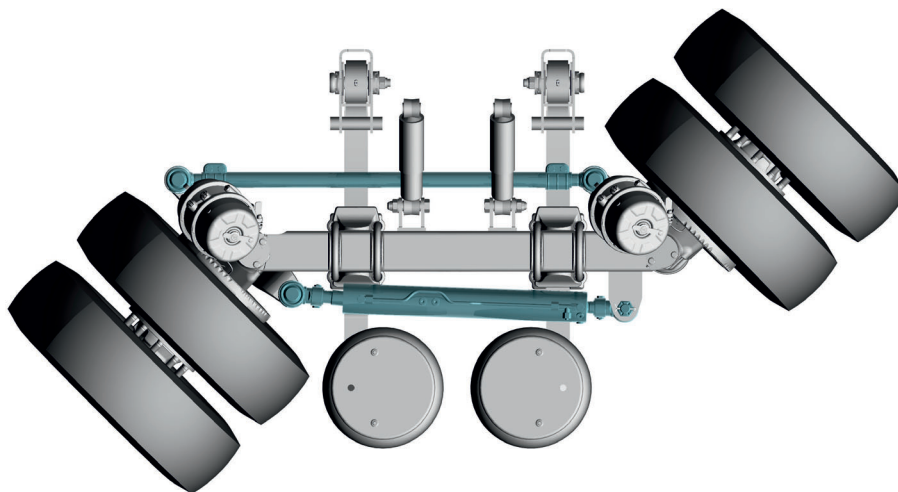




## The new BPW steering axles for electro hydraulic steering systems

BPW has recently optimized the steering axles which will be used for the adaption to the electro hydraulic steering systems. The steering axles have been improved regarding maintenance, quality and weight. The optimized axles will be available together with the new AL-suspensions from March 2017.



### The main product features and customer benefits are:

- › Higher lifetime thanks to usage of draglink with maintenance free ball pivots.
- › The axles will be supplied already with welded cylinder holders. For this reason, it is not necessary to make some additional welding operations on axle beams, which will ensure surface corrosion protection through the existing high quality KTL<sub>Zn</sub>-coating.
- › More pay load thanks to weight reduction of 4.5 kg per axle by single leaf trailing arm and up to 31.5 kg per axle by double leaf trailing arm respectively
- › Optimum maneuverability though the large steering angle up to 45 degrees by axle series NMZFL 12010
- › Now with 5+3 years ECO Plus (\*) warranty for M...L and N...L series and 3 years' warranty for brake cylinder, shock absorber and air bag
- › ECO Drum brake for N...L 12010 series with quick release brake shoes



\* see warranty documents ECO Plus - axle systems with air suspensions (BPW-GD-ECO Plus 39091702e)  
[www.bpw.de/service/downloads.html](http://www.bpw.de/service/downloads.html)



## The new BPW steering axles portfolio special for electro hydraulic steering systems

Suspension	Brake	Series	Axle load	Bearing	Track <sup>1)</sup>	Min. FM	Steering angle LE	Length of steering cylinder L
ALU	SN 3020	NMZFL	12 t	ECO Plus	2,320	1,050	32°	1,115 mm
					1,990	600	34° - 45°	
					1,990	690	24° - 34°	
					1,945	640	23° - 34°	
	SN 3620	KMZFL	12 t	ECO MAXX	1,925	570	22° - 34°	1,025 mm
SN 4220	MZFL	11.8 t	ECO Plus	2,290	960	30°		
ALM / ALO	SN 4218	MSFL	9 t	ECO Plus	2,040	840	25° - 34°	1,025 mm
					2,100	900		
	SN 4220	MSFL	11.8 t	ECO Plus	2,040	790		
					2,100	850		
					2,135	880		
MZFL	11.8 t	ECO Plus	2,170	880	30°	1,025 mm		

<sup>1)</sup> Additional versions on request

For further information, please contact your BPW sales representative.